


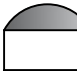
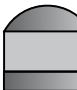
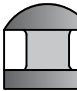


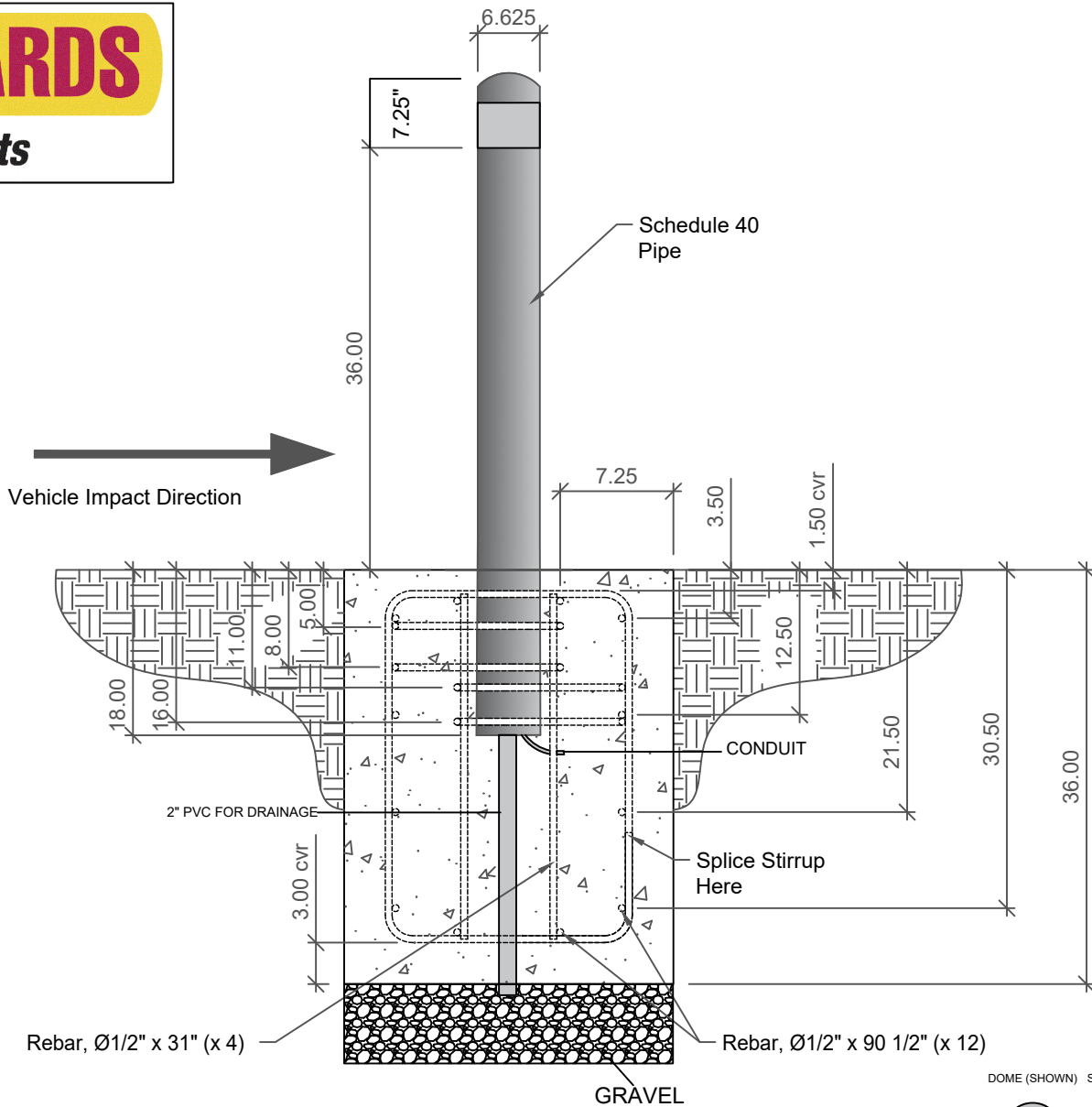


# 1-800-BOLLARDS

The Bollard Experts

- SELECT DESIRED MATERIAL: (6" NOMINAL SIZE)
  - FCST06040 SCH 40 STAINLESS STEEL
  - FCST06040 SCH 40 ASTM A-53 CARBON STEEL
- SELECT DESIRED STAINLESS STEEL BOLLARD FINISH:
  - POLISHED #4 FINISH
  - AS SPECIFIED \_\_\_\_\_
- SELECT DESIRED CARBON STEEL BOLLARD FINISH:
  - POWDERCOAL RAL # \_\_\_\_\_
  - AS SPECIFIED \_\_\_\_\_
- SELECT DESIRED STAINLESS STEEL BOLLARD MATERIAL:
  - TYPE 304
  - TYPE 316
- SELECT DESIRED BOLLARD CAP STYLE:
  -  DOME (SHOWN)
  -  STANDARD FLAT
  -  SLOPED
- LENS SELECTION
  - CLEAR 
  - FROSTED 
  - INTERNAL FROSTED 
  - PARACLINE 
  - LOUVER 
- WATTAGE
  - 5W 16LEDS 100mA
  - 8W 16LEDS 175mA
  - 12W 16LEDS 250mA
- CCT
  - COOL
  - NEUTRAL
  - WARM
- VOLTAGE
  - 120-277VAC
  - 120V



Vehicle Impact Direction

END VIEW-FOUNDATION

REVISIONS			
LTR	DESCRIPTION	DATE	APPVD

SPECIFICATIONS	
HEIGHT:	36"
DIAMETER:	6.625"
WALL THICKNESS:	0.280"

DOME (SHOWN) STANDARD FLAT SLOPED



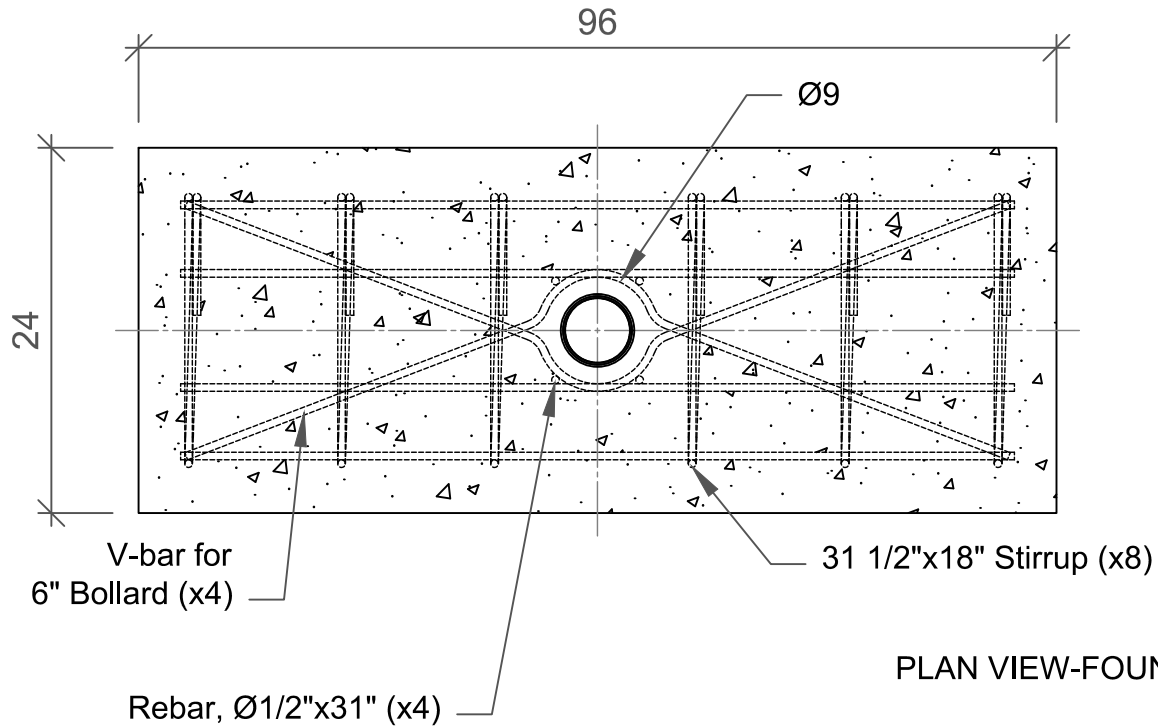
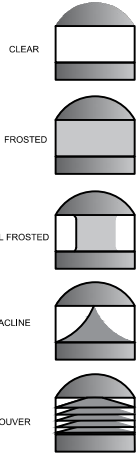
APPLICATION		1-800-BOLLARDS, Inc.	
NEXT ASSY	USED ON	IRVINE, CA 92618	BOLLARD, CT FIXED
		PHONE: 1-800-BOLLARDS	
		WEB: WWW.1800BOLLARDS.COM	
		EMAIL: INFO@1800BOLLARDS.COM	

1. INSTALLATION TO BE COMPLETED IN ACCORDANCE WITH MANUFACTURER'S SPECIFICATIONS.  
 2. DO NOT SCALE DRAWING.  
 3. THIS DRAWING IS PROVIDED FOR INFORMATION ONLY. IT IS NOT TO BE USED FOR CONSTRUCTION.  
 4. ALL INFORMATION CONTAINED HEREIN WAS CURRENT AT THE TIME OF DEVELOPMENT BUT MUST BE REVIEWED AND APPROVED BY THE PRODUCT MANUFACTURER TO BE CURRENT.  
 5. CONTRACTOR'S NOTE FOR PRODUCT AND COMPANY INFORMATION VISIT WWW.CADSWISS.COM AND ENTER REFERENCE NUMBER 50487.

# 1-800-BOLLARDS

The Bollard Experts

- SELECT DESIRED MATERIAL: (6" NOMINAL SIZE)
  - FCST06040 SCH 40 STAINLESS STEEL
  - FCST06040 SCH 40 ASTM A-53 CARBON STEEL
- SELECT DESIRED STAINLESS STEEL BOLLARD FINISH:
  - POLISHED #4 FINISH
  - AS SPECIFIED \_\_\_\_\_
- SELECT DESIRED CARBON STEEL BOLLARD FINISH:
  - POWDERCOAL RAL # \_\_\_\_\_
  - AS SPECIFIED \_\_\_\_\_
- SELECT DESIRED STAINLESS STEEL BOLLARD MATERIAL:
  - TYPE 304
  - TYPE 316
- SELECT DESIRED BOLLARD CAP STYLE:
  - DOME (SHOWN)
  - STANDARD FLAT
  - SLOPED
- LENS SELECTION
  - CLEAR
  - FROSTED
  - INTERNAL FROSTED
  - PARACLINE SILVER
  - PARACLINE WHITE
  - LOUVER GREY
  - LOUVER WHITE
- WATTAGE
  - 5W 16LEDS 100mA
  - 8W 16LEDS 175mA
  - 12W 16LEDS 250mA
- CCT
  - COOL
  - NEUTRAL
  - WARM
- VOLTAGE
  - 120-277VAC
  - 120V

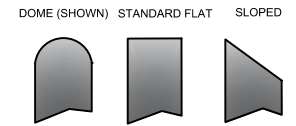


PLAN VIEW-FOUNDATION

REVISIONS			
LTR	DESCRIPTION	DATE	APP
COMMENTS			

**SPECIFICATIONS**

HEIGHT: 36"  
 DIAMETER: 6.625"  
 WALL THICKNESS: 0.280"



SERIES NUMBER: XX-S060-XX	SIZE CODE: GNGJ8	USE: 8" CT FIXED
PRODUCT FAMILY: 20 MPH CRASH TESTED	DRAWN BY: AJA	DRAWING REV: SHEET 1 OF 1
PRODUCT CLASS: STANDARD OR CUSTOMER DEFINED	CREATED BY:	APPROVED BY:
PRODUCT LINE: BOLLARD	PRODUCT SUB LINE: FIXED	RELEASE DATE:
1-800-BOLLARDS, Inc. 10 Hughes Suite 1100 Irvine, CA 92618 PHONE: 1-800-BOLLARDS WEB: WWW.1800BOLLARDS.COM EMAIL: INFO@1800BOLLARDS.COM		TITLE: BOLLARD, CT FIXED

APPLICATION	
NEXT ASBY	USED IN

1. THIS DRAWING IS TO BE CONSIDERED IN ACCORDANCE WITH MANUFACTURER'S SPECIFICATIONS.  
 2. THE USER SHALL BE RESPONSIBLE FOR OBTAINING ALL NECESSARY PERMITS AND APPROVALS.  
 3. THE USER SHALL BE RESPONSIBLE FOR OBTAINING ALL NECESSARY PERMITS AND APPROVALS.  
 4. ALL DIMENSIONS TO CENTER UNLESS NOTED OTHERWISE.  
 5. CONTRACTOR SHALL BE RESPONSIBLE FOR OBTAINING ALL NECESSARY PERMITS AND APPROVALS.  
 6. CONTRACTOR SHALL BE RESPONSIBLE FOR OBTAINING ALL NECESSARY PERMITS AND APPROVALS.  
 7. CONTRACTOR SHALL BE RESPONSIBLE FOR OBTAINING ALL NECESSARY PERMITS AND APPROVALS.  
 8. CONTRACTOR SHALL BE RESPONSIBLE FOR OBTAINING ALL NECESSARY PERMITS AND APPROVALS.  
 9. CONTRACTOR SHALL BE RESPONSIBLE FOR OBTAINING ALL NECESSARY PERMITS AND APPROVALS.  
 10. CONTRACTOR SHALL BE RESPONSIBLE FOR OBTAINING ALL NECESSARY PERMITS AND APPROVALS.

# 1-800-BOLLARDS

**The Bollard Experts**

REVISIONS			
LTR	DESCRIPTION	DATE	APP'VD

SPECIFICATIONS	
HEIGHT:	36"
DIAMETER:	6.625"
WALL THICKNESS:	0.280"

- SELECT DESIRED MATERIAL:  
(6" NOMINAL SIZE)
  - FCSCT06040 SCH 40 STAINLESS STEEL
  - FCSCT06040 SCH 40 ASTM A-53 CARBON STEEL
- SELECT DESIRED STAINLESS STEEL BOLLARD FINISH:
  - POLISHED #4 FINISH
  - AS SPECIFIED \_\_\_\_\_

- SELECT DESIRED CARBON STEEL BOLLARD FINISH:
  - POWDERCOAL RAL # \_\_\_\_\_
  - AS SPECIFIED \_\_\_\_\_

- SELECT DESIRED STAINLESS STEEL BOLLARD MATERIAL:
  - TYPE 304
  - TYPE 316

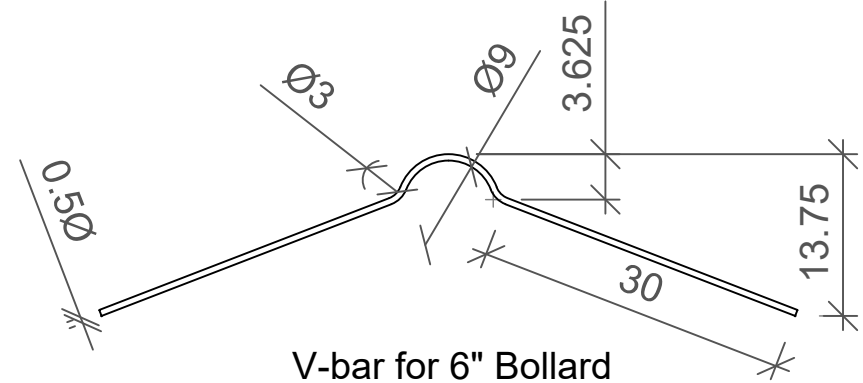
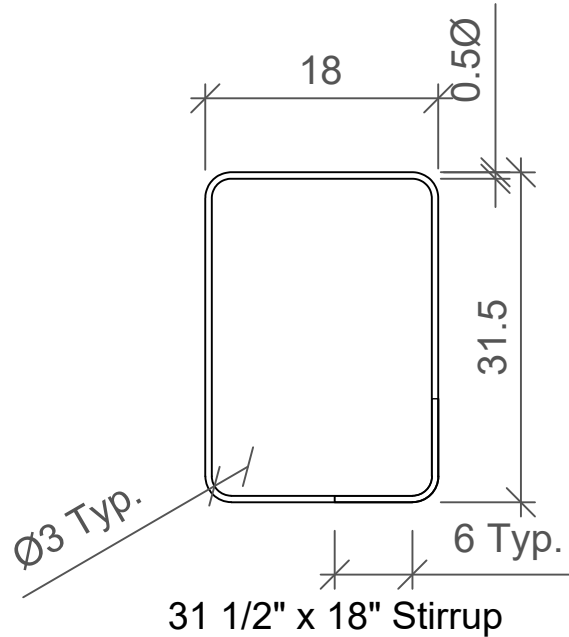
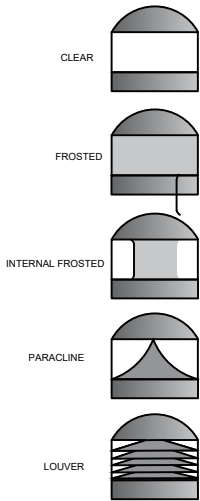
- SELECT DESIRED BOLLARD CAP STYLE:
  - DOME (SHOWN)
  - STANDARD FLAT
  - SLOPED

- LENS SELECTION
  - CLEAR
  - FROSTED
  - INTERNAL FROSTED
  - PARACLINE SILVER
  - PARACLINE WHITE
  - LOUVER GREY
  - LOUVER WHITE

- WATTAGE
  - 5W 16LEDS 100mA
  - 8W 16LEDS 175mA
  - 12W 16LEDS 250mA

- CCT
  - COOL
  - NEUTRAL
  - WARM

- VOLTAGE
  - 120-277VAC
  - 120V



DOME (SHOWN)    STANDARD FLAT    SLOPED



APPLICATION		SERIES NUMBER: XX-S060-XX	CAGE CODE: 6NGJ8	SIZE: 6" CT FIXED	DRAWING NUMBER: 6" CT FIXED
NEXT ASSY	USED ON	PRODUCT FAMILY: 20 MPH CRASH TESTED	PRODUCT CLASS: STANDARD OR CUSTOMER DEFINED	PRODUCT LINE: BOLLARD	DRAWN BY: AJA
		PRODUCT SUB LHM: FIXED	PRODUCT LINE: BOLLARD	CHECKED BY: [ ]	BRAVING REV: [ ]
		1-800-BOLLARDS, Inc. 10 Hughes Sutter Altds Irvine, CA 92618 PHONE: 1-800-BOLLARDS WEB: WWW.1800BOLLARDS.COM EMAIL: INFO@1800BOLLARDS.COM		APPROVED BY: [ ]	SHEET 1 OF 1
				TITLE: BOLLARD, CT FIXED	RELEASE DATE: [ ]

NOTES:  
1. REFERENCE TO BE COMPLETED IN ACCORDANCE WITH MANUFACTURER'S SPECIFICATIONS.  
2. DO NOT SCALE DRAWING.  
3. THIS DRAWING IS PROVIDED FOR USE BY ARCHITECTS, ENGINEERS, CONTRACTORS, CONSULTANTS AND DESIGN PROFESSIONALS FOR PLANNING PURPOSES ONLY. THIS DRAWING MAY NOT BE USED FOR CONSTRUCTION.  
4. ALL INFORMATION CONTAINED HEREIN WAS CURRENT AT THE TIME OF DEVELOPMENT BUT MUST BE REVIEWED AND APPROVED BY THE PRODUCT MANUFACTURER TO BE CURRENT FOR CONSTRUCTION.  
5. CONTRACTOR'S NOTE FOR PRODUCT AND COMPANY INFORMATION VISIT WWW.CADSWAN.COM AND ENTER REFERENCE NUMBER SHOWN.