



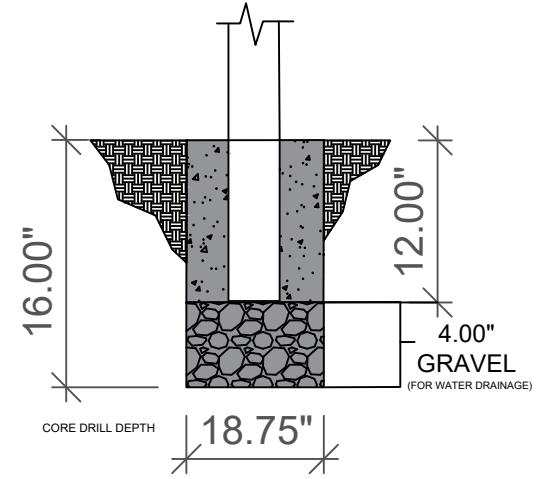
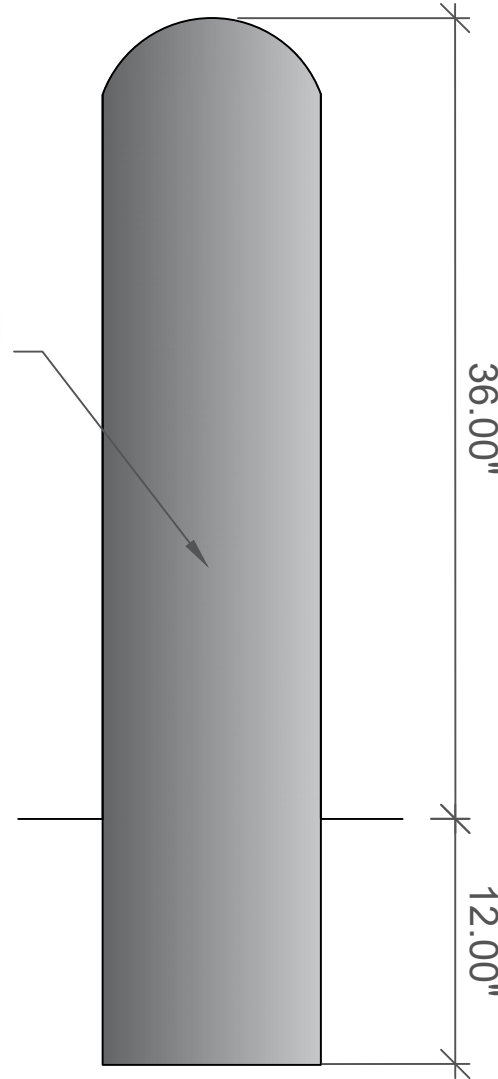
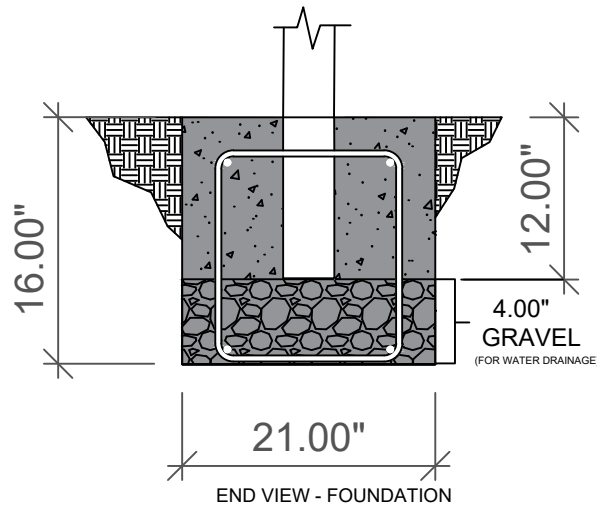


1-800-BOLLARDS

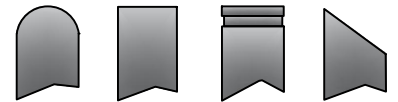
The Bollard Experts

- SELECT DESIRED MATERIAL:
(12" NOMINAL SIZE)
- FSS12000 SCH 10 STAINLESS STEEL
 - FSS12040 SCH 40 STAINLESS STEEL
 - FSS12080 SCH 80 STAINLESS STEEL
 - FCS12040 SCH 40 ASTM A-53 CARBON STEEL
 - FCS12080 SCH 80 ASTM A-53 CARBON STEEL
- SELECT DESIRED STAINLESS STEEL BOLLARD FINISH:
- POLISHED #4 FINISH
 - AS SPECIFIED _____
- SELECT DESIRED CARBON STEEL BOLLARD FINISH:
- POWDER COAT RAL # _____
 - AS SPECIFIED _____
- SELECT DESIRED STAINLESS STEEL BOLLARD MATERIAL:
- TYPE 304
 - TYPE 316
- SELECT DESIRED BOLLARD CAP STYLE:
-  DOME (SHOWN)
 -  STANDARD FLAT
 -  REVEAL
 -  SLOPED

Fixed Bollard



DOMES (SHOWN) STANDARD FLAT REVEAL SLOPED



REVISIONS			
LTR	DESCRIPTION	DATE	APPVD
COMMENTS			
SPECIFICATIONS			
HEIGHT: 36"			
DIAMETER: 12.75"			
WALL THICKNESS: 0.280" SCHED 40			

1. INSTALLATION TO BE COMPLETED IN ACCORDANCE WITH MANUFACTURER'S SPECIFICATIONS.
2. DO NOT SCALE DRAWING.
3. THIS DRAWING IS INTENDED FOR USE BY ARCHITECTS, ENGINEERS, CONTRACTORS, CONSULTANTS AND DESIGN PROFESSIONALS FOR PLANNING PURPOSES ONLY. THIS DRAWING MAY NOT BE USED FOR CONSTRUCTION.
4. ALL INFORMATION CONTAINED HEREIN WAS CURRENT AT THE TIME OF DEVELOPMENT BUT MUST BE REVIEWED AND APPROVED BY THE PRODUCT MANUFACTURER TO BE CONSIDERED ACCURATE.
5. CONTRACTOR'S NOTE FOR PRODUCT AND COMPANY INFORMATION VISIT www.cadmate.com/info AND ENTER REFERENCE NUMBER 504607.

APPLICATION		SERIES NUMBER		CAGE CODE		REV		DRAWING NUMBER	
NEXT ASSY	USED ON	1-800-BOLLARDS, Inc.	6NGJB	6	6N	6N	6N	6N	6N
		10 Hughes Suite A105							
		Irvine, CA 92618							
		PHONE: 1-800-BOLLARDS							
		WEB: WWW.1800BOLLARDS.COM							
		EMAIL: INFO@1800BOLLARDS.COM							
		TITLE							
		BOLLARD, FIXED							