

1-800-BOLLARDS

The Bollard Experts

SELECT DESIRED MATERIAL:
(6" NOMINAL SIZE)

- BSS06000 SCH 10 STAINLESS STEEL
- BSS06040 SCH 40 STAINLESS STEEL
- BSS06080 SCH 80 STAINLESS STEEL
- BCS06040 SCH 40 ASTM A-53 CARBON STEEL
- BCS06080 SCH 80 ASTM A-53 CARBON STEEL

SELECT DESIRED STAINLESS STEEL BOLLARD FINISH:

- POLISHED #4 FINISH
- AS SPECIFIED _____

SELECT DESIRED CARBON STEEL BOLLARD FINISH:

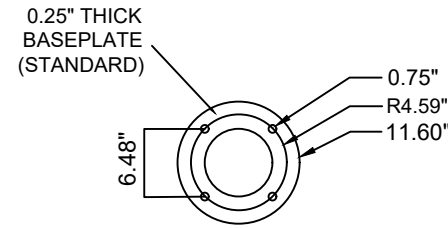
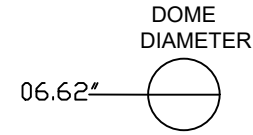
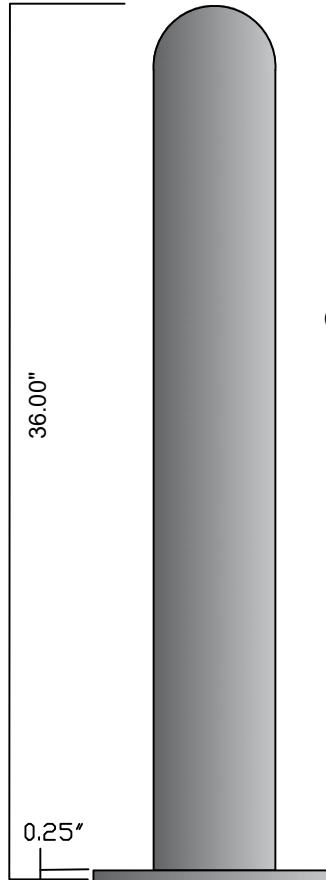
- POWDER COAT RAL # _____
- AS SPECIFIED _____

SELECT DESIRED STAINLESS STEEL BOLLARD MATERIAL:

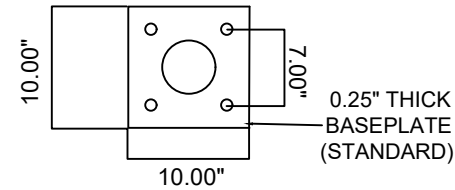
- TYPE 304
- TYPE 316

SELECT DESIRED BOLLARD CAP STYLE:

-  DOME (SHOWN)
-  STANDARD FLAT
-  REVEAL
-  SLOPED



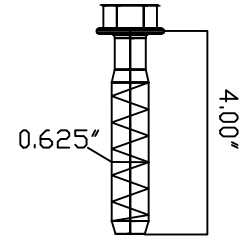
PLAN VIEW - BASE PLATE
(USED ON STAINLESS STEEL BOLLARD)



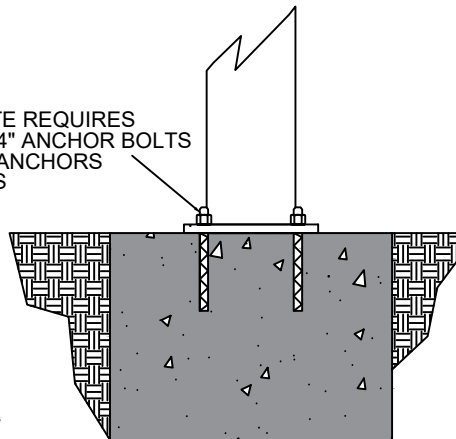
PLAN VIEW - BASE PLATE
(USED ON CARBON STEEL BOLLARD)

REVISIONS			
LTR	DESCRIPTION	DATE	APPVD
COMMENTS			
SPECIFICATIONS			
HEIGHT: 36"			
DIAMETER: 6.62"			
WALL THICKNESS: 0.280" SCHED 40			

ALTERNATE INSTALL METHOD



BASE PLATE REQUIRES
(4) 0.625"X 4" ANCHOR BOLTS
OR CINCH ANCHORS
BY OTHERS



END VIEW - FOUNDATION

DOME (SHOWN) STANDARD FLAT REVEAL SLOPED



NOTES:
1. INSTALLATION TO BE COMPLETED IN ACCORDANCE WITH MANUFACTURER'S SPECIFICATIONS.
2. DO NOT SCALE DRAWING.
3. THIS DRAWING IS INTENDED FOR USE BY ARCHITECTS, ENGINEERS, CONTRACTORS, CONSULTANTS AND DESIGN PROFESSIONALS FOR PLANNING PURPOSES ONLY. THIS DRAWING MAY NOT BE USED FOR CONSTRUCTION.
4. ALL INFORMATION CONTAINED HEREIN WAS CURRENT AT THE TIME OF DEVELOPMENT BUT MUST BE REVIEWED AND APPROVED BY THE PRODUCT MANUFACTURER TO BE CONSIDERED ACCURATE.
5. CONTRACTOR'S NOTE: FOR PRODUCT AND COMPANY INFORMATION VISIT www.CADdetails.com/info AND ENTER REFERENCE NUMBER 5048-027.

APPLICATION	
NEXT ASSY	USED ON

SERIES NUMBER: YX-S060-XX	CAGE CODE: 6NGJB	REV:	DRAWING NUMBER: 6in Cutsheet Size A - R1
PRODUCT FAMILY: FIXED BOLLARD	DRAWN BY: AJA	DRAWING REV:	
PRODUCT CLASS: STANDARD OR CUSTOMER DEFINED	CHECKED BY:	SHEET: 1 OF 1	
PRODUCT LINE: BOLLARD	APPROVED BY:	RELEASE DATE:	
PRODUCT SUB LINE: BASEPLATE	TITLE: BOLLARD, BASEPLATE		
1-800-BOLLARDS, Inc. 10 Hughes Suite A105 Irvine, CA 92618 PHONE: 1-800-BOLLARDS WEB: www.1800BOLLARDS.COM EMAIL: INFO@1800BOLLARDS.COM			