



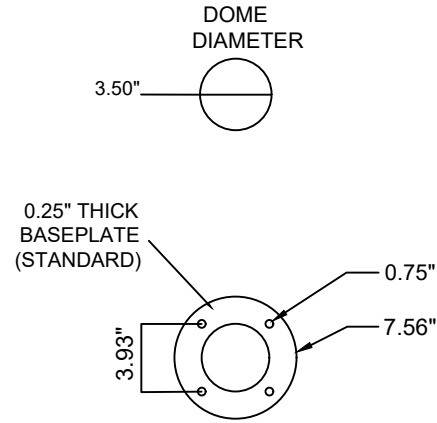
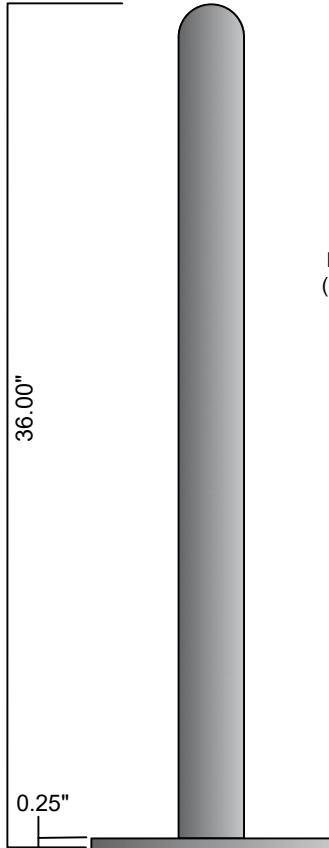


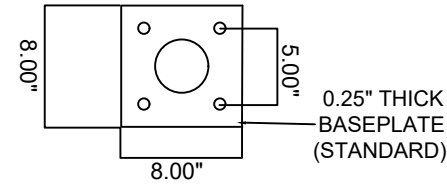
# 1-800-BOLLARDS

The Bollard Experts

- SELECT DESIRED MATERIAL:  
(3" NOMINAL SIZE)
- BSS03000 SCH 10 STAINLESS STEEL  
 BSS03040 SCH 40 STAINLESS STEEL  
 BSS03080 SCH 80 STAINLESS STEEL  
 BCS03040 SCH 40 ASTM A-53 CARBON STEEL  
 BCS03080 SCH 80 ASTM A-53 CARBON STEEL
- SELECT DESIRED STAINLESS STEEL BOLLARD FINISH:
- POLISHED #4 FINISH  
 AS SPECIFIED \_\_\_\_\_
- SELECT DESIRED CARBON STEEL BOLLARD FINISH:
- POWDER COAT RAL # \_\_\_\_\_  
 AS SPECIFIED \_\_\_\_\_
- SELECT DESIRED STAINLESS STEEL BOLLARD MATERIAL:
- TYPE 304  
 TYPE 316
- SELECT DESIRED BOLLARD CAP STYLE:
-  DOME (SHOWN)  
  STANDARD FLAT  
  REVEAL  
  SLOPED



PLAN VIEW - BASE PLATE  
(USED ON STAINLESS STEEL BOLLARD)



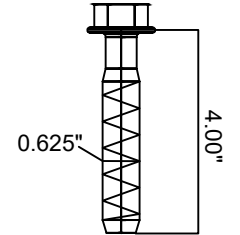
PLAN VIEW - BASE PLATE  
(USED ON CARBON STEEL BOLLARD)

REVISIONS			
LTR	DESCRIPTION	DATE	APPV'D

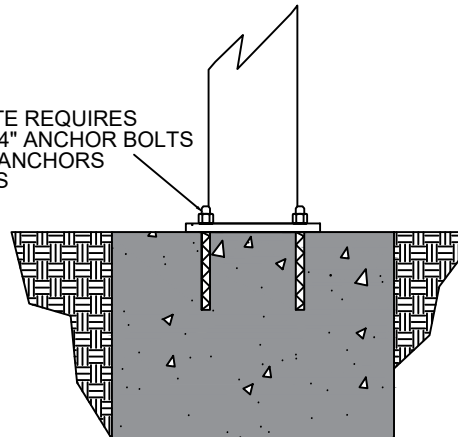
COMMENTS

SPECIFICATIONS  
 HEIGHT: 36"  
 DIAMETER: 3.50"  
 WALL THICKNESS: 0.280" SCHED 40

ALTERNATE INSTALL METHOD



BASE PLATE REQUIRES  
(4) 0.625"X 4" ANCHOR BOLTS  
OR CINCH ANCHORS  
BY OTHERS



END VIEW - FOUNDATION

DOME (SHOWN) STANDARD FLAT REVEAL SLOPED



NOTES:  
 1. INSTALLATION TO BE COMPLETED IN ACCORDANCE WITH MANUFACTURER'S SPECIFICATIONS.  
 2. DO NOT SCALE DRAWING.  
 3. THIS DRAWING IS INTENDED FOR USE BY ARCHITECTS, ENGINEERS, CONTRACTORS, CONSULTANTS AND DESIGN PROFESSIONALS FOR PLANNING PURPOSES ONLY. THIS DRAWING MAY NOT BE USED FOR CONSTRUCTION.  
 4. ALL INFORMATION CONTAINED HEREIN WAS CURRENT AT THE TIME OF DEVELOPMENT BUT MUST BE REVIEWED AND APPROVED BY THE PRODUCT MANUFACTURER TO BE CONSIDERED ACCURATE.  
 5. CONTRACTOR'S NOTE: FOR PRODUCT AND COMPANY INFORMATION VISIT [www.CADetails.com/info](http://www.CADetails.com/info) AND ENTER REFERENCE NUMBER 5046-027.

APPLICATION	
NEXT ASSY	USED ON

SERIES NUMBER: <b>XX-S060-XX</b>	CAGE CODE: <b>6NGJB</b>	REV: <b> </b>	DRAWING NUMBER: <b>6th Cutsheet Size A - R1</b>
PRODUCT FAMILY: <b>FIXED BOLLARD</b>	DRAWN BY: <b>AJA</b>	DRAWING REV: <b> </b>	
PRODUCT CLASS: <b>STANDARD OR CUSTOMER DEFINED</b>	CHECKED BY: <b> </b>	SHEET: <b>1 OF 1</b>	
PRODUCT LINE: <b>BOLLARD</b>	APPROVED BY: <b> </b>	RELEASE DATE: <b> </b>	
PRODUCT SUB LINE: <b>BASEPLATE</b>	1-800-BOLLARDS, Inc. 10 Hughes Suite A103 Irvine, CA 92618 PHONE: 1-800-BOLLARDS WEB: <a href="http://www.1800BOLLARDS.COM">www.1800BOLLARDS.COM</a> EMAIL: <a href="mailto:INF@1800BOLLARDS.COM">INF@1800BOLLARDS.COM</a>		TITLE: <b>BOLLARD, BASEPLATE</b>