

1-800-BOLLARDS

The Bollard Experts

SELECT DESIRED MATERIAL:
(10" NOMINAL SIZE)

- RSS10000 SCH 10 STAINLESS STEEL
- RSS10040 SCH 40 STAINLESS STEEL
- RSS10080 SCH 80 STAINLESS STEEL
- RCS10040 SCH 40 ASTM A-53 CARBON STEEL
- RCS10080 SCH 80 ASTM A-53 CARBON STEEL

SELECT DESIRED STAINLESS STEEL BOLLARD FINISH:

- POLISHED #4 FINISH
- AS SPECIFIED _____

SELECT DESIRED CARBON STEEL BOLLARD FINISH:

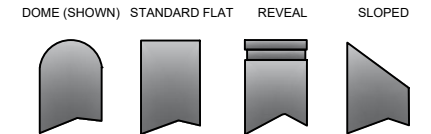
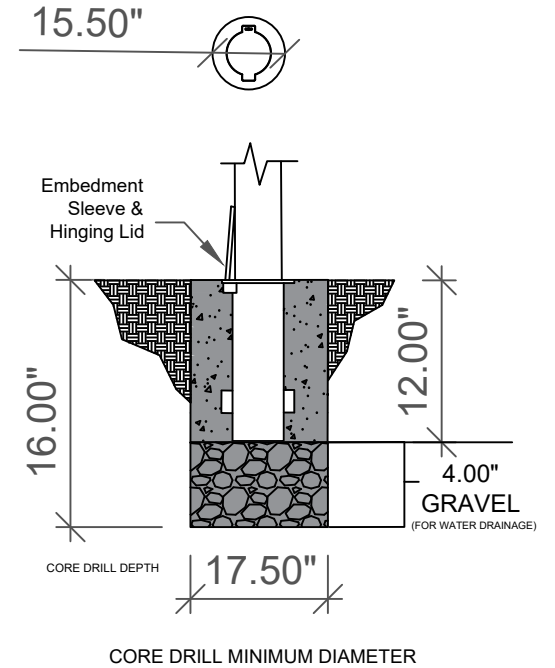
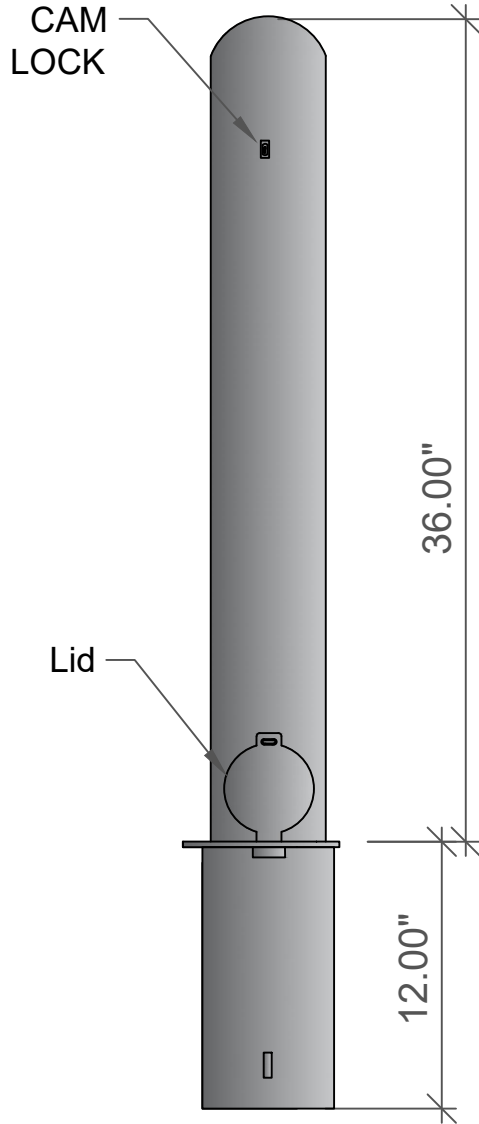
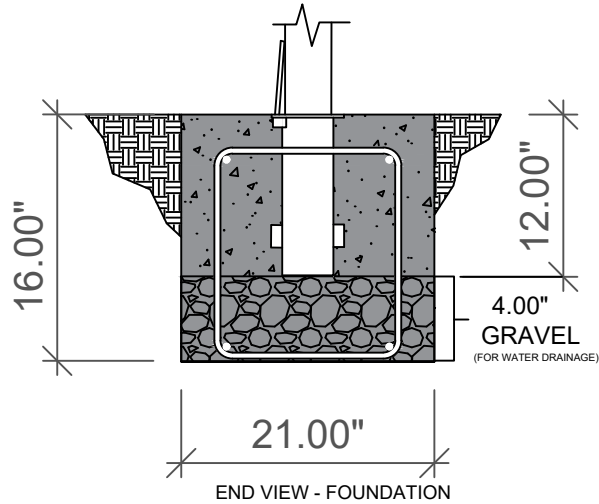
- POWDER COAT RAL # _____
- AS SPECIFIED _____

SELECT DESIRED STAINLESS STEEL BOLLARD MATERIAL:

- TYPE 304
- TYPE 316

SELECT DESIRED BOLLARD CAP STYLE:

-  DOME (SHOWN)
-  STANDARD FLAT
-  REVEAL
-  SLOPED



REVISIONS			
LTR	DESCRIPTION	DATE	APPVD
COMMENTS			
SPECIFICATIONS			
HEIGHT:	36"		
DIAMETER:	10.75"		
WALL THICKNESS:	0.280" SCHED 40		

ILLUSTRATION TO BE COMPLETED IN ACCORDANCE WITH MANUFACTURER'S SPECIFICATIONS.
NOT TO BE USED FOR CONSTRUCTION.
DRAWING IS INTENDED FOR USE BY ARCHITECTS, ENGINEERS, CONTRACTORS, CONSULTANTS AND DESIGN PROFESSIONALS FOR PLANNING PURPOSES ONLY. THIS DRAWING INFORMATION CONTAINED HEREIN WAS CURRENT AT THE TIME OF DEVELOPMENT BUT MUST BE REVIEWED AND APPROVED BY THE PRODUCT MANUFACTURER TO BE ENSURED ACCURATE.
FACTORY'S NOTE: FOR PRODUCT AND COMPANY INFORMATION VISIT www.CADSoft.com/info AND ENTER REFERENCE NUMBER 0946-027.

APPLICATION		NEXT ASSY	USED ON

SERIES NUMBER: XX-S060-XX	CAGE CODE: 6NGJB	REV: 	DRAWING NUMBER: REMOVABLE
PRODUCT FAMILY: REMOVABLE	DRAWN BY: AJA	CHECKED BY: 	DRIVING REV:
PRODUCT CLASS: STANDARD OR CUSTOMER DEFINED	PRODUCT LINE: BOLLARD	APPROVED BY: 	SHEET: 1 OF 1
PRODUCT SUB LINE: INTERNAL REMOVABLE	RELEASE DATE: 		
TITLE: BOLLARD, INTERNAL REMOVABLE			

1-800-BOLLARDS, Inc.			
10 Hughes Suite A105			
Irvine, CA 92618			
PHONE: 1-800-BOLLARDS			
WEB: www.1800BOLLARDS.COM			
EMAIL: info@1800BOLLARDS.COM			