

# 1-800-BOLLARDS

**The Bollard Experts**

8" M30 HIGH SECURITY DEEP MOUNT

FMCSR8080 (REMOVABLE)

CARBON STEEL

SELECT DESIRED CARBON STEEL BOLLARD FINISH:

- POWDER COAT RAL # \_\_\_\_\_
- AS SPECIFIED \_\_\_\_\_

COVER SELECTION

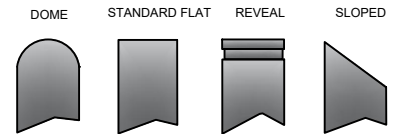
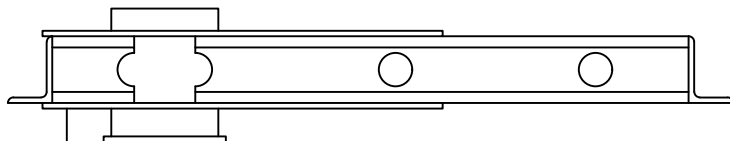
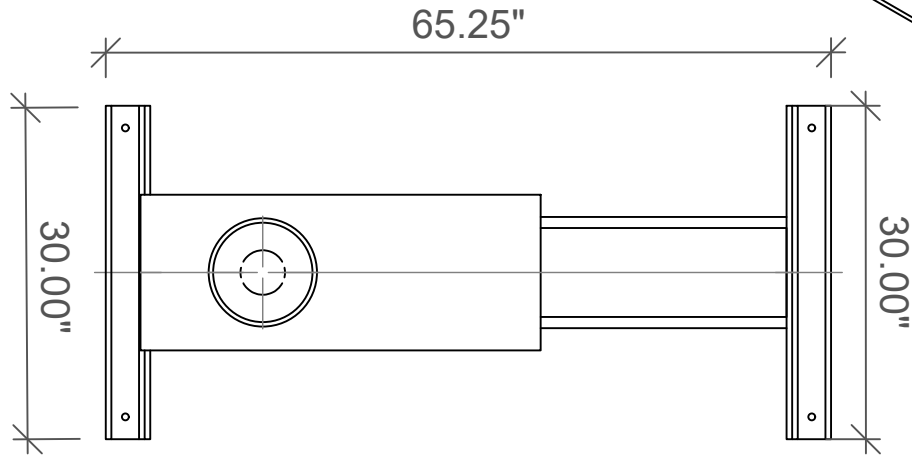
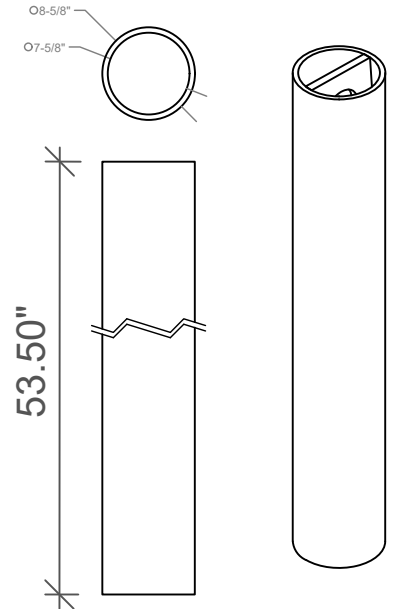
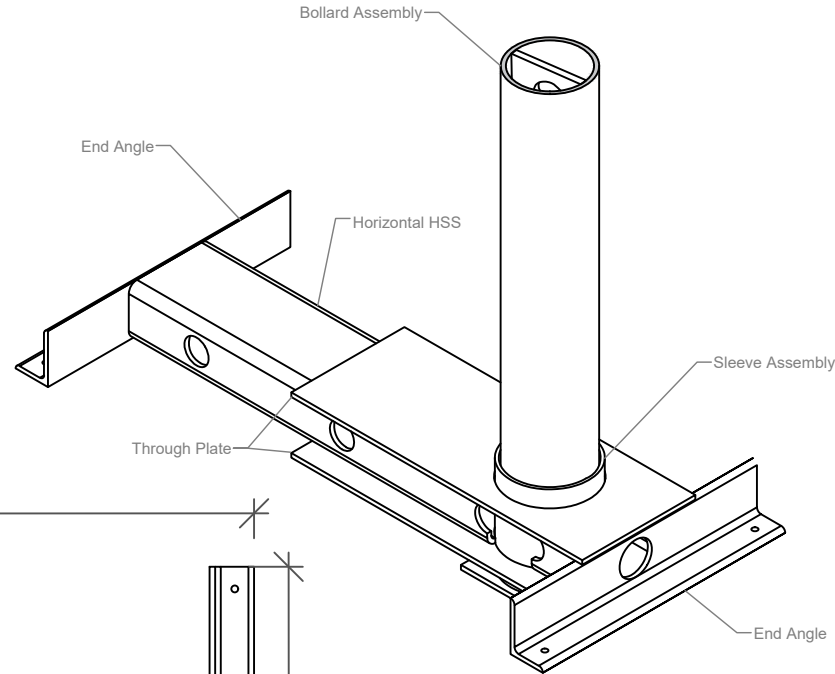
- 304 STAINLESS STEEL
- 316 STAINLESS STEEL

SELECT DESIRED BOLLARD CAP STYLE:

-  DOME
-  STANDARD FLAT
-  REVEAL
-  SLOPED

REVISIONS			
LTR	DESCRIPTION	DATE	APPVD

SPECIFICATIONS
HEIGHT: 42"
DIAMETER: 8.625"
WALL THICKNESS: 0.500"



APPLICATION		SERIES NUMBER: XX-S060-XX		CAGE CODE: 6NQJ8	SIZE: M30 SHALLOW MOUNT	DRAWING NUMBER: M30 SHALLOW MOUNT
NEXT ASSY	USED ON	PRODUCT FAMILY: M30 SHALLOW MOUNT	PRODUCT CLASS: STANDARD OR CUSTOMER DEFINED	DRAWN BY: AJA	CHECKED BY:	DRAWING REV: SHEET 1 OF 1
		PRODUCT LINE: BOLLARD	PRODUCT SUB LINE: REMOVABLE	APPROVED BY:	RELEASE DATE:	TITLE: BOLLARD, M30 SHALLOW MOUNT
		1-800-BOLLARDS, Inc. 10 Hughes Sutter ALDS Irvine, CA 92618 PHONE: 1-800-BOLLARDS WEB: WWW.1800BOLLARDS.COM EMAIL: INFO@1800BOLLARDS.COM				

1. DIMENSIONS TO BE COMPLETED IN ACCORDANCE WITH MANUFACTURER'S SPECIFICATIONS.  
 2. DO NOT SCALE DRAWING.  
 3. THIS DRAWING IS ANTICIPATED FOR USE BY ARCHITECTS, ENGINEERS, CONTRACTORS, CONSULTANTS AND DESIGN PROFESSIONALS FOR PLANNING PURPOSES ONLY. THIS DRAWING MAY NOT BE USED FOR CONSTRUCTION.  
 4. ALL INFORMATION CONTAINED HEREIN WAS CURRENT AT THE TIME OF DEVELOPMENT BUT MUST BE REVIEWED AND APPROVED BY THE PRODUCT MANUFACTURER TO BE CONSIDERED ACCURATE.  
 5. CONTACT YOUR SELLER FOR PRODUCT AND COMPANY INFORMATION VISIT WWW.1800BOLLARDS.COM AND ENTER REFERENCE NUMBER 1848-027.

# 1-800-BOLLARDS

The Bollard Experts

8" M30 HIGH SECURITY DEEP MOUNT

FMCSR8080 (REMOVABLE)

CARBON STEEL

SELECT DESIRED CARBON STEEL BOLLARD FINISH:

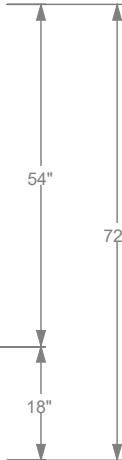
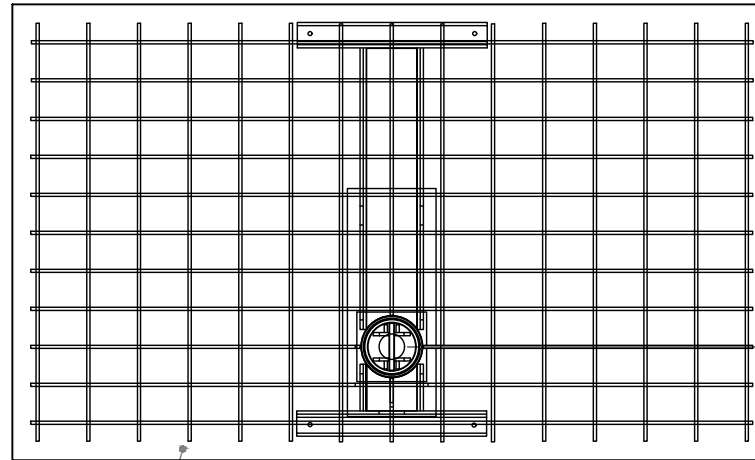
- POWDER COAT RAL # \_\_\_\_\_
- AS SPECIFIED \_\_\_\_\_

COVER SELECTION

- 304 STAINLESS STEEL
- 316 STAINLESS STEEL

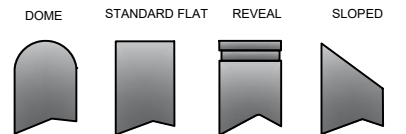
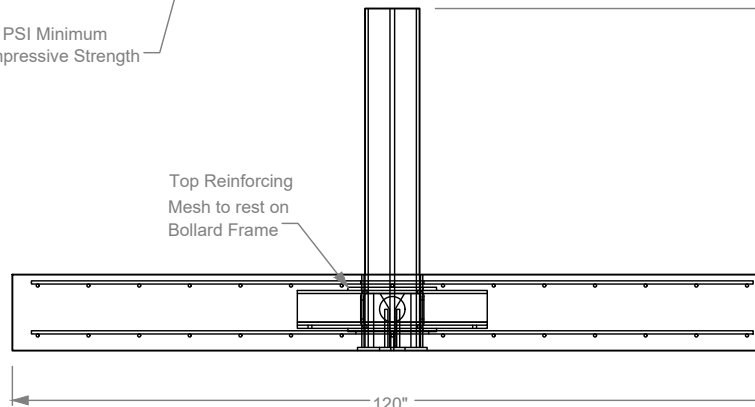
SELECT DESIRED BOLLARD CAP STYLE:

-  DOME
-  STANDARD FLAT
-  REVEAL
-  SLOPED



Concrete: 4,000 PSI Minimum  
Unconfined Compressive Strength

Top Reinforcing  
Mesh to rest on  
Bollard Frame



REVISIONS			
LTR	DESCRIPTION	DATE	APPVD
COMMENTS			

SPECIFICATIONS  
HEIGHT: 42"  
DIAMETER: 8.625"  
WALL THICKNESS: 0.500"

APPLICATION		SERIES NUMBER: <b>XX-S060-XX</b>	CAGE CODE: <b>6NQJ8</b>	REV: <b> </b>	DRAWING NUMBER: <b>M30 SHALLOW MOUNT</b>
NEXT ASSY	USED ON	PRODUCT FAMILY: <b>M30 SHALLOW MOUNT</b>	DRAWN BY: <b>AJA</b>	CHECKED BY: <b> </b>	DRAWING REV: <b> </b>
		PRODUCT CLASS: <b>STANDARD OR CUSTOMER DEFINED</b>	PRODUCT LINE: <b>BOLLARD</b>	APPROVED BY: <b> </b>	SHEET <b>1</b> OF <b>1</b>
		PRODUCT SUB LINE: <b>REMOVABLE</b>	1-800-BOLLARDS, Inc.		
		10 Hughes Suite A105			
		Irvine, Ca 92618			
		PHONE: 1-800-BOLLARDS			
		WEB: WWW.1800BOLLARDS.COM			
		EMAIL: INFO@1800BOLLARDS.COM			
TITLE:		BOLLARD, M30 SHALLOW MOUNT			

NOTES:  
1. ALL DIMENSIONS TO BE COMPLETED IN ACCORDANCE WITH MANUFACTURER'S SPECIFICATIONS.  
2. DO NOT SCALE DRAWING.  
3. THIS DRAWING IS INTENDED FOR USE BY ARCHITECTS, ENGINEERS, CONTRACTORS, CONSULTANTS AND DESIGN PROFESSIONALS FOR PLANNING PURPOSES ONLY. THIS DRAWING HAS NOT BEEN USED FOR CONSTRUCTION.  
4. ALL INFORMATION CONTAINED HEREIN WAS CURRENT AT THE TIME OF DEVELOPMENT BUT MUST BE REVIEWED AND APPROVED BY THE PRODUCT MANUFACTURER TO BE CONSIDERED ACCURATE.  
5. CONTACT OUR WEBSITE FOR PRODUCT AND COMPANY INFORMATION VISIT: WWW.1800BOLLARDS.COM  
REFERENCE NUMBER: 5048-027

# 1-800-BOLLARDS

## The Bollard Experts

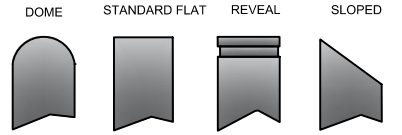
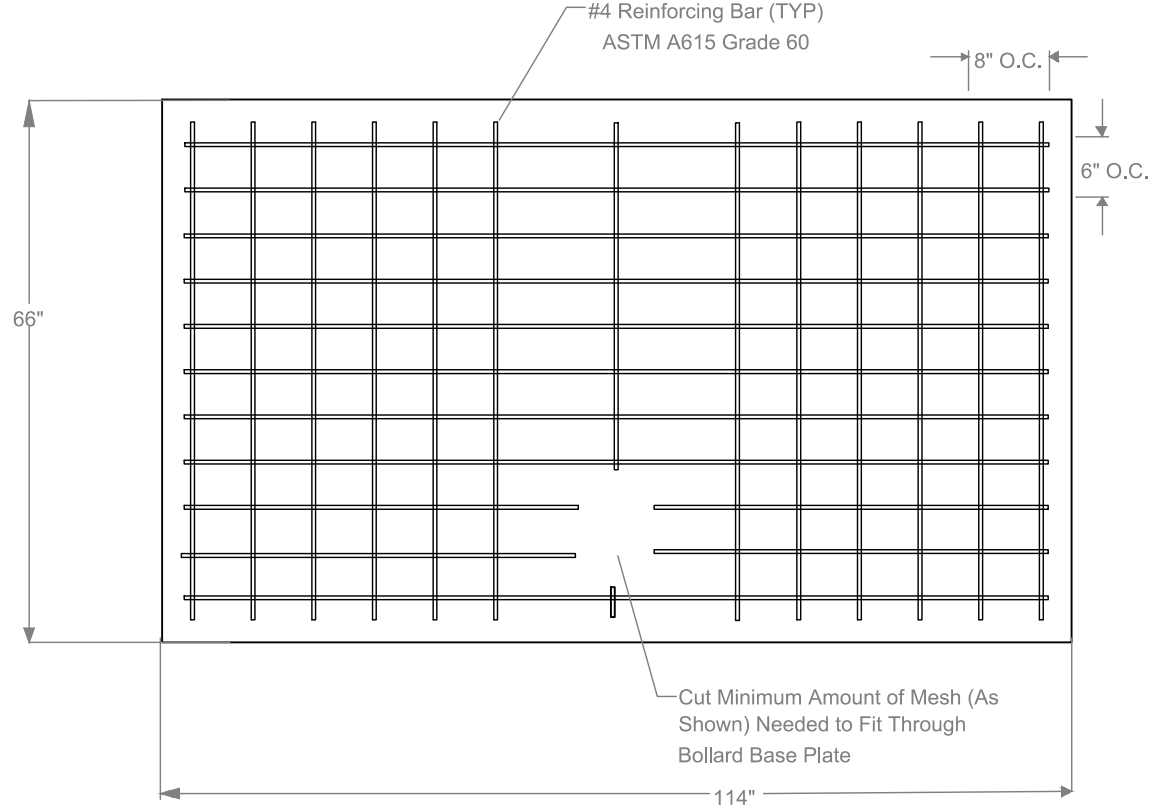
REVISIONS			
LTR	DESCRIPTION	DATE	APP'VD

COMMENTS			

**SPECIFICATIONS**  
 HEIGHT: 42"  
 DIAMETER: 8.625"  
 WALL THICKNESS: 0.500"

- 8" M30 HIGH SECURITY DEEP MOUNT
- FMCSR8080 (REMOVABLE)
- CARBON STEEL
- SELECT DESIRED CARBON STEEL BOLLARD FINISH:
- POWDER COAT RAL # \_\_\_\_\_
  - AS SPECIFIED \_\_\_\_\_
- COVER SELECTION
- 304 STAINLESS STEEL
  - 316 STAINLESS STEEL
- SELECT DESIRED BOLLARD CAP STYLE:
- DOME
  - STANDARD FLAT
  - REVEAL
  - SLOPED

### BOTTOM VIEW







<b>APPLICATION</b>		<b>SERIES NUMBER:</b> XX-S060-XX	<b>CAGE CODE:</b> 6NQJ8	<b>REV:</b> 000	<b>DRAWING NUMBER:</b> M30 SHALLOW MOUNT
<b>NEXT ASSY:</b>	<b>USED ON:</b>	<b>PRODUCT FAMILY:</b> M30 SHALLOW MOUNT	<b>DRAWN BY:</b> AJA	<b>CHECKED BY:</b>	<b>DRAWING REV:</b>
		<b>PRODUCT CLASS:</b> STANDARD OR CUSTOMER DEFINED	<b>PRODUCT LINE:</b> BOLLARD	<b>APPROVED BY:</b>	<b>SHEET 1 OF 1</b>
		<b>PRODUCT SUB LINE:</b> REMOVABLE	<b>RELEASE DATE:</b>		
		<b>1-800-BOLLARDS, Inc.</b> 10 Hughes Suite 4105 Irvine, CA 92618 <b>PHONE:</b> 1-800-BOLLARDS <b>WEB:</b> WWW.1800BOLLARDS.COM <b>EMAIL:</b> INFO@1800BOLLARDS.COM		<b>TITLE:</b> BOLLARD, M30 SHALLOW MOUNT	

NOTES:  
 1. INSTALLATION TO BE COMPLETED IN ACCORDANCE WITH MANUFACTURER'S SPECIFICATIONS.  
 2. DO NOT SCALE DRAWING.  
 3. THIS DRAWING IS PROVIDED FOR USE BY ARCHITECTS, ENGINEERS, CONTRACTORS, CONSULTANTS AND DESIGN PROFESSIONALS FOR PLANNING PURPOSES ONLY. THIS DRAWING MAY NOT BE USED FOR CONSTRUCTION.  
 4. ALL DIMENSIONS AND COMPONENTS REFERRED TO ARE CURRENT AT THE TIME OF DEVELOPMENT BUT MUST BE REVIEWED AND APPROVED BY THE PRODUCT MANUFACTURER TO BE USED FOR CONSTRUCTION.  
 5. CONTRACTOR'S NOTE FOR PRODUCT AND COMPANY INFORMATION: WWW.1800BOLLARDS.COM AND ENTER REFERENCE NUMBER DRAWING.

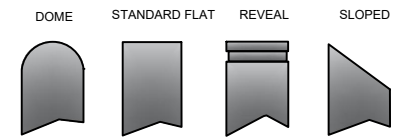
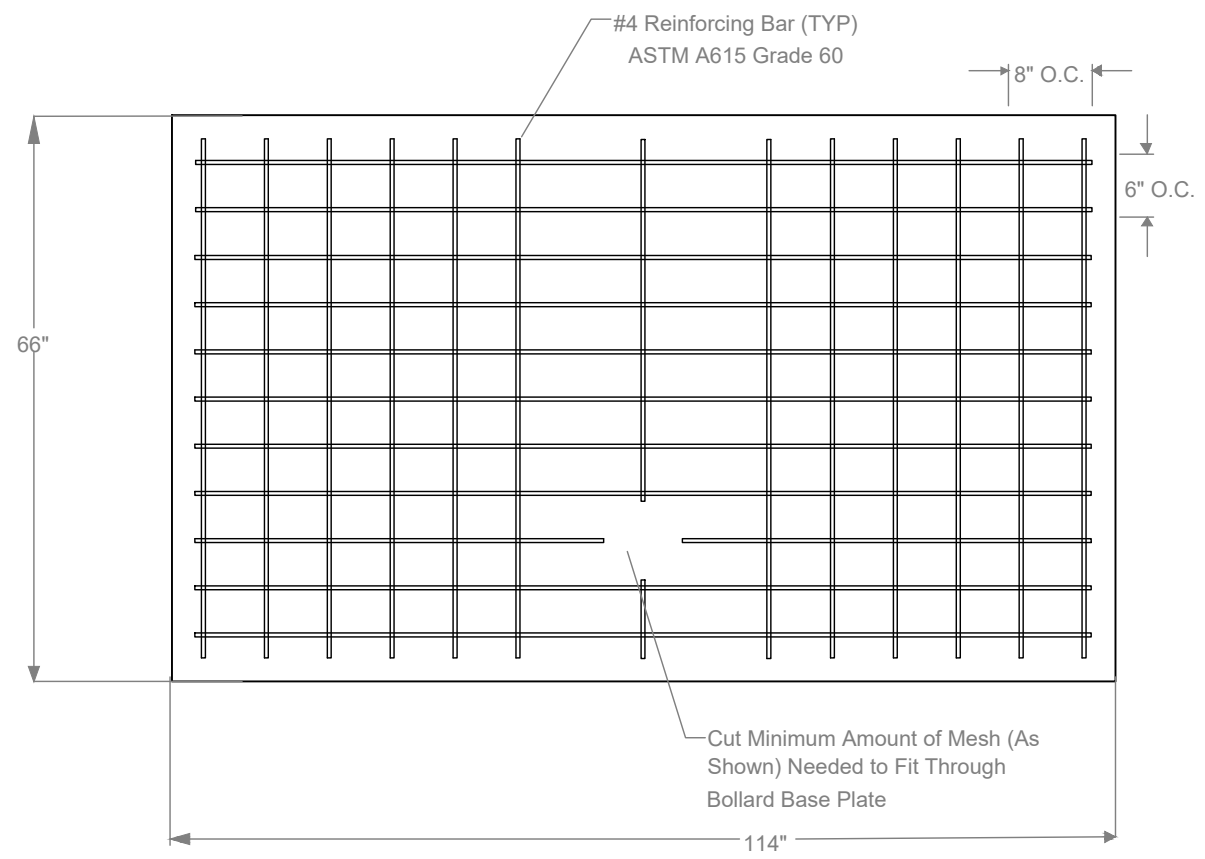
# 1-800-BOLLARDS

**The Bollard Experts**

REVISIONS			
LTR	DESCRIPTION	DATE	APPVD
COMMENTS			
SPECIFICATIONS HEIGHT: 42" DIAMETER: 8.625" WALL THICKNESS: 0.500"			

- 8" M30 HIGH SECURITY DEEP MOUNT
  - FMCSR8080 (REMOVABLE)
- CARBON STEEL
  - SELECT DESIRED CARBON STEEL BOLLARD FINISH:
    - POWDER COAT RAL # \_\_\_\_\_
    - AS SPECIFIED \_\_\_\_\_
- COVER SELECTION
  - 304 STAINLESS STEEL
  - 316 STAINLESS STEEL
- SELECT DESIRED BOLLARD CAP STYLE:
  -  DOME
  -  STANDARD FLAT
  -  REVEAL
  -  SLOPED

## TOP VIEW



APPLICATION		SERIES NUMBER: XX-S060-XX	CAGE CODE: 6NGJ8	SIZE: M30 SHALLOW MOUNT	DRAWING NUMBER: M30 SHALLOW MOUNT
NEXT ASSY	USED ON				
		PRODUCT FAMILY: M30 SHALLOW MOUNT	DRAWN BY: AJA	DRAWING REV: 1	SHEET 1 OF 1
		PRODUCT CLASS: STANDARD OR CUSTOMER DEFINED	CHECKED BY:	APPROVED BY:	RELEASE DATED:
		PRODUCT LINE: BOLLARD	PRODUCT SUB LINE: REMOVABLE	TITLE: BOLLARD, M30 SHALLOW MOUNT	
		1-800-BOLLARDS, Inc. 10 Hughes Suite A105 Irvine, CA 92618 PHONE: 1-800-BOLLARDS WEB: WWW.1800BOLLARDS.COM EMAIL: INFO@1800BOLLARDS.COM			

NOTES:  
1. INSTALLATION TO BE COMPLETED IN ACCORDANCE WITH MANUFACTURER'S SPECIFICATIONS.  
2. DO NOT SCALE DRAWING.  
3. THIS DRAWING IS INTENDED FOR USE BY ARCHITECTS, ENGINEERS, CONTRACTORS, CONSULTANTS AND DESIGN PROFESSIONALS FOR PLANNING PURPOSES ONLY. THIS DRAWING MAY NOT BE USED FOR CONSTRUCTION.  
4. ALL INFORMATION CONTAINED HEREIN WAS CURRENT AT THE TIME OF DEVELOPMENT BUT MUST BE REVIEWED AND APPROVED BY THE PRODUCT MANUFACTURER TO BE CONSIDERED ACCURATE.  
5. CONTACT YOUR SELLER FOR PRODUCT AND COMPANY INFORMATION VISIT WWW.1800BOLLARDS.COM AND ENTER REFERENCE NUMBER 584627.