

1-800-BOLLARDS

The Bollard Experts

REVISIONS			
LTR	DESCRIPTION	DATE	APP'VD
COMMENTS			

- SELECT DESIRED MATERIAL:
(8" NOMINAL SIZE)
- FCSC08080 SCH 80 ASTM A-53 CARBON STEEL
 - FCSC08080 SCH 80 SAINLESS STEEL
- SELECT DESIRED STAINLESS STEEL BOLLARD FINISH:
- POLISHED #4 FINISH
 - AS SPECIFIED _____

- SELECT DESIRED CARBON STEEL BOLLARD FINISH:
- POWDERCOAL RAL # _____
 - AS SPECIFIED _____

- SELECT DESIRED STAINLESS STEEL BOLLARD MATERIAL:
- TYPE 304
 - TYPE 316

- SELECT DESIRED BOLLARD CAP STYLE:

- DOME (SHOWN)
- STANDARD FLAT
- SLOPED

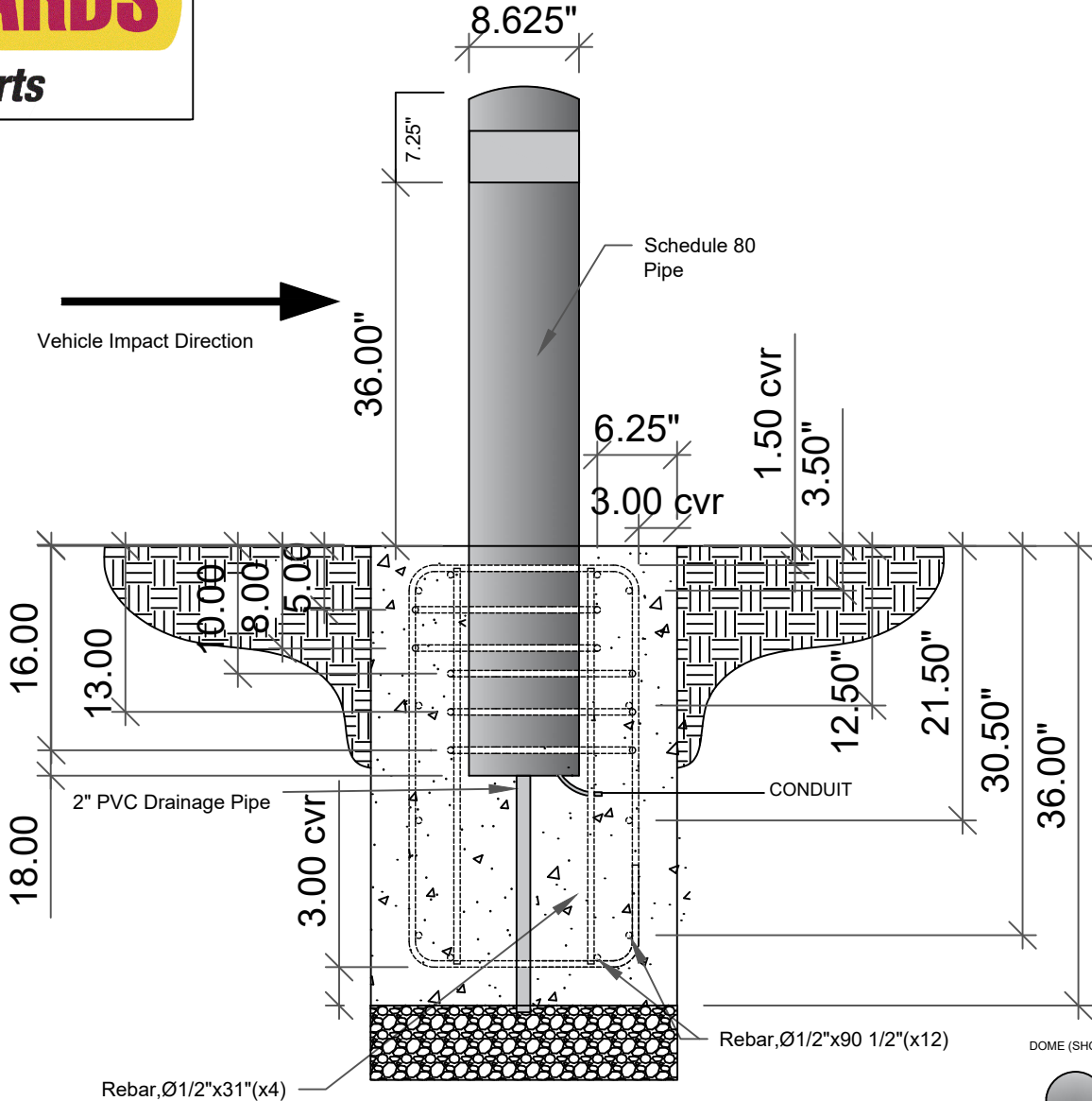
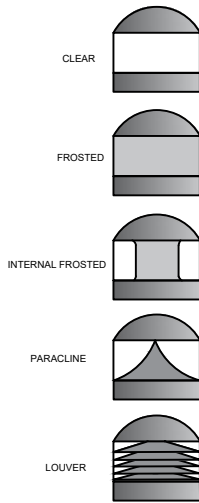
- LENS SELECTION

- CLEAR
- FROSTED
- INTERNAL FROSTED
- PARACLINE SILVER
- PARACLINE WHITE
- LOUVER GREY
- LOUVER WHITE

- WATTAGE
- 5W 16LEDS 100mA
 - 8W 16LEDS 175mA
 - 12W 16LEDS 250mA

- CCT
- COOL
 - NEUTRAL
 - WARM

- VOLTAGE
- 120-277VAC
 - 120V



END VIEW-FOUNDATION

DOME (SHOWN) STANDARD FLAT SLOPED



NOTES:
1. REFER TO THE DRAWING FOR ALL DIMENSIONS AND FINISHES. CONSULT OUR WEBSITE FOR THE LATEST DIMENSIONS AND FINISHES.
2. DO NOT SCALE DRAWING.
3. THIS DRAWING IS INTENDED FOR USE BY ARCHITECTS, ENGINEERS, CONTRACTORS, DESIGNERS, PLANNERS AND DESIGN PROFESSIONALS FOR PLANNING PURPOSES ONLY. THIS DRAWING
4. ALL INFORMATION CONTAINED HEREIN WAS CURRENT AT THE TIME OF DEVELOPMENT BUT MUST BE REVIEWED AND APPROVED BY THE PRODUCT MANUFACTURER TO BE
CONSIDERED ACCURATE.

APPLICATION	
NEXT ASSY	USED ON

SERIES NUMBER: XX-S060-XX	CAGE CODE: 6NGJ8	REV: 8" CT FIXED
PRODUCT FAMILY: 30 MPH CRASH TESTED	DRAWN BY: AJA	DRAWING REV: 1
PRODUCT CLASS: STANDARD OR CUSTOMER DEFINED	CHECKED BY: 1	SHEET: 1 OF 1
PRODUCT LINE: BOLLARD	APPROVED BY:	RELEASE DATE:
PRODUCT SUB LINE: FIXED	1-800-BOLLARDS, Inc. 10 Hughes Suite A105 Irvine, CA 92618 PHONE: 1-800-BOLLARDS WEB: WWW.1800BOLLARDS.COM EMAIL: INFO@1800BOLLARDS.COM	
TITLE: BOLLARD, CT FIXED		

1-800-BOLLARDS

The Bollard Experts

- SELECT DESIRED MATERIAL:
(8" NOMINAL SIZE)
 - FCSC08080 SCH 80 ASTM A-53 CARBON STEEL
 - FCSC08080 SCH 80 SAINLESS STEEL
- SELECT DESIRED STAINLESS STEEL BOLLARD FINISH:
 - POLISHED #4 FINISH
 - AS SPECIFIED _____
- SELECT DESIRED CARBON STEEL BOLLARD FINISH:
 - POWDERCOAL RAL # _____
 - AS SPECIFIED _____
- SELECT DESIRED STAINLESS STEEL BOLLARD MATERIAL:
 - TYPE 304
 - TYPE 316

SELECT DESIRED BOLLARD CAP STYLE:

- DOME (SHOWN)
- STANDARD FLAT
- SLOPED

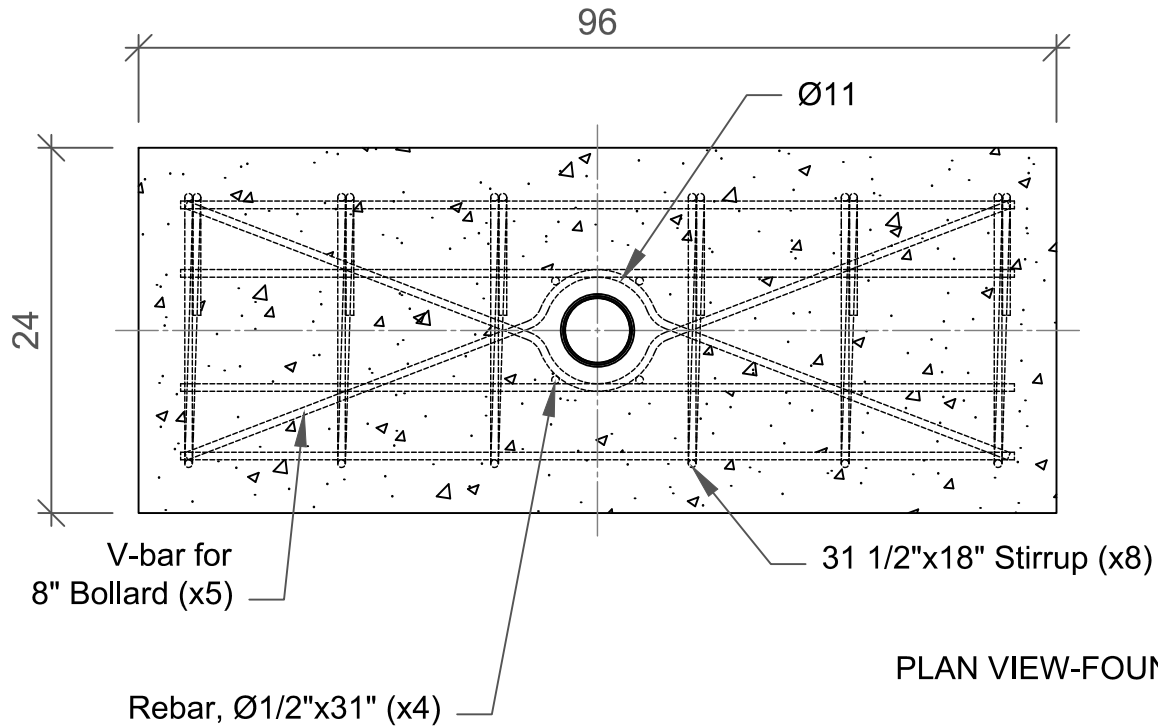
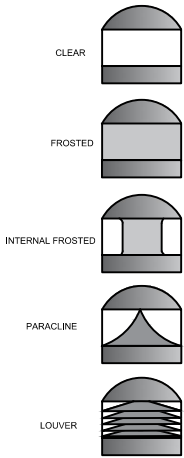
LENS SELECTION

- CLEAR
- FROSTED
- INTERNAL FROSTED
- PARACLINE SILVER
- PARACLINE WHITE
- LOUVER GREY
- LOUVER WHITE

- WATTAGE
 - 5W 16LEDS 100mA
 - 8W 16LEDS 175mA
 - 12W 16LEDS 250mA

- CCT
 - COOL
 - NEUTRAL
 - WARM

- VOLTAGE
 - 120-277VAC
 - 120V

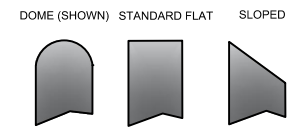


PLAN VIEW-FOUNDATION

REVISIONS			
LTR	DESCRIPTION	DATE	APP

SPECIFICATIONS

HEIGHT: 36"
 DIAMETER: 8.625"
 WALL THICKNESS: 0.500"



THIS DRAWING IS TO BE COMPLETED BY ACCORDANCE WITH MANUFACTURER'S SPECIFICATIONS.
 ALL RIGHTS ARE RESERVED FOR USE BY ARCHITECTS, ENGINEERS, CONTRACTORS, CONSULTANTS AND DESIGN PROFESSIONALS FOR PLANNING PURPOSES ONLY. THE DRAWING AND ANY INFORMATION CONTAINED HEREIN IS UNCLASSIFIED AT THE TIME OF DEVELOPMENT BUT MAY BE RECLASSIFIED AND APPROVED BY THE PRODUCT MANUFACTURER TO BE CONFIDENTIAL.

APPLICATION		DATE CODE	REV	DRAWING NUMBER
NEXT ASBY	USED IN	XX-S060-XX	0	8" CT FIXED
1-800-BOLLARDS, Inc. 10 Hughes Suite A100 Irvine, CA 92618		GNQJ0		
PHONE: 1-800-BOLLARDS WEB: WWW.1800BOLLARDS.COM EMAIL: INFO@1800BOLLARDS.COM		STANDARD OR CUSTOMER DEFINED	DRAWN BY: AJA	DRAWING REV: SHEET 1 OF 1
		BOLLARD	CHECKED BY:	APPROVED BY:
		FIXED		RELEASE DATE:
			TITLE: BOLLARD, CT FIXED	

1-800-BOLLARDS

The Bollard Experts

REVISIONS			
LTR	DESCRIPTION	DATE	APPV'D
COMMENTS			
SPECIFICATIONS			
HEIGHT: 36"			
DIAMETER: 8.625"			
WALL THICKNESS: 0.500"			

- SELECT DESIRED MATERIAL:
(8" NOMINAL SIZE)
 - FCSCT08080 SCH 80 ASTM A-53 CARBON STEEL
 - FCSCT08080 SCH 80 SATAINLESS STEEL
- SELECT DESIRED STAINLESS STEEL BOLLARD FINISH:
 - POLISHED #4 FINISH
 - AS SPECIFIED _____
- SELECT DESIRED CARBON STEEL BOLLARD FINISH:
 - POWDERCOAL RAL # _____
 - AS SPECIFIED _____
- SELECT DESIRED STAINLESS STEEL BOLLARD MATERIAL:
 - TYPE 304
 - TYPE 316

SELECT DESIRED BOLLARD CAP STYLE:

- DOME (SHOWN)
- STANDARD FLAT
- SLOPED

LENS SELECTION

- CLEAR
- FROSTED
- INTERNAL FROSTED
- PARACLINE SILVER
- PARACLINE WHITE
- LOUVER GREY
- LOUVER WHITE

WATTAGE

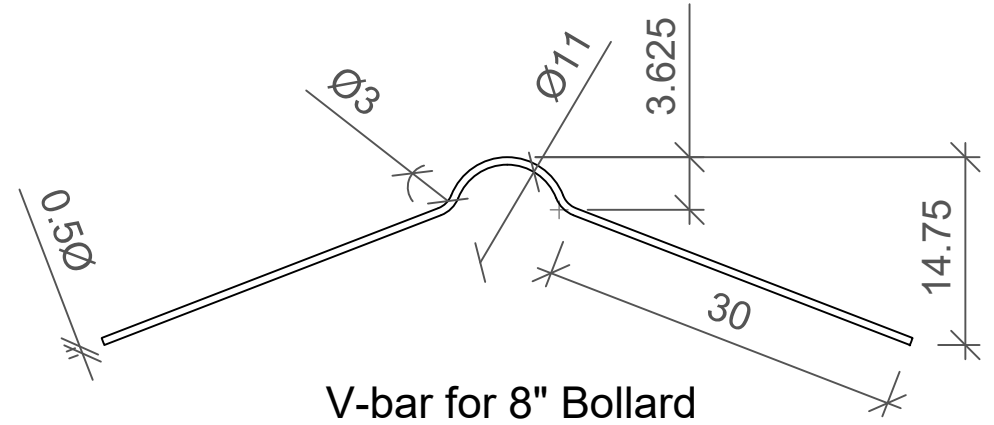
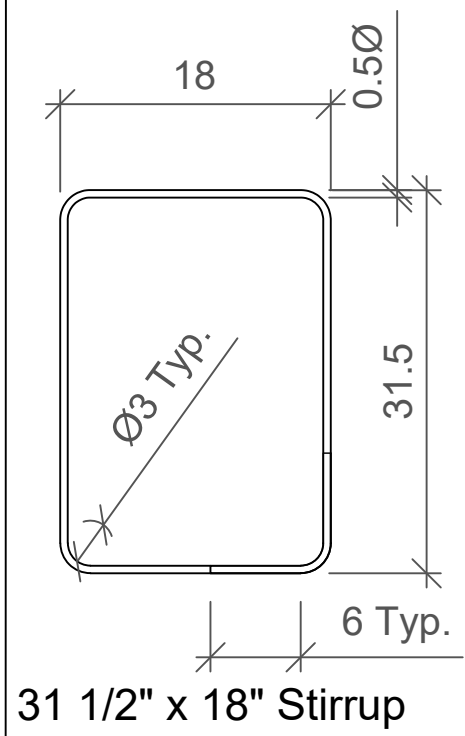
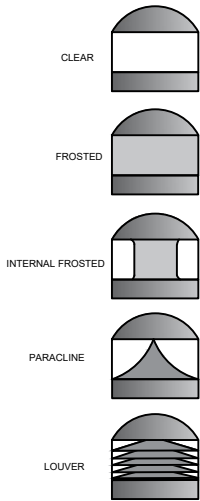
- 5W 16LEDS 100mA
- 8W 16LEDS 175mA
- 12W 16LEDS 250mA

CCT

- COOL
- NEUTRAL
- WARM

VOLTAGE

- 120-277VAC
- 120V



DOME (SHOWN) STANDARD FLAT SLOPED



SERIES NUMBER: XX-S060-XX	CAGE CODE: 6NGJ8	SIZE: 8" CT FIXED	DRAWING NUMBER:
PRODUCT FAMILY: 30 MPH CRASH TESTED	DRAWN BY: AJA	CHECKED BY:	BRANDING REV:
PRODUCT CLASS: STANDARD OR CUSTOMER DEFINED	PRODUCT LINE: BOLLARD	APPROVED BY:	SHEET 1 OF 1
PRODUCT SUB LMD: FIXED	1-800-BOLLARDS, Inc. 10 Hughes Sutter ALDS Irvine, CA 92618 PHONE: 1-800-BOLLARDS WEB: WWW.1800BOLLARDS.COM EMAIL: INFO@1800BOLLARDS.COM		TITLE: BOLLARD, CT FIXED
APPLICATION		RELEASE DATE:	
NEXT ASSY	USED ON		

1. THIS DRAWING IS TO BE COMPLETED IN ACCORDANCE WITH MANUFACTURER'S SPECIFICATIONS.
 2. DIMENSIONAL SCALE: DIMENSIONS ARE GIVEN UNLESS OTHERWISE SPECIFIED.
 3. THIS DRAWING IS INTENDED FOR USE BY ARCHITECTS, ENGINEERS, CONTRACTORS, CONSULTANTS AND DESIGN PROFESSIONALS FOR PLANNING PURPOSES ONLY. THIS DRAWING
 4. ALL INFORMATION CONTAINED HEREIN WAS CURRENT AT THE TIME OF DEVELOPMENT BUT MUST BE REVIEWED AND APPROVED BY THE PRODUCT MANUFACTURER TO BE
 CONSIDERED ACCURATE.