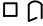
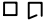
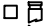
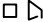
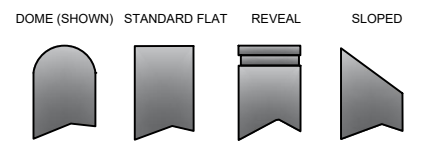
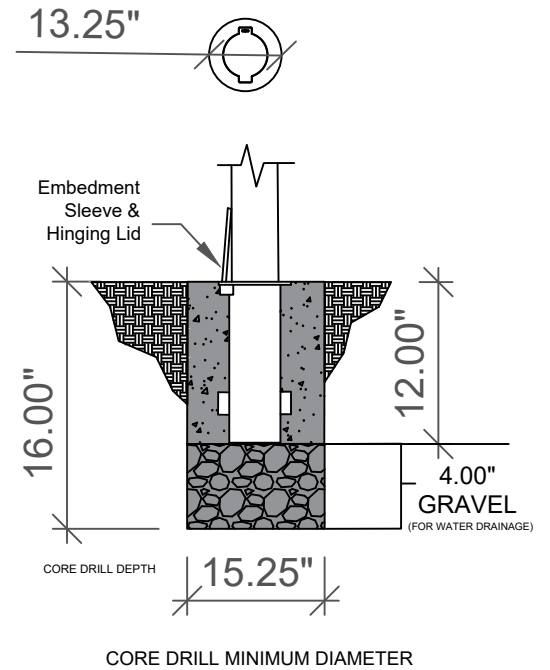
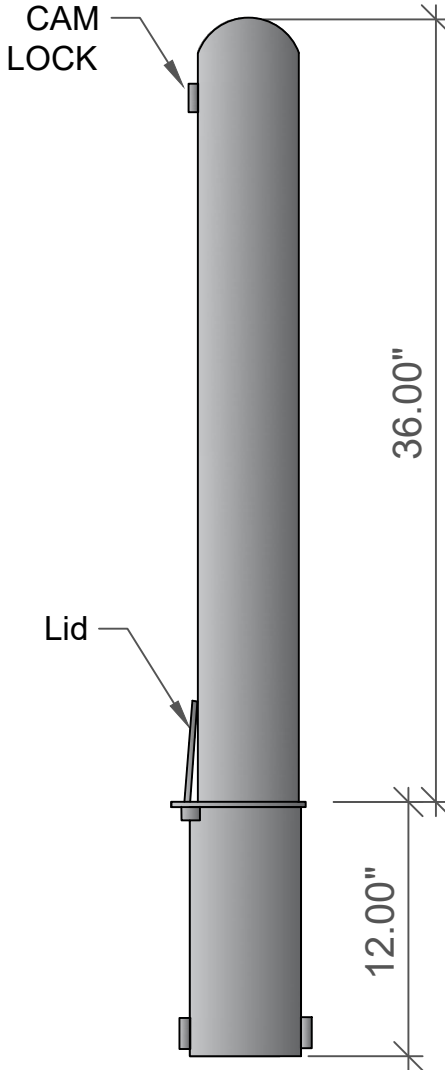
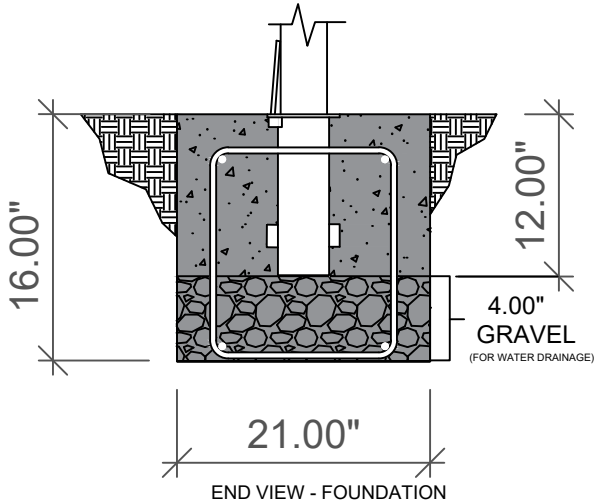


# 1-800-BOLLARDS

The Bollard Experts

- SELECT DESIRED MATERIAL:  
(8" NOMINAL SIZE)
- RSS08000 SCH 10 STAINLESS STEEL
  - RSS08040 SCH 40 STAINLESS STEEL
  - RSS08080 SCH 80 STAINLESS STEEL
  - RCS08040 SCH 40 ASTM A-53 CARBON STEEL
  - RCS08080 SCH 80 ASTM A-53 CARBON STEEL
- SELECT DESIRED STAINLESS STEEL BOLLARD FINISH:
- POLISHED #4 FINISH
  - AS SPECIFIED \_\_\_\_\_
- SELECT DESIRED CARBON STEEL BOLLARD FINISH:
- POWDER COAT RAL # \_\_\_\_\_
  - AS SPECIFIED \_\_\_\_\_
- SELECT DESIRED STAINLESS STEEL BOLLARD MATERIAL:
- TYPE 304
  - TYPE 316
- SELECT DESIRED BOLLARD CAP STYLE:
-  DOME (SHOWN)
  -  STANDARD FLAT
  -  REVEAL
  -  SLOPED



REVISIONS			
LTR	DESCRIPTION	DATE	APPVD

COMMENTS

---

**SPECIFICATIONS**

HEIGHT: 36"  
DIAMETER: 8.62"  
WALL THICKNESS: 0.280" SCHED 40

**NOTES:**

- INSTALLATION TO BE COMPLETED IN ACCORDANCE WITH MANUFACTURERS SPECIFICATIONS.
- DO NOT SCALE DRAWING.
- THIS DRAWING IS INTENDED FOR USE BY ARCHITECTS, ENGINEERS, CONTRACTORS, CONSULTANTS AND DESIGN PROFESSIONALS FOR PLANNING PURPOSES ONLY. THIS DRAWING AND ALL INFORMATION CONTAINED HEREIN WAS CURRENT AT THE TIME OF DEVELOPMENT BUT MUST BE REVIEWED AND APPROVED BY THE PRODUCT MANUFACTURER TO BE CONSIDERED ACCURATE.

<b>APPLICATION</b>		<b>SERIES NUMBER:</b> XX-S060-XX	<b>CAGE CODE:</b> 6NGJB	<b>REV:</b> 1	<b>DRAWING NUMBER:</b> REMOVABLE
	<b>NEXT ASSY</b>	1-800-BOLLARDS, Inc. 10 Hughes Suite A105 Irvine, CA 92618			
	<b>USED ON</b>	<b>PRODUCT FAMILY:</b> REMOVABLE	<b>DRAWN BY:</b> AJA	<b>DRAWING REV:</b>	
		<b>PRODUCT CLASS:</b> STANDARD OR CUSTOMER DEFINED	<b>CHECKED BY:</b>	<b>SHEET:</b> 1 OF 1	
		<b>PRODUCT LINE:</b> BOLLARD	<b>APPROVED BY:</b>	<b>RELEASE DATE:</b>	
		<b>PRODUCT SUB LINE:</b> INTERNAL REMOVABLE	TITL: BOLLARD, INTERNAL REMOVABLE		
		<b>WEB:</b> WWW.1800BOLLARDS.COM			
		<b>EMAIL:</b> INFO@1800BOLLARDS.COM			