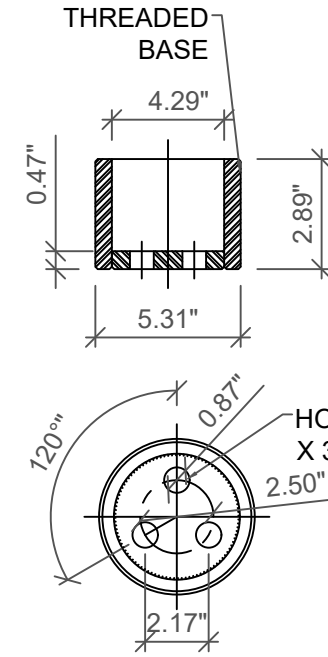
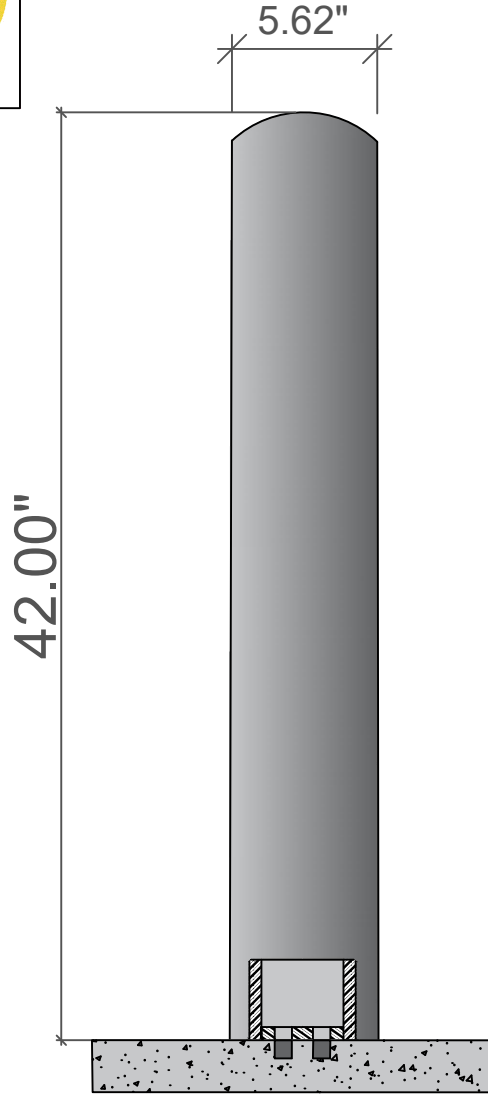


1-800-BOLLARDS

The Bollard Experts

- SELECT DESIRED MATERIAL:
(5" NOMINAL SIZE)
 - TFCS504042 SCH 40 ASTM A-53 CARBON STEEL
 - TFGV504042 SCH 40 GALVANIZED STEEL
- SELECT DESIRED STAINLESS STEEL BOLLARD FINISH:
 - POLISHED #4 FINISH
- SELECT DESIRED CARBON STEEL BOLLARD FINISH:
 - POWDER COAT RAL # 1023 _____
- SELECT DESIRED STAINLESS STEEL BOLLARD MATERIAL:
 - TYPE 304
- SELECT DESIRED BOLLARD CAP STYLE:
 - DOME (SHOWN)
- SELECT DESIRED CARBON STEEL BOLLARD HEIGHT
 - 5" x 42"
- SELECT DESIRED GALVANIZED BOLLARD HEIGHT
 - 5" x 42"



REVISIONS			
LTR	DESCRIPTION	DATE	APPVD

COMMENTS

SPECIFICATIONS

HEIGHT: 42"

DIAMETER: 5.62"

WALL THICKNESS: 0.280"

DOME (SHOWN)



NOTES:
 1. INSTALLATION TO BE COMPLETED IN ACCORDANCE WITH MANUFACTURER'S SPECIFICATIONS.
 2. DO NOT SCALE DRAWING.
 3. THIS DRAWING IS INTENDED FOR USE BY ARCHITECTS, ENGINEERS, CONTRACTORS, CONSULTANTS AND DESIGN PROFESSIONALS FOR PLANNING PURPOSES ONLY. THIS DRAWING
 4. ALL INFORMATION CONTAINED HEREIN WAS CURRENT AT THE TIME OF DEVELOPMENT BUT MUST BE REVIEWED AND APPROVED BY THE PRODUCT MANUFACTURER TO BE CONSIDERED ACCURATE.

APPLICATION	
NEXT ASSY	USED ON

SERIES NUMBER: YX-S060-XX	CAGE CODE: 6NGJB	REV: 6th Cutsheet Size A - R1
PRODUCT FAMILY: FIXED BOLLARD	DRAWN BY: AJA	DRAWING REV:
PRODUCT CLASS: STANDARD OR CUSTOMER DEFINED	CHECKED BY:	SHEET: 1 OF 1
PRODUCT LINE: BOLLARD	APPROVED BY:	RELEASE DATE:
PRODUCT SUB LINE: BASEPLATE	TITLE: BOLLARD, BASEPLATE	
1-800-BOLLARDS, Inc. 10 Hughes Suite A105 Irvine, CA 92618 PHONE: 1-800-BOLLARDS WEB: WWW.1800BOLLARDS.COM EMAIL: INFO@1800BOLLARDS.COM		