

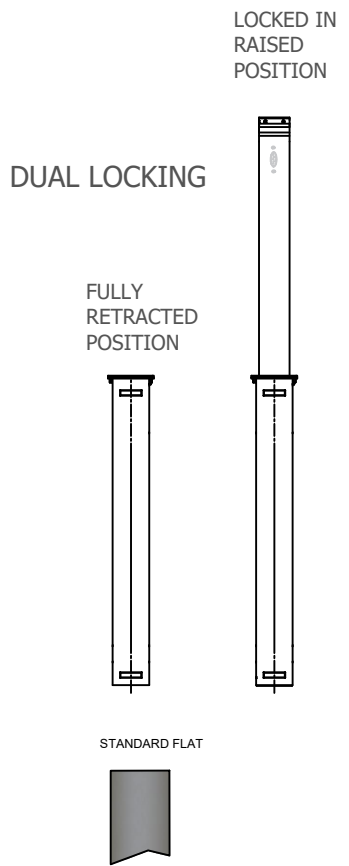
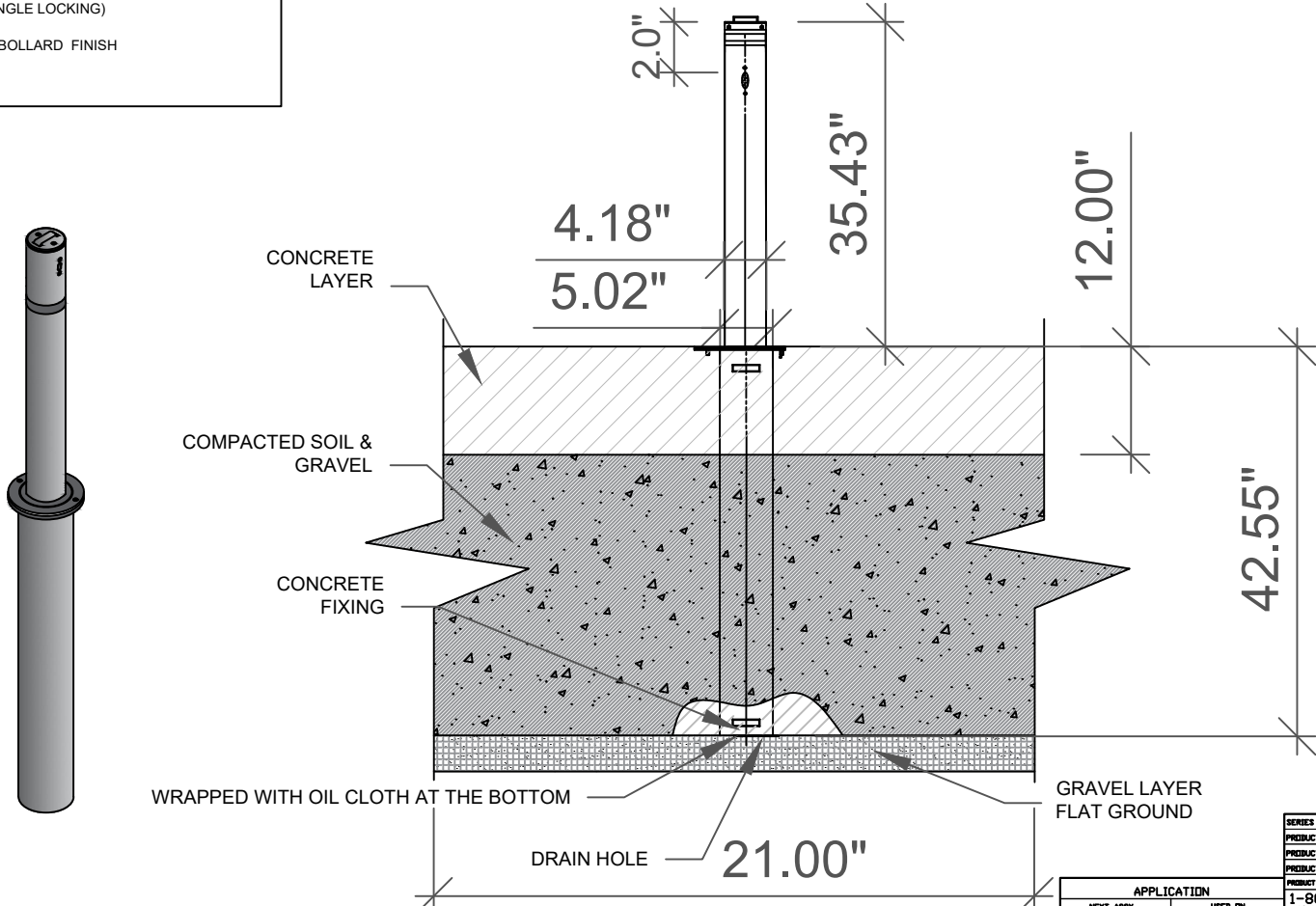
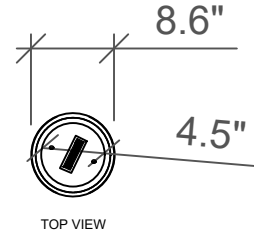
1-800-BOLLARDS

The Bollard Experts

- 4" MANUAL RETRACTABLE BOLLARD MATERIAL
- CARBON STEEL
 - MRCS4000DB (DUAL LOCKING / BLACK)
 - MRCS4000DY (DUAL LOCKING / YELLOW)
 - MRCS4000B (SINGLE LOCKING / BLACK)
 - MRCS4000Y (SINGLE LOCKING / YELLOW)
- 316 STAINLESS STEEL
 - MRSS4000DB (DUAL LOCKING)
 - MRSS4000B (SINGLE LOCKING)
- STAINLESS STEEL BOLLARD FINISH
 - POLISHED #4

REVISIONS			
LTR	DESCRIPTION	DATE	APPVD

SPECIFICATIONS
 HEIGHT: 35.43"
 DIAMETER: 4.18"
 WALL THICKNESS: 0.125"



NOTES:
 1. INSTALLATION TO BE COMPLETED IN ACCORDANCE WITH MANUFACTURER'S SPECIFICATIONS.
 2. DO NOT SCALE DRAWING.
 3. THIS DRAWING IS INTENDED FOR USE BY ARCHITECTS, ENGINEERS, CONTRACTORS, CONSULTANTS AND DESIGN PROFESSIONALS FOR PLANNING PURPOSES ONLY. THIS DRAWING
 4. ALL INFORMATION CONTAINED HEREIN WAS CURRENT AT THE TIME OF DEVELOPMENT BUT MUST BE REVIEWED AND APPROVED BY THE PRODUCT MANUFACTURER TO BE CONSIDERED ACCURATE.

APPLICATION	
NEXT ASSY	USED ON

SERIES NUMBER: XX-S060-XX	CAGE CODE: 6NGJB	REV: 	DRAWING NUMBER: CUSTOM1
PRODUCT FAMILY: MANUAL RETRACTABLE	DRAWN BY: AJA	DRAWING REV: 	
PRODUCT CLASS: STANDARD OR CUSTOMER DEFINED	CHECKED BY: 	SHEET: 1 OF 1	
PRODUCT LINE: BOLLARD	APPROVED BY: 	RELEASE DATE: 	
PRODUCT SUB LINE: MANUAL RETRACTABLE	TITLE: BOLLARD, MANUAL RETRACTABLE		