



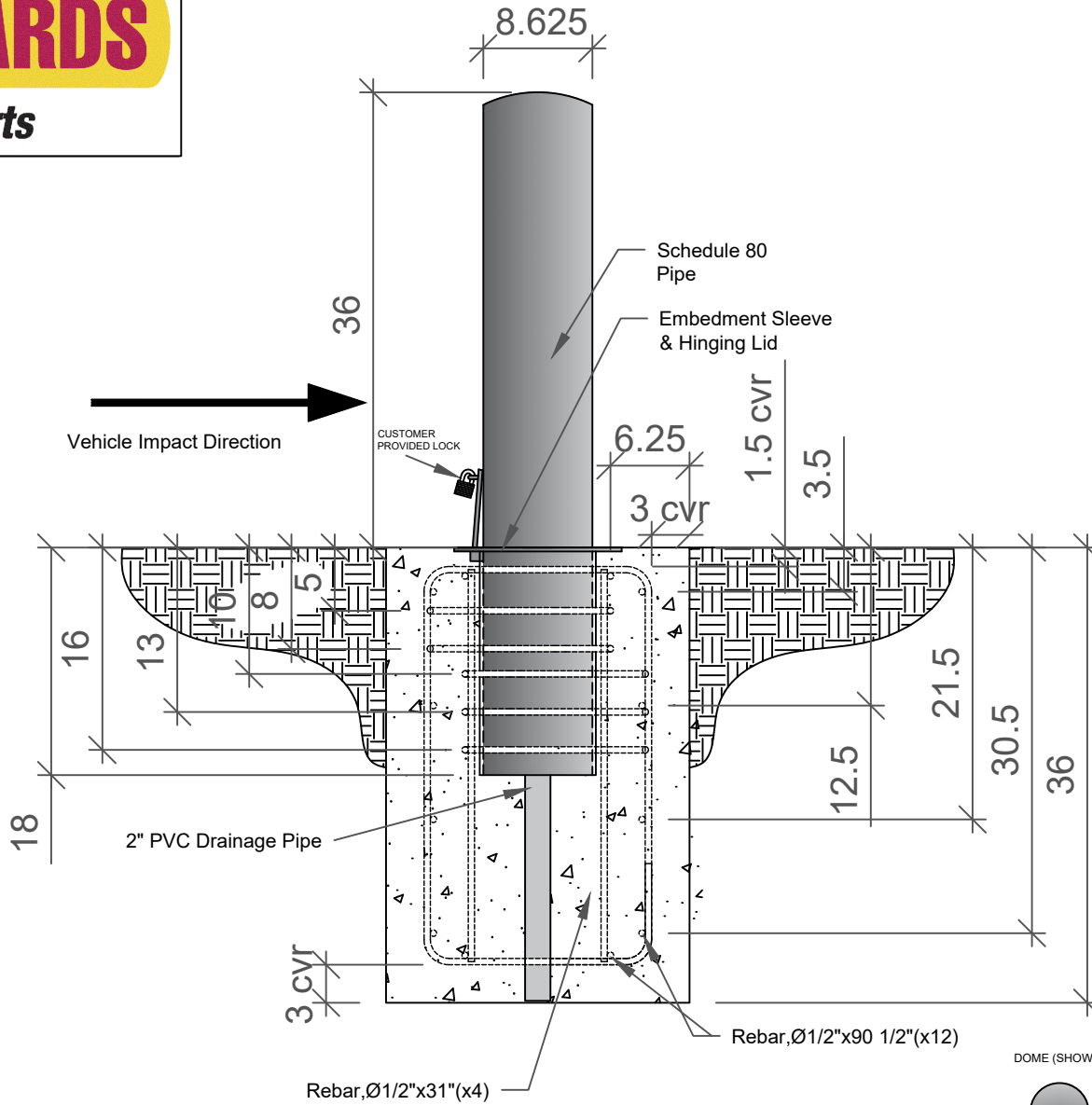


1-800-BOLLARDS

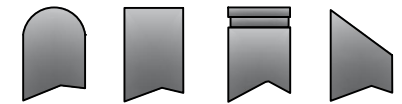
The Bollard Experts

- SELECT DESIRED MATERIAL:
(8" NOMINAL SIZE)
 - RPCSCT08080 SCH 80 STAINLESS STEEL
 - RPCSCT08080 SCH 80 ASTM A-53 CARBON STEEL
- SELECT DESIRED STAINLESS STEEL BOLLARD FINISH:
 - POLISHED #4 FINISH
 - AS SPECIFIED _____
- SELECT DESIRED CARBON STEEL BOLLARD FINISH:
 - POWDER COAT RAL # _____
 - AS SPECIFIED _____
- SELECT DESIRED STAINLESS STEEL BOLLARD MATERIAL:
 - TYPE 304
 - TYPE 316
- SELECT DESIRED BOLLARD CAP STYLE:
 -  DOME (SHOWN)
 -  STANDARD FLAT
 -  REVEAL
 -  SLOPED



END VIEW-FOUNDATION

DOME (SHOWN) STANDARD FLAT REVEAL SLOPED




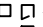
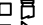

REVISIONS			
LTR	DESCRIPTION	DATE	APPVD
COMMENTS			
SPECIFICATIONS			
HEIGHT: 36"			
DIAMETER: 8.625"			
WALL THICKNESS: 0.500"			

NOTES:
 1. INSTALLATION TO BE COMPLETED IN ACCORDANCE WITH MANUFACTURER'S SPECIFICATIONS.
 2. DO NOT SCALE DRAWING.
 3. THIS DRAWING IS INTENDED FOR USE BY ARCHITECTS, ENGINEERS, CONTRACTORS, CONSULTANTS AND DESIGN PROFESSIONALS FOR PLANNING PURPOSES ONLY. THIS DRAWING
 4. ALL INFORMATION CONTAINED HEREIN WAS CURRENT AT THE TIME OF DEVELOPMENT BUT MUST BE REVIEWED AND APPROVED BY THE PRODUCT MANUFACTURER TO BE CONSIDERED ACCURATE.

APPLICATION		SERIES NUMBER: XX-S060-XX		CAGE CODE: 6NGJ8		REV: 8" CT REMOVABLE	
NEXT ASSY	USED ON	PRODUCT FAMILY: 30 MPH CRASH TESTED	PRODUCT CLASS: STANDARD OR CUSTOMER DEFINED	DRAWN BY: AJA	CHECKED BY:	APPROVED BY:	RELEASE DATE:
		PRODUCT LINE: BOLLARD <td>PRODUCT SUB LINE: REMOVABLE <td> </td> <td> </td> <td> </td> <td> </td> </td>	PRODUCT SUB LINE: REMOVABLE <td> </td> <td> </td> <td> </td> <td> </td>				
		1-800-BOLLARDS, Inc. 10 Hughes Suite A105 Irvine, CA 92618 PHONE: 1-800-BOLLARDS WEB: WWW.1800BOLLARDS.COM EMAIL: INFO@1800BOLLARDS.COM		BOLLARD, CT REMOVABLE			

1-800-BOLLARDS

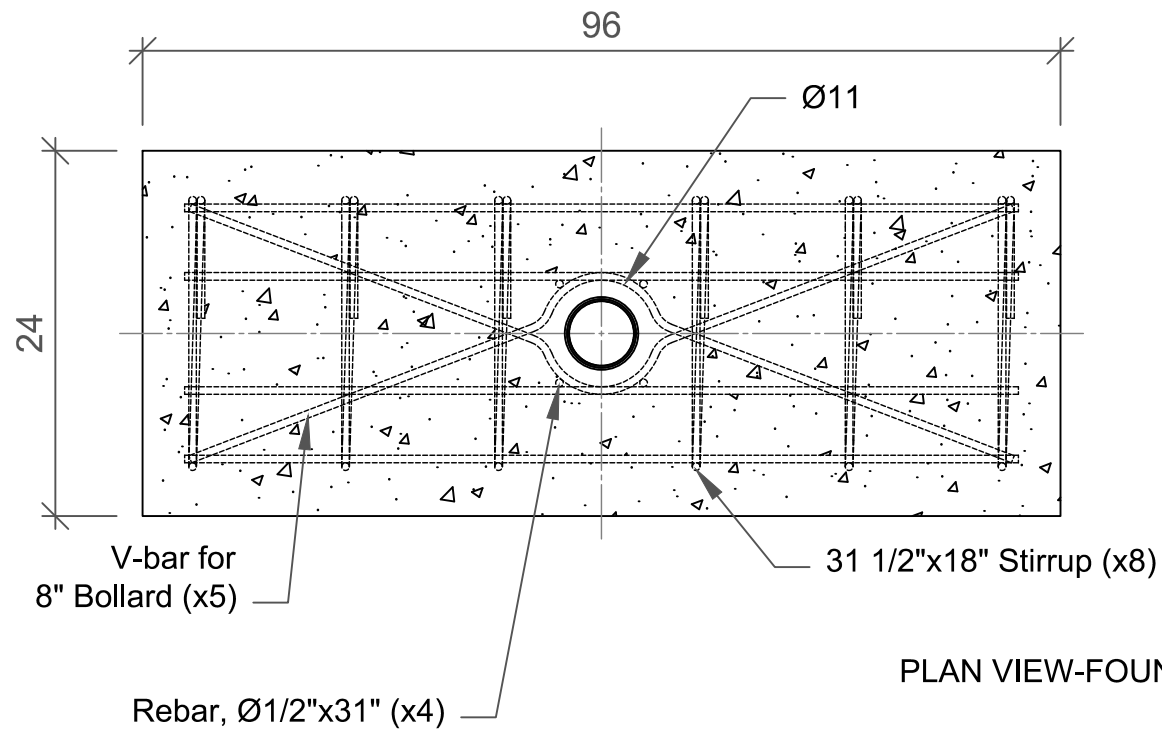
The Bollard Experts

- SELECT DESIRED MATERIAL:
(8" NOMINAL SIZE)
 - RPCSCT08080 SCH 80 STAINLESS STEEL
 - RPCSCT08080 SCH 80 ASTM A-53 CARBON STEEL
- SELECT DESIRED STAINLESS STEEL BOLLARD FINISH:
 - POLISHED #4 FINISH
 - AS SPECIFIED _____
- SELECT DESIRED CARBON STEEL BOLLARD FINISH:
 - POWDER COAT RAL # _____
 - AS SPECIFIED _____
- SELECT DESIRED STAINLESS STEEL BOLLARD MATERIAL:
 - TYPE 304
 - TYPE 316
- SELECT DESIRED BOLLARD CAP STYLE:
 -  DOME (SHOWN)
 -  STANDARD FLAT
 -  REVEAL
 -  SLOPED

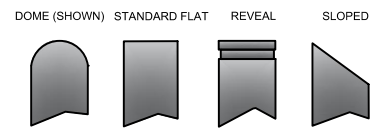
REVISIONS			
LTR	DESCRIPTION	DATE	APP

SPECIFICATIONS

HEIGHT: 36"
 DIAMETER: 8.625"
 WALL THICKNESS: 0.500"



PLAN VIEW-FOUNDATION



NOTES:
 1. INSTALLATION TO BE COMPLETED IN ACCORDANCE WITH MANUFACTURER'S SPECIFICATIONS.
 2. DO NOT SCALE DRAWING.
 3. THIS DRAWING IS INTENDED FOR USE BY ARCHITECTS, ENGINEERS, CONTRACTORS, CONSULTANTS AND DESIGN PROFESSIONALS FOR PLANNING PURPOSES ONLY. THE DRAWING
 4. ALL INFORMATION CONTAINED HEREIN WAS CURRENT AT THE TIME OF DEVELOPMENT BUT MUST BE REVIEWED AND APPROVED BY THE PRODUCT MANUFACTURER TO BE
 CONSIDERED ACCURATE.

APPLICATION		SERIES NUMBER XX-S060-XX		SIZE CODE 6N0J08		USE 3' CT REMOVABLE		DRAWING NUMBER	
NEXT ASBY		USED IN		PRODUCT FAMILY 30 MPH CRASH TESTED		PRODUCT CLASS STANDARD OR CUSTOMER DEFINED		DRAWING REV#	
				PRODUCT LINE BOLLARD		CREATED BY AJA		SHEET 1 OF 1	
				PRODUCT SUB LINE REMOVABLE		APPROVED BY		RELEASE DATE	
				1-800-BOLLARDS, Inc. 10 Hughes Suite 1100 Irvine, CA 92618		TITLE		BOLLARD, CT REMOVABLE	
				PHONE 1-800-BOLLARDS					
				WEB WWW.1800BOLLARDS.COM					
				EMAIL INFO@1800BOLLARDS.COM					

