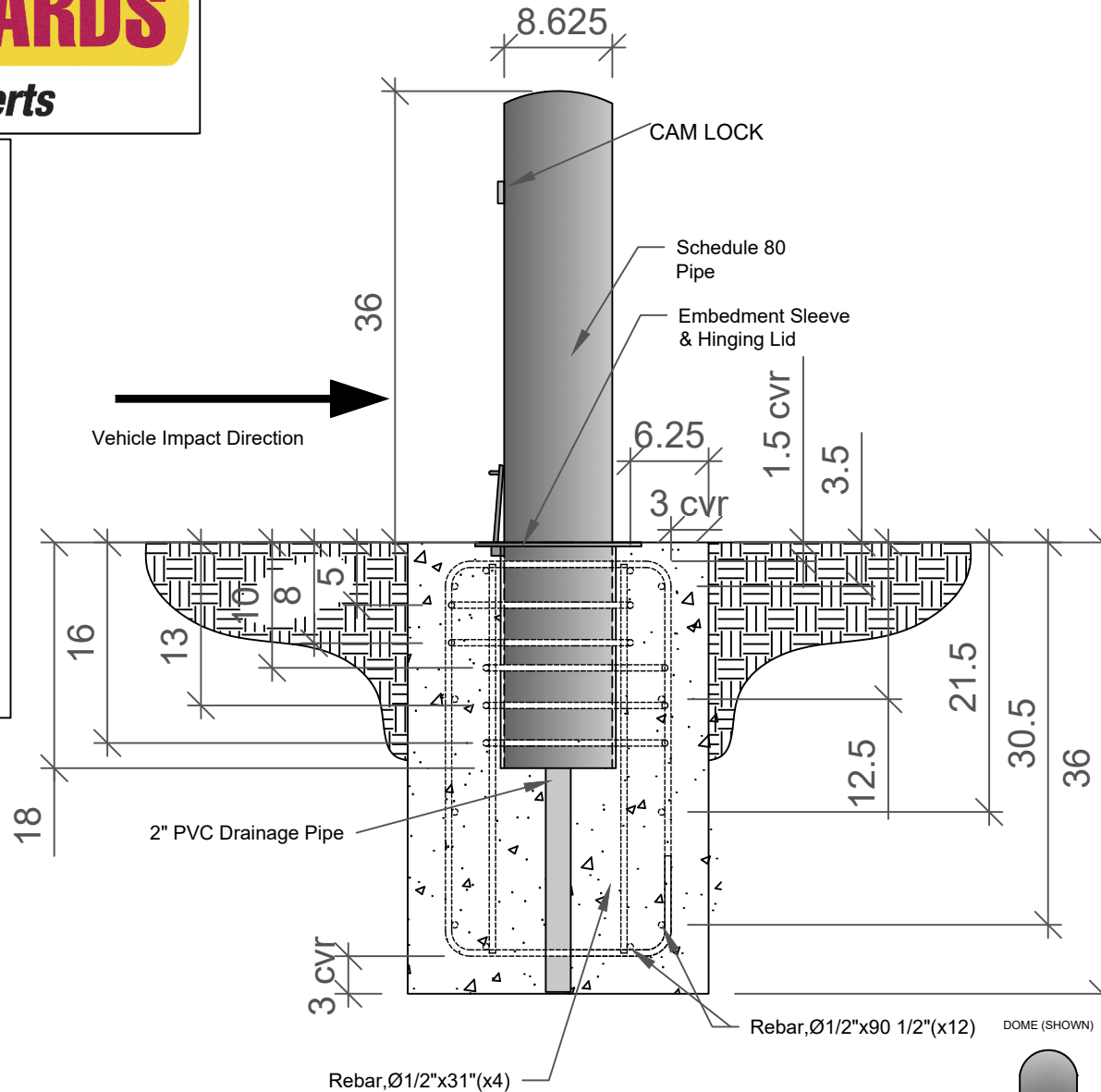


1-800-BOLLARDS

The Bollard Experts

- SELECT DESIRED MATERIAL:
(8" NOMINAL SIZE)
- RCST08080 SCH 80 STAINLESS STEEL
 - RCST08080 SCH 80 ASTM A-53 CARBON STEEL
- SELECT DESIRED STAINLESS STEEL BOLLARD FINISH:
- POLISHED #4 FINISH
 - AS SPECIFIED _____
- SELECT DESIRED CARBON STEEL BOLLARD FINISH:
- POWDER COAT RAL # _____
 - AS SPECIFIED _____
- SELECT DESIRED STAINLESS STEEL BOLLARD MATERIAL:
- TYPE 304
 - TYPE 316
- SELECT DESIRED BOLLARD CAP STYLE:
- DOME (SHOWN)
 - STANDARD FLAT
 - REVEAL
 - SLOPED



END VIEW-FOUNDATION

REBAR, Ø1/2"x90 1/2"(x12) DOME (SHOWN) STANDARD FLAT REVEAL SLOPED



REVISIONS			
LTR	DESCRIPTION	DATE	APPVD
COMMENTS			
SPECIFICATIONS			
HEIGHT: 36"			
DIAMETER: 8.625"			
WALL THICKNESS: 0.500"			

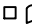
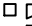


NOTES:
1. INSTALLATION TO BE COMPLETED IN ACCORDANCE WITH MANUFACTURER'S SPECIFICATIONS.
2. DO NOT SCALE DRAWING.
3. THIS DRAWING IS INTENDED FOR USE BY ARCHITECTS, ENGINEERS, CONTRACTORS, CONSULTANTS AND DESIGN PROFESSIONALS FOR PLANNING PURPOSES ONLY. THIS DRAWING
4. ALL INFORMATION CONTAINED HEREIN WAS CURRENT AT THE TIME OF DEVELOPMENT BUT MUST BE REVIEWED AND APPROVED BY THE PRODUCT MANUFACTURER TO BE CONSIDERED ACCURATE.

APPLICATION		1-800-BOLLARDS, Inc.	
NEXT ASSY	USED ON	10 Hughes Suite A105 Irvine, CA 92618 PHONE: 1-800-BOLLARDS WEB: WWW.1800BOLLARDS.COM EMAIL: INFO@1800BOLLARDS.COM	TITLE BOLLARD, CT REMOVABLE

SERIES NUMBER: XX-S060-XX	CAGE CODE: 6NGJB	REV: 8"	DRAWING NUMBER: 8" CT REMOVABLE
PRODUCT FAMILY: 30 MPH CRASH TESTED	DRAWN BY: AJA	CHECKED BY:	DRAWING REV: SHEET 1 OF 1
PRODUCT CLASS: STANDARD OR CUSTOMER DEFINED	PRODUCT LINE: BOLLARD	APPROVED BY:	RELEASE DATE:
PRODUCT SUB LINE: REMOVABLE			

1-800-BOLLARDS

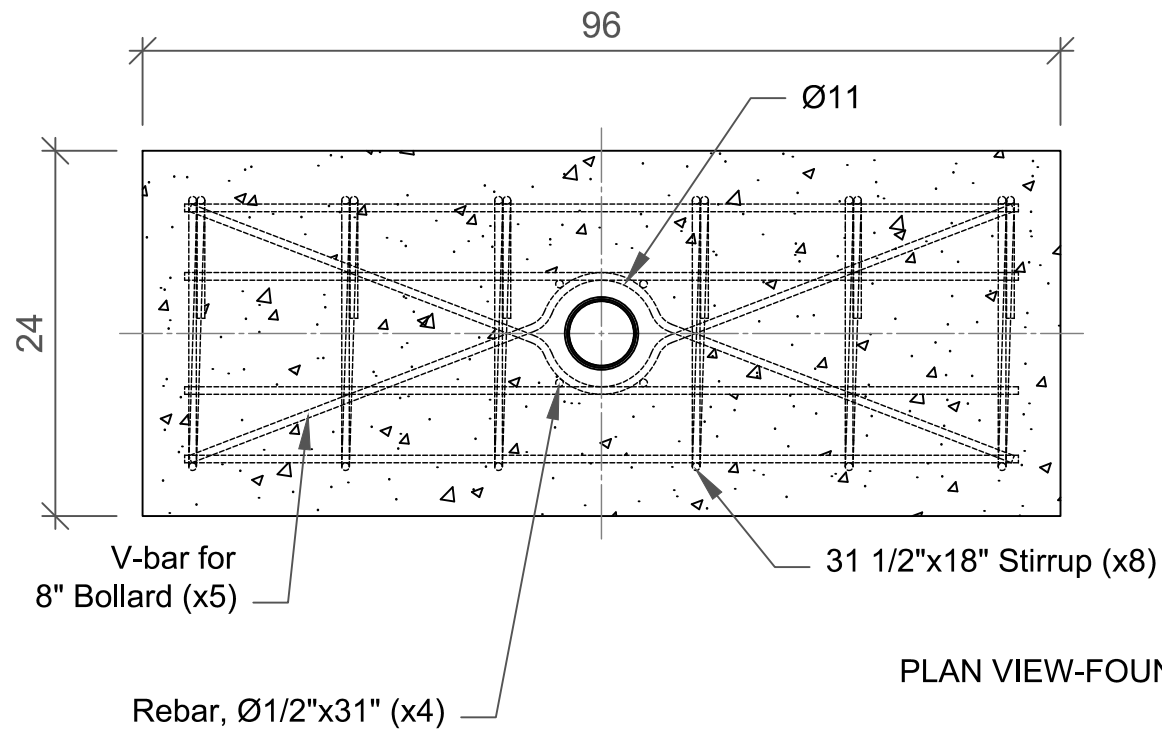
The Bollard Experts

- SELECT DESIRED MATERIAL:
(8" NOMINAL SIZE)
 - RCST08080 SCH 80 STAINLESS STEEL
 - RCST08080 SCH 80 ASTM A-53 CARBON STEEL
- SELECT DESIRED STAINLESS STEEL BOLLARD FINISH:
 - POLISHED #4 FINISH
 - AS SPECIFIED _____
- SELECT DESIRED CARBON STEEL BOLLARD FINISH:
 - POWDER COAT RAL # _____
 - AS SPECIFIED _____
- SELECT DESIRED STAINLESS STEEL BOLLARD MATERIAL:
 - TYPE 304
 - TYPE 316
- SELECT DESIRED BOLLARD CAP STYLE:
 -  DOME (SHOWN)
 -  STANDARD FLAT
 -  REVEAL
 -  SLOPED

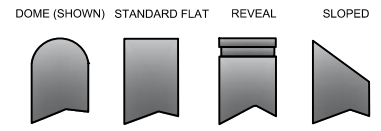
REVISIONS			
LTR	DESCRIPTION	DATE	APP

SPECIFICATIONS

HEIGHT: 36"
 DIAMETER: 8.625"
 WALL THICKNESS: 0.500"



PLAN VIEW-FOUNDATION



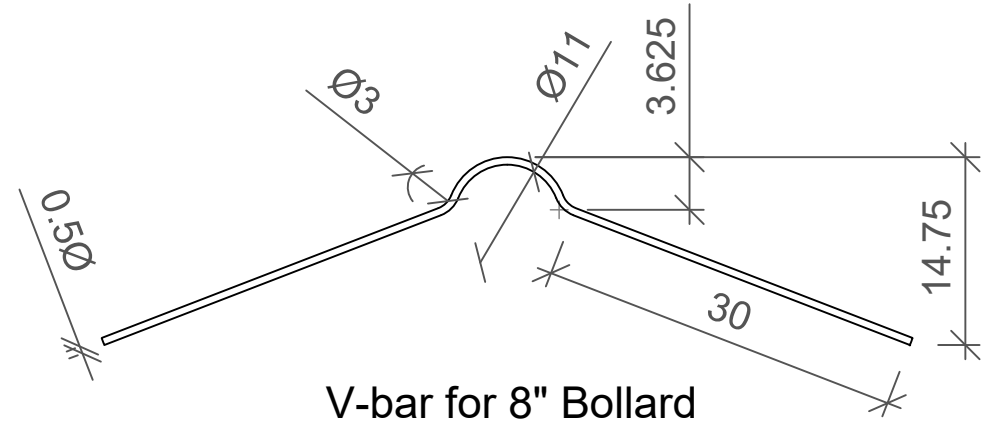
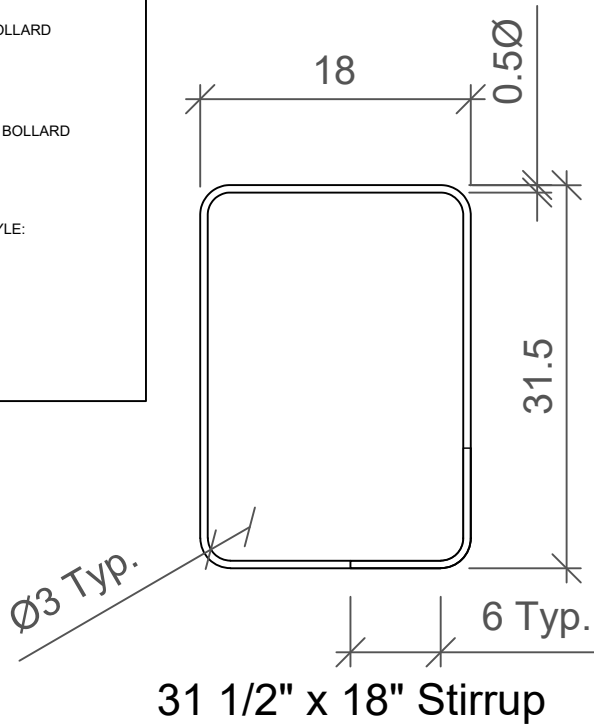
NOTES:
 1. INSTALLATION TO BE COMPLETED IN ACCORDANCE WITH MANUFACTURER'S SPECIFICATIONS.
 2. 1/8" NOT SCALE DRAWING.
 3. THIS DRAWING IS INTENDED FOR USE BY ARCHITECTS, ENGINEERS, CONTRACTORS, CONSULTANTS AND DESIGN PROFESSIONALS FOR PLANNING PURPOSES ONLY. THIS DRAWING
 4. ALL INFORMATION CONTAINED HEREIN WAS CURRENT AT THE TIME OF DEVELOPMENT BUT MUST BE REVIEWED AND APPROVED BY THE PRODUCT MANUFACTURER TO BE
 CONSIDERED ACCURATE.

APPLICATION		SERIES NUMBER XX-S060-XX	SIZE CODE 6NQU8	USE 3' CT REMOVABLE	DRAWING NUMBER
NEXT ASBY	USED IN	30 MPH CRASH TESTED			
		PRODUCT FAMILY STANDARD OR CUSTOMER DEFINED	DRAWN BY AJA	CHECKED BY	DRAWING REV#
		PRODUCT CLASS BOLLARD			SHEET 1 OF 1
		PRODUCT LINE REMOVABLE	APPROVED BY	RELEASE DATE	
		1-800-BOLLARDS, Inc. 10 Hughes Suite 1100 Irvine, CA 92618	TITLE: BOLLARD, CT REMOVABLE		
		PHONE: 1-800-BOLLARDS WEB: WWW.1800BOLLARDS.COM EMAIL: INFO@1800BOLLARDS.COM			

1-800-BOLLARDS

The Bollard Experts

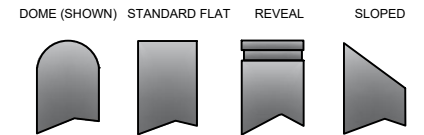
- SELECT DESIRED MATERIAL:
(8" NOMINAL SIZE)
 - RCST08080 SCH 80 STAINLESS STEEL
 - RCST08080 SCH 80 ASTM A-53 CARBON STEEL
- SELECT DESIRED STAINLESS STEEL BOLLARD FINISH:
 - POLISHED #4 FINISH
 - AS SPECIFIED _____
- SELECT DESIRED CARBON STEEL BOLLARD FINISH:
 - POWDER COAT RAL # _____
 - AS SPECIFIED _____
- SELECT DESIRED STAINLESS STEEL BOLLARD MATERIAL:
 - TYPE 304
 - TYPE 316
- SELECT DESIRED BOLLARD CAP STYLE:
 - DOME (SHOWN)
 - STANDARD FLAT
 - REVEAL
 - SLOPED



REVISIONS			
LTR	DESCRIPTION	DATE	APPV'D

COMMENTS

SPECIFICATIONS
HEIGHT: 36"
DIAMETER: 8.625"
WALL THICKNESS: 0.500"



NOTES:
 1. INSTALLATION TO BE COMPLETED IN ACCORDANCE WITH MANUFACTURER'S SPECIFICATIONS.
 2. DO NOT SCALE DRAWING.
 3. THIS DRAWING IS INTENDED FOR USE BY ARCHITECTS, ENGINEERS, CONTRACTORS, CONSULTANTS AND DESIGN PROFESSIONALS FOR PLANNING PURPOSES ONLY. THIS DRAWING AND ALL INFORMATION CONTAINED HEREIN WAS CURRENT AT THE TIME OF DEVELOPMENT BUT MUST BE REVIEWED AND APPROVED BY THE PRODUCT MANUFACTURER TO BE CONSIDERED ACCURATE.

APPLICATION		SERIES NUMBER: XX-S060-XX		CAGE CODE: 6NQJ8		SIZE: 8" CT REMOVABLE	
NEXT ASSY	USED ON	PRODUCT FAMILY:	30 MPH CRASH TESTED	PRODUCT CLASS:	STANDARD OR CUSTOMER DEFINED	DRAWN BY:	AJA
		PRODUCT LINE:	BOLLARD	CHECKED BY:		SHEET:	1 OF 1
		PRODUCT SUB LINE:	REMOVABLE	APPROVED BY:		RELEASE DATE:	
		1-800-BOLLARDS, Inc. 10 Hughes Sutter A105 Irvine, CA 92618 PHONE: 1-800-BOLLARDS WEB: WWW.1800BOLLARDS.COM EMAIL: INFO@1800BOLLARDS.COM				TITLE: BOLLARD, CT REMOVABLE	