
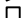


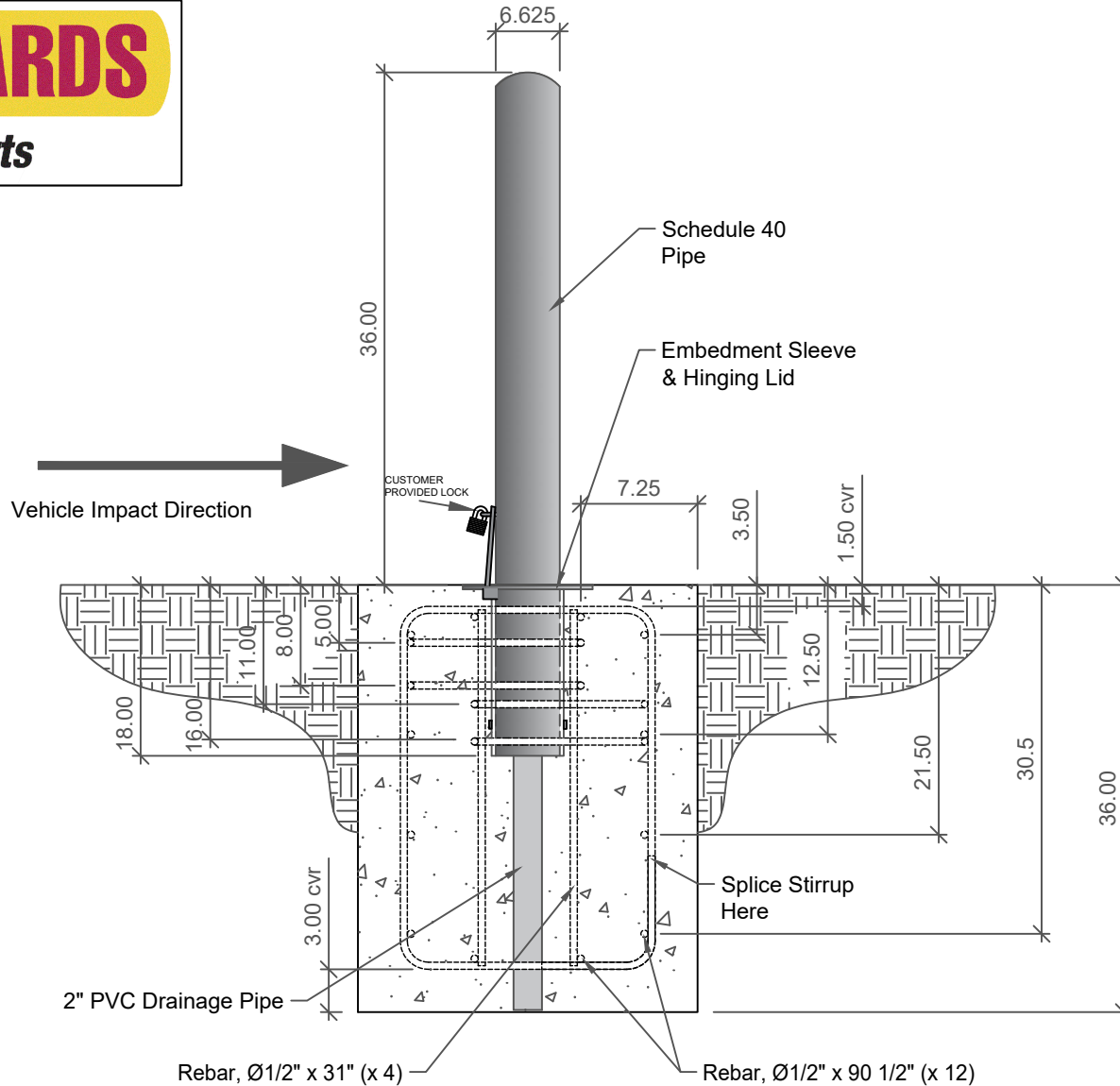


1-800-BOLLARDS

The Bollard Experts

- SELECT DESIRED MATERIAL:
(6" NOMINAL SIZE)
 - RPCSCT06040 SCH 40 STAINLESS STEEL
 - RPCSCT06040 SCH 40 ASTM A-53 CARBON STEEL
- SELECT DESIRED STAINLESS STEEL BOLLARD FINISH:
 - POLISHED #4 FINISH
 - AS SPECIFIED _____
- SELECT DESIRED CARBON STEEL BOLLARD FINISH:
 - POWDERCOAL RAL # _____
 - AS SPECIFIED _____
- SELECT DESIRED STAINLESS STEEL BOLLARD MATERIAL:
 - TYPE 304
 - TYPE 316
- SELECT DESIRED BOLLARD CAP STYLE:
 -  DOME (SHOWN)
 -  STANDARD FLAT
 -  REVEAL
 -  SLOPED



END VIEW-FOUNDATION

DOME (SHOWN) STANDARD FLAT REVEAL SLOPED



REVISIONS			
LTR	DESCRIPTION	DATE	APPVD
COMMENTS			
SPECIFICATIONS			
HEIGHT: 36"			
DIAMETER: 6.625"			
WALL THICKNESS: 0.280"			

SERIES NUMBER: XX-S060-XX	CAGE CODE: 6NGJ8	REV: 6" CT REMOVABLE	DRAWING NUMBER: 6" CT REMOVABLE
PRODUCT FAMILY: 20 MPH CRASH TESTED	DRAWN BY: AJA	CHECKED BY:	DRAWING REV:
PRODUCT CLASS: STANDARD OR CUSTOMER DEFINED	PRODUCT LINE: BOLLARD	APPROVED BY:	SHEET: 1 OF 1
PRODUCT SUB LINE: REMOVABLE	TITLE: BOLLARD, CT REMOVABLE		

APPLICATION	
NEXT ASSY	USED ON

1-800-BOLLARDS, Inc.
10 Hughes Suite A105
Irvine, CA 92618
PHONE: 1-800-BOLLARDS
WEB: WWW.1800BOLLARDS.COM
EMAIL: INFO@1800BOLLARDS.COM

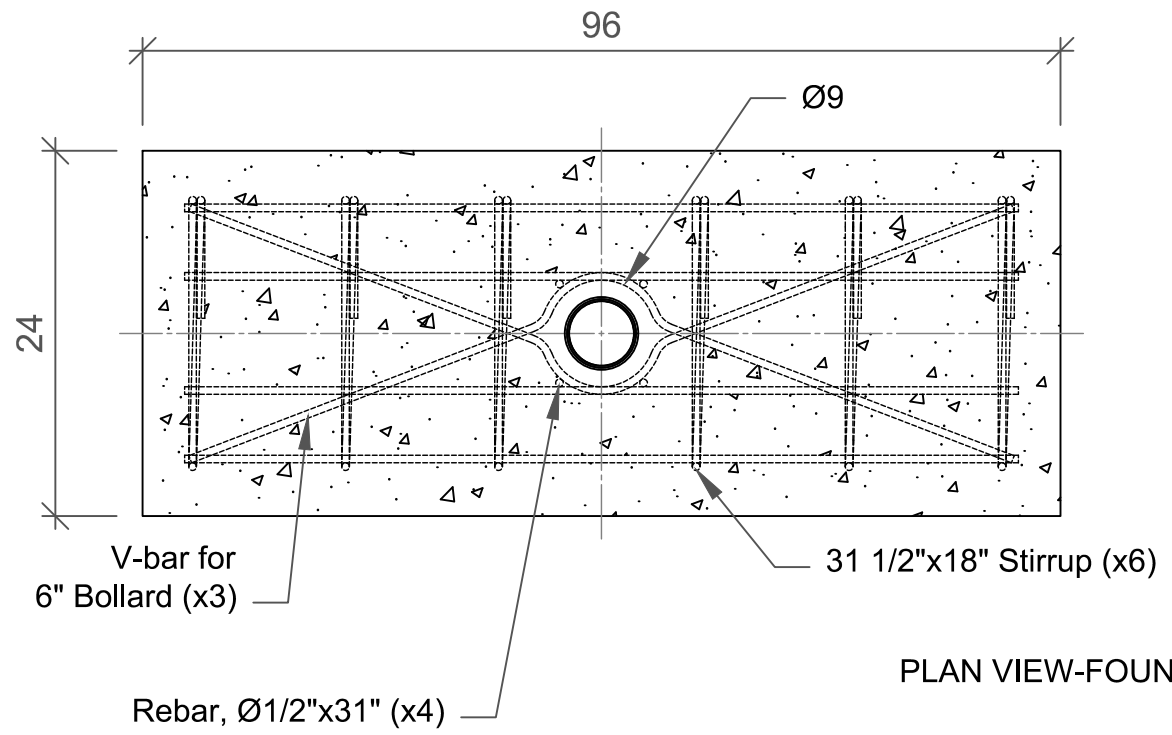
1. THIS DRAWING IS TO BE COMPLETED IN ACCORDANCE WITH MANUFACTURER'S SPECIFICATIONS.
2. DO NOT SCALE DRAWING.
3. THIS DRAWING IS INTENDED FOR USE BY ARCHITECTS, ENGINEERS, CONTRACTORS, GENERAL TRADERS AND DESIGN PROFESSIONALS FOR PLANNING PURPOSES ONLY. THIS DRAWING IS NOT TO BE USED FOR CONSTRUCTION.
4. ALL INFORMATION CONTAINED HEREIN WAS CURRENT AT THE TIME OF DEVELOPMENT BUT MUST BE REVIEWED AND APPROVED BY THE PRODUCT MANUFACTURER TO BE CONSIDERED ACCURATE.

1-800-BOLLARDS

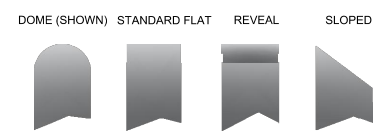
The Bollard Experts

REVISIONS			
LTR	DESCRIPTION	DATE	APP
COMMENTS			
SPECIFICATIONS			
HEIGHT:		36"	
DIAMETER:		6.625"	
WALL THICKNESS:		0.280"	

- SELECT DESIRED MATERIAL:
(6" NOMINAL SIZE)
 - RPCSCT06040 SCH 40 STAINLESS STEEL
 - RPCSCT06040 SCH 40 ASTM A-53 CARBON STEEL
- SELECT DESIRED STAINLESS STEEL BOLLARD FINISH:
 - POLISHED #4 FINISH
 - AS SPECIFIED _____
- SELECT DESIRED CARBON STEEL BOLLARD FINISH:
 - POWDERCOAL RAL # _____
 - AS SPECIFIED _____
- SELECT DESIRED STAINLESS STEEL BOLLARD MATERIAL:
 - TYPE 304
 - TYPE 316
- SELECT DESIRED BOLLARD CAP STYLE:
 - DOME (SHOWN)
 - STANDARD FLAT
 - REVEAL
 - SLOPED



PLAN VIEW-FOUNDATION







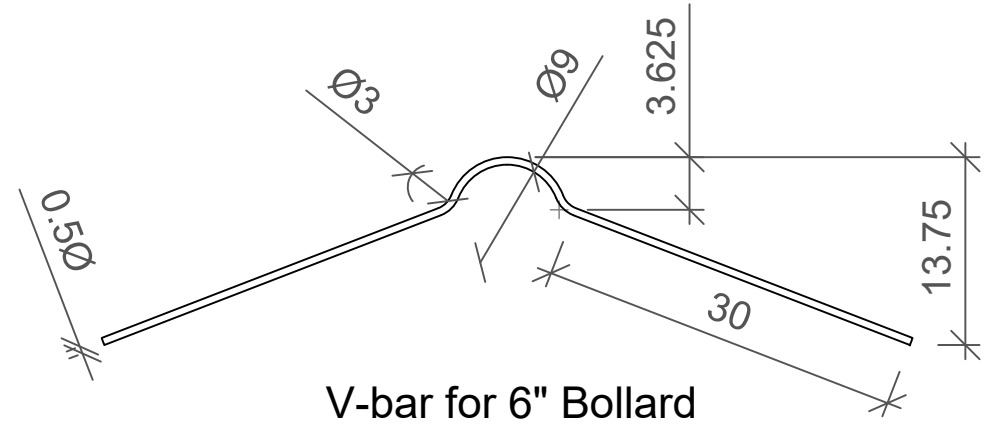
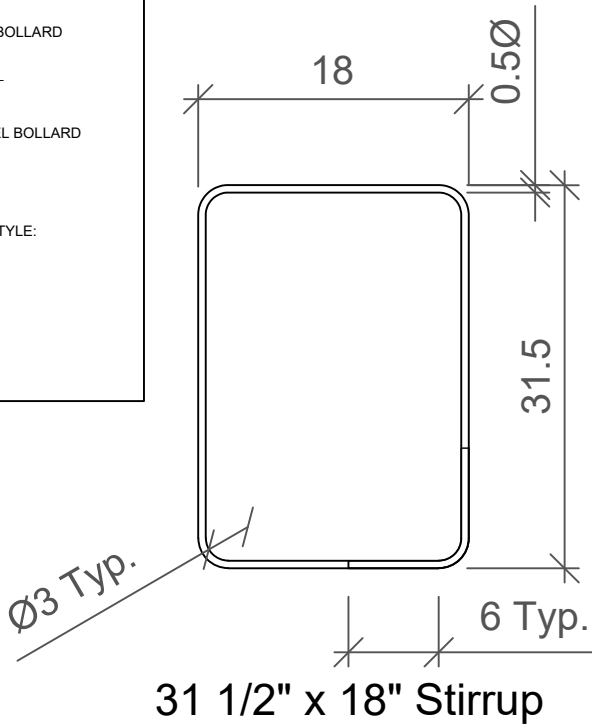
SERIES NUMBER: XX-S060-XX		SIZE CODE: GNGJ0	USE: 6" CT REMOVABLE
PRODUCT FAMILY: 20 MPH CRASH TESTED		DRAWN BY: AJA	DRAWING REV#:
PRODUCT CLASS: STANDARD OR CUSTOMER DEFINED		CREATED BY:	SHEET 1 OF 1
PRODUCT LINE: BOLLARD		APPROVED BY:	RELEASE DATE:
PRODUCT SUB LINE: REMOVABLE		TITLE: BOLLARD, CT REMOVABLE	

NOTES: 1. THIS DRAWING IS TO BE COMPLETED IN ACCORDANCE WITH MANUFACTURER'S SPECIFICATIONS.
2. ALL DIMENSIONS ARE UNLESS OTHERWISE SPECIFIED.
3. ALL DIMENSIONS ARE TO FACE UNLESS OTHERWISE SPECIFIED.
4. ALL DIMENSIONS ARE TO FACE UNLESS OTHERWISE SPECIFIED.
5. ALL DIMENSIONS ARE TO FACE UNLESS OTHERWISE SPECIFIED.

1-800-BOLLARDS

The Bollard Experts

- SELECT DESIRED MATERIAL:
(6" NOMINAL SIZE)
 - RPCSCT06040 SCH 40 STAINLESS STEEL
 - RPCSCT06040 SCH 40 ASTM A-53 CARBON STEEL
- SELECT DESIRED STAINLESS STEEL BOLLARD FINISH:
 - POLISHED #4 FINISH
 - AS SPECIFIED _____
- SELECT DESIRED CARBON STEEL BOLLARD FINISH:
 - POWDERCOAL RAL # _____
 - AS SPECIFIED _____
- SELECT DESIRED STAINLESS STEEL BOLLARD MATERIAL:
 - TYPE 304
 - TYPE 316
- SELECT DESIRED BOLLARD CAP STYLE:
 -  DOME (SHOWN)
 -  STANDARD FLAT
 -  REVEAL
 -  SLOPED



DOME (SHOWN) STANDARD FLAT REVEAL SLOPED



REVISIONS			
LTR	DESCRIPTION	DATE	APPVD

COMMENTS

SPECIFICATIONS

HEIGHT: 36"
DIAMETER: 6.625"
WALL THICKNESS: 0.280"

APPLICATION		SERIES NUMBER:	CAGE CODE:	SIZE:	DRAWING NUMBER:
NEXT ASSY	USED ON	XX-S060-XX	6NGJ8	6"	6" CT REMOVABLE
		PRODUCT FAMILY:			
		20 MPH CRASH TESTED			
		PRODUCT CLASS:			
		STANDARD OR CUSTOMER DEFINED			
		PRODUCT LINE:			
		BOLLARD			
		PRODUCT SUB LMD:			
		REMOVABLE			
		1-800-BOLLARDS, Inc.		DRAWN BY:	
		10 Hughes Sutte Al05		AJA	
		Irvine, CA 92618		DRAWING REV:	
		PHONE: 1-800-BOLLARDS		SHEET 1 OF 1	
		WEB: WWW.1800BOLLARDS.COM		CHECKED BY:	
		EMAIL: INFO@1800BOLLARDS.COM		APPROVED BY:	
				RELEASE DATE:	
				TITLE:	
				BOLLARD, CT REMOVABLE	

NOTES:
1. INSTALLATION TO BE COMPLETED IN ACCORDANCE WITH MANUFACTURER'S SPECIFICATIONS.
2. DO NOT SCALE DRAWING.
3. THIS DRAWING IS PROVIDED FOR USE BY ARCHITECTS, ENGINEERS, CONTRACTORS, CONSULTANTS AND DESIGN PROFESSIONALS FOR PLANNING PURPOSES ONLY. THIS DRAWING IS NOT TO BE USED FOR CONSTRUCTION. ALL DIMENSIONS AND CONDITIONS HEREIN ARE CURRENT AT THE TIME OF DEVELOPMENT BUT MUST BE REVIEWED AND APPROVED BY THE PRODUCT MANUFACTURER TO BE CONSIDERED ACCURATE.