



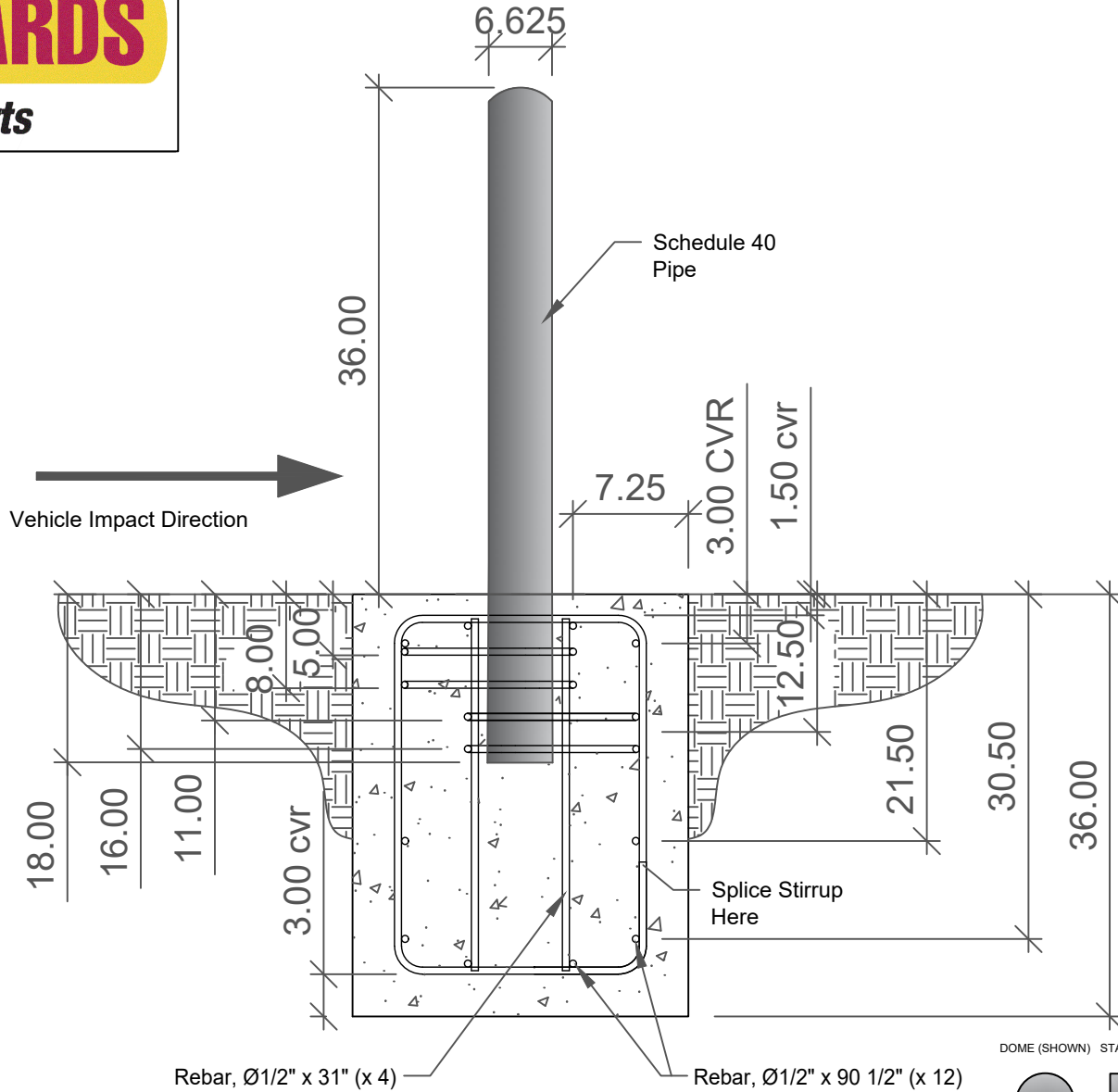


1-800-BOLLARDS

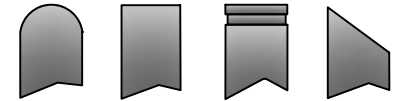
The Bollard Experts

- SELECT DESIRED MATERIAL:
(6" NOMINAL SIZE)
 - FCSC06040 SCH 40 STAINLESS STEEL
 - FCSC06040 SCH 40 ASTM A-53 CARBON STEEL
- SELECT DESIRED STAINLESS STEEL BOLLARD FINISH:
 - POLISHED #4 FINISH
 - AS SPECIFIED _____
- SELECT DESIRED CARBON STEEL BOLLARD FINISH:
 - POWDER COAT RAL # _____
 - AS SPECIFIED _____
- SELECT DESIRED STAINLESS STEEL BOLLARD MATERIAL:
 - TYPE 304
 - TYPE 316
- SELECT DESIRED BOLLARD CAP STYLE:
 -  DOME (SHOWN)
 -  STANDARD FLAT
 -  REVEAL
 -  SLOPED



REVISIONS			
LTR	DESCRIPTION	DATE	APPVD
COMMENTS			
SPECIFICATIONS			
HEIGHT: 36"			
DIAMETER: 6.625"			
WALL THICKNESS: 0.280"			

DOME (SHOWN) STANDARD FLAT REVEAL SLOPED



END VIEW-FOUNDATION

NOTES:
 1. INSTALLATION TO BE COMPLETED IN ACCORDANCE WITH MANUFACTURER'S SPECIFICATIONS.
 2. DO NOT SCALE DRAWING.
 3. THIS DRAWING IS INTENDED FOR USE BY ARCHITECTS, ENGINEERS, CONTRACTORS, CONSULTANTS AND DESIGN PROFESSIONALS FOR PLANNING PURPOSES ONLY. THIS DRAWING
 4. ALL INFORMATION CONTAINED HEREIN WAS CURRENT AT THE TIME OF DEVELOPMENT BUT MUST BE REVIEWED AND APPROVED BY THE PRODUCT MANUFACTURER TO BE CONSIDERED ACCURATE.

APPLICATION	
NEXT ASSY	USED ON

SERIES NUMBER: XX-S060-XX	CAGE CODE: 6NGJ8	REV: 6" CT FIXED	DRAWING NUMBER: 6" CT FIXED
PRODUCT FAMILY: 20 MPH CRASH TESTED	DRAWN BY: AJA	DRAWING REV: 1	SHEET: 1 OF 1
PRODUCT CLASS: STANDARD OR CUSTOMER DEFINED	CHECKED BY:	APPROVED BY:	RELEASE DATE:
PRODUCT LINE: BOLLARD	PRODUCT SUB LINE: FIXED	1-800-BOLLARDS, Inc. 10 Hughes Suite A105 Irvine, CA 92618 PHONE: 1-800-BOLLARDS WEB: WWW.1800BOLLARDS.COM EMAIL: INFO@1800BOLLARDS.COM	
BOLLARD, CT FIXED			

1-800-BOLLARDS

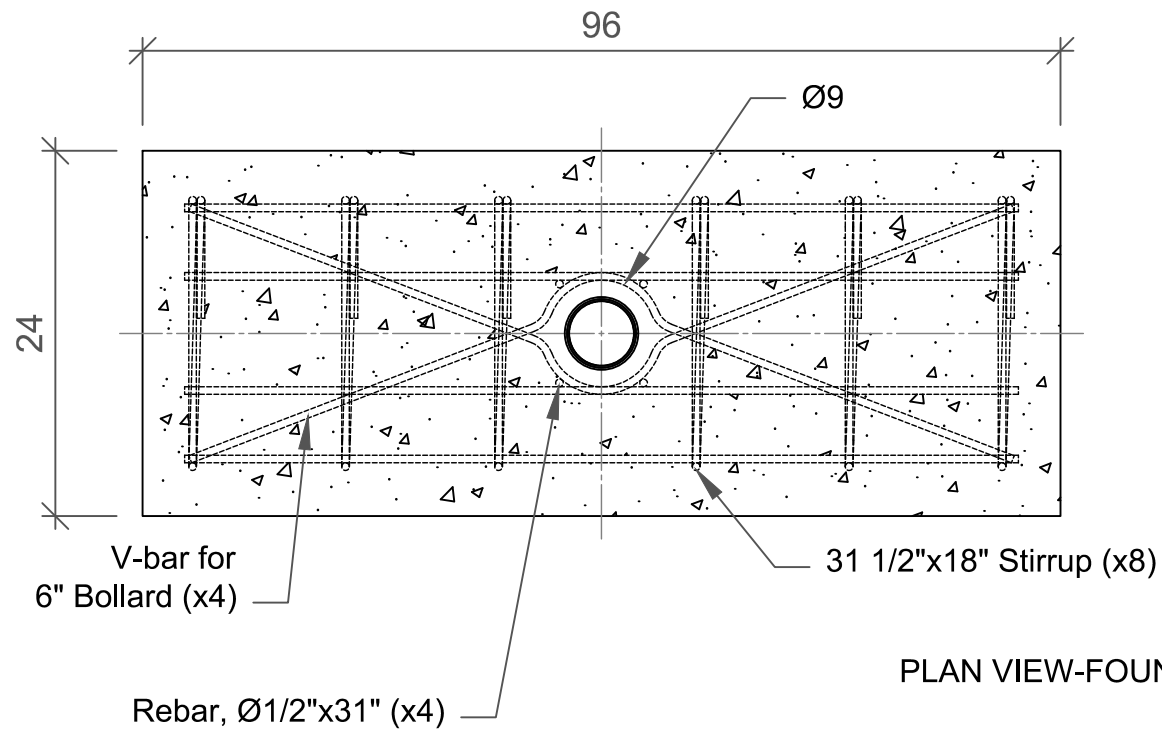
The Bollard Experts

- SELECT DESIRED MATERIAL:
(6" NOMINAL SIZE)
 - FCST06040 SCH 40 STAINLESS STEEL
 - FCST06040 SCH 40 ASTM A-53 CARBON STEEL
- SELECT DESIRED STAINLESS STEEL BOLLARD FINISH:
 - POLISHED #4 FINISH
 - AS SPECIFIED _____
- SELECT DESIRED CARBON STEEL BOLLARD FINISH:
 - POWDER COAT RAL # _____
 - AS SPECIFIED _____
- SELECT DESIRED STAINLESS STEEL BOLLARD MATERIAL:
 - TYPE 304
 - TYPE 316
- SELECT DESIRED BOLLARD CAP STYLE:
 - DOME (SHOWN)
 - STANDARD FLAT
 - REVEAL
 - SLOPED

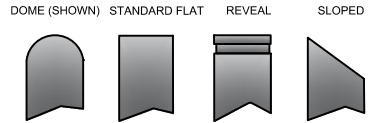
REVISIONS			
LTR	DESCRIPTION	DATE	APP

SPECIFICATIONS

HEIGHT: 36"
 DIAMETER: 6.625"
 WALL THICKNESS: 0.280"



PLAN VIEW-FOUNDATION



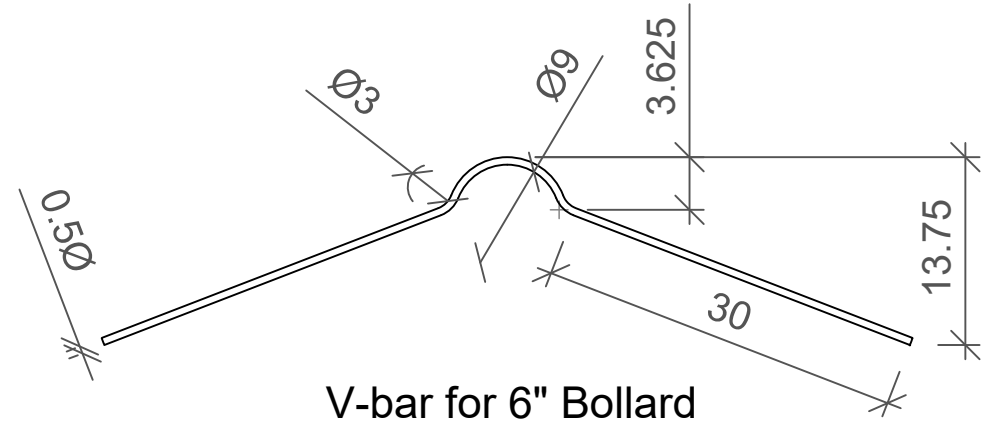
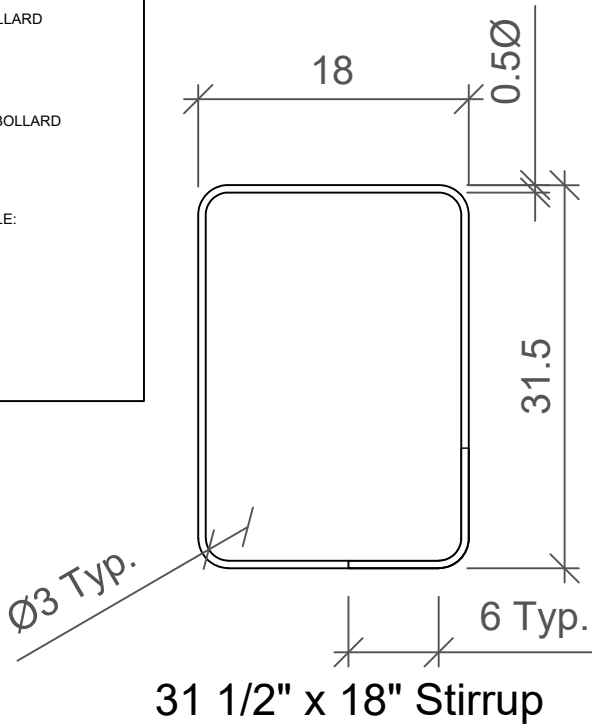
NOTES:
 1. INSTALLATION TO BE COMPLETED IN ACCORDANCE WITH MANUFACTURER'S SPECIFICATIONS.
 2. DO NOT SCALE DRAWING.
 3. THIS DRAWING IS INTENDED FOR USE BY ARCHITECTS, ENGINEERS, CONTRACTORS, CONSULTANTS AND DESIGN PROFESSIONALS FOR PLANNING PURPOSES ONLY. THIS DRAWING
 4. ALL INFORMATION CONTAINED HEREIN WAS CURRENT AT THE TIME OF DEVELOPMENT BUT MUST BE REVIEWED AND APPROVED BY THE PRODUCT MANUFACTURER TO BE
 CONSIDERED ACCURATE.

APPLICATION		SERIES NUMBER		SPEC CODE		REV		DRAWING NUMBER	
NEXT ASBY	USED IN	1-800-BOLLARDS, Inc.	XX-S060-XX	6NQJ0	8"	CT	FIXED	8"	CT
		20 MPH CRASH TESTED							
		STANDARD OR CUSTOMER DEFINED		DRAWN BY		AJA		DRAWING REV	
		FIXED		CHECKED BY				SHEET 1 OF 1	
		1-800-BOLLARDS, Inc.		APPROVED BY				RELEASE DATE	
		10 Hughes Suite 1100		TITLE:				BOLLARD, CT FIXED	
		Irvine, CA 92618							
		PHONE: 1-800-BOLLARDS							
		WEB: WWW.1800BOLLARDS.COM							
		EMAIL: INFO@1800BOLLARDS.COM							

1-800-BOLLARDS

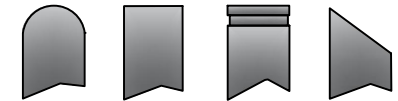
The Bollard Experts

- SELECT DESIRED MATERIAL: (6" NOMINAL SIZE)
 - FCSCT06040 SCH 40 STAINLESS STEEL
 - FCSCT06040 SCH 40 ASTM A-53 CARBON STEEL
- SELECT DESIRED STAINLESS STEEL BOLLARD FINISH:
 - POLISHED #4 FINISH
 - AS SPECIFIED _____
- SELECT DESIRED CARBON STEEL BOLLARD FINISH:
 - POWDER COAT RAL # _____
 - AS SPECIFIED _____
- SELECT DESIRED STAINLESS STEEL BOLLARD MATERIAL:
 - TYPE 304
 - TYPE 316
- SELECT DESIRED BOLLARD CAP STYLE:
 - DOME (SHOWN)
 - STANDARD FLAT
 - REVEAL
 - SLOPED



REVISIONS			
LTR	DESCRIPTION	DATE	APP'VD
COMMENTS			
SPECIFICATIONS			
HEIGHT: 36"			
DIAMETER: 6.625"			
WALL THICKNESS: 0.280"			

DOME (SHOWN) STANDARD FLAT REVEAL SLOPED



NOTES:
 1. INSTALLATION TO BE COMPLETED IN ACCORDANCE WITH MANUFACTURER'S SPECIFICATIONS.
 2. DO NOT SCALE DRAWING.
 3. THIS DRAWING IS INTENDED FOR USE BY ARCHITECTS, ENGINEERS, CONTRACTORS, CONSULTANTS AND DESIGN PROFESSIONALS FOR PLANNING PURPOSES ONLY. THIS DRAWING
 4. ALL INFORMATION CONTAINED HEREIN WAS CURRENT AT THE TIME OF DEVELOPMENT BUT MUST BE REVIEWED AND APPROVED BY THE PRODUCT MANUFACTURER TO BE
 CONSIDERED ACCURATE.

APPLICATION	USED ON	SERIES NUMBER: XX-S060-XX	CAGE CODE: 6NGJ8	SIZE: 6" CT FIXED	DRAWING NUMBER:				
		PRODUCT FAMILY: 20 MPH CRASH TESTED	PRODUCT CLASS: STANDARD OR CUSTOMER DEFINED	PRODUCT LINE: BOLLARD	PRODUCT SUB LHM: FIXED	DRAWN BY: AJA	CHECKED BY:	APPROVED BY:	BRANDING REV:
		1-800-BOLLARDS, Inc.			TITLE:				
		10 Hughes Sutter ALD5 Irvine, CA 92618			BOLLARD, CT FIXED				
		PHONE: 1-800-BOLLARDS							
		WEB: WWW.1800BOLLARDS.COM							
		EMAIL: INFO@1800BOLLARDS.COM							