



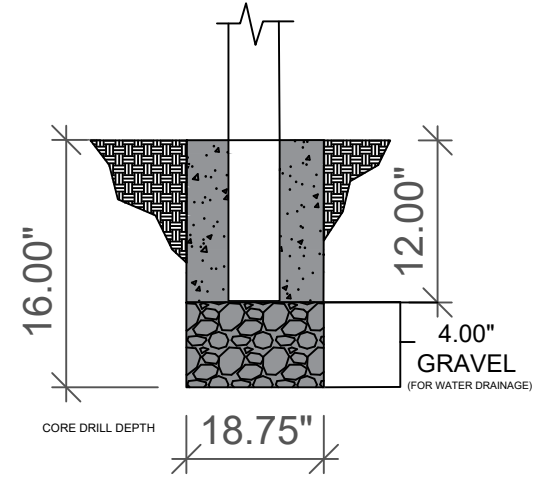
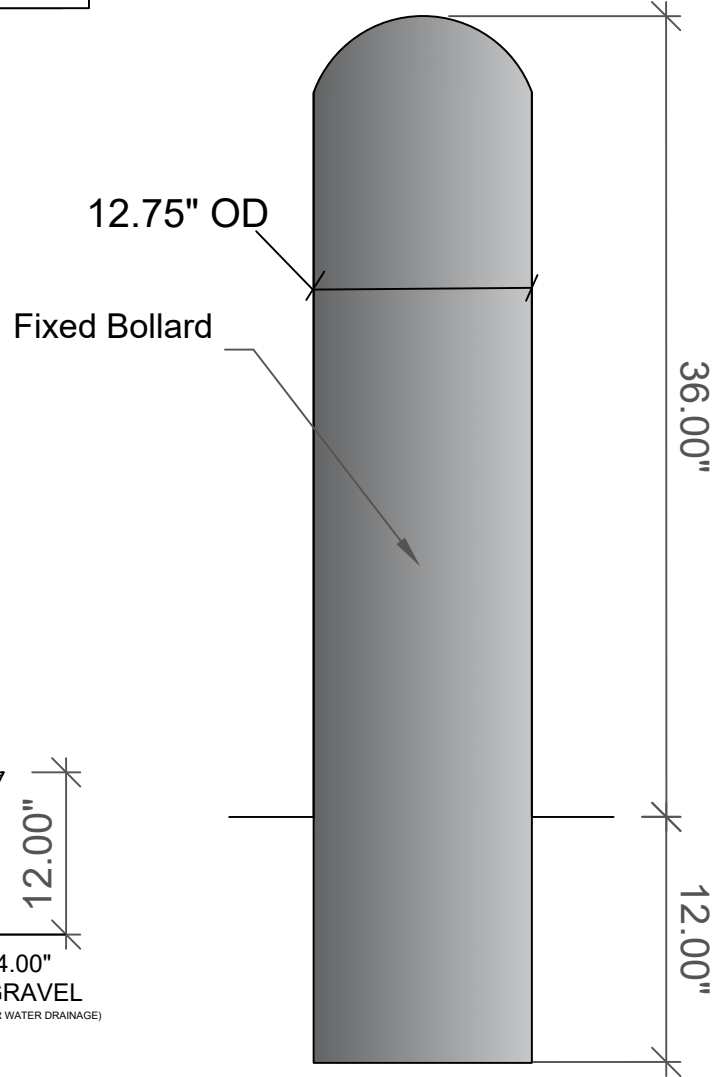
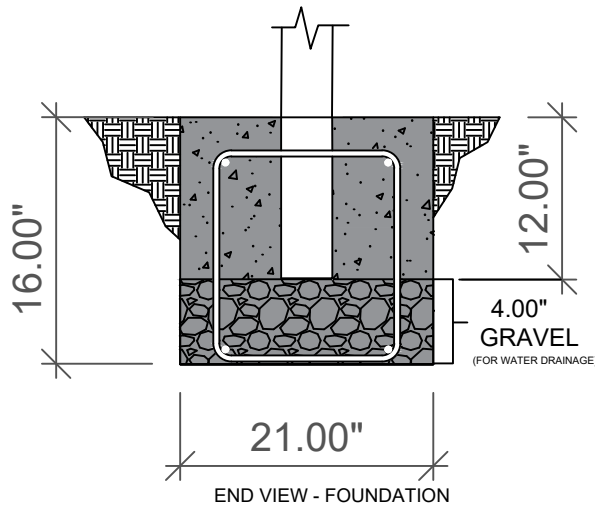


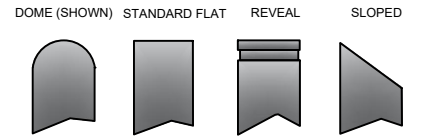
1-800-BOLLARDS

The Bollard Experts

- SELECT DESIRED MATERIAL:
(12" NOMINAL SIZE)
 - FSS12000 SCH 10 STAINLESS STEEL
 - FSS12040 SCH 40 STAINLESS STEEL
 - FSS12080 SCH 80 STAINLESS STEEL
 - FCS12040 SCH 40 ASTM A-53 CARBON STEEL
 - FCS12080 SCH 80 ASTM A-53 CARBON STEEL
- SELECT DESIRED STAINLESS STEEL BOLLARD FINISH:
 - POLISHED #4 FINISH
 - AS SPECIFIED _____
- SELECT DESIRED CARBON STEEL BOLLARD FINISH:
 - POWDER COAT RAL # _____
 - AS SPECIFIED _____
- SELECT DESIRED STAINLESS STEEL BOLLARD MATERIAL:
 - TYPE 304
 - TYPE 316
- SELECT DESIRED BOLLARD CAP STYLE:
 -  DOME (SHOWN)
 -  STANDARD FLAT
 -  REVEAL
 -  SLOPED



CORE DRILL MINIMUM DIAMETER



REVISIONS			
LTR	DESCRIPTION	DATE	APP'VD
COMMENTS			
SPECIFICATIONS			
HEIGHT: 36"			
DIAMETER: 12.75"			
WALL THICKNESS: 0.280" SCHED 40			

APPLICATION	
NEXT ASSY	USED ON

SERIES NUMBER: XX-S060-XX	CAGE CODE: 6NGJB	REV: 6	DRAWING NUMBER: 6in Cutsheet Size A - R1
PRODUCT FAMILY: FIXED BOLLARD	DRAWN BY: AJA	DRAWING REV: 	
PRODUCT CLASS: STANDARD OR CUSTOMER DEFINED	CHECKED BY: 	SHEET: 1 OF 1	
PRODUCT LINE: BOLLARD	APPROVED BY: 	RELEASE DATE: 	
PRODUCT SUB LINE: FIXED	TITLE: BOLLARD, FIXED		
1-800-BOLLARDS, Inc. 10 Hughes Suite A105 Irvine, CA 92618 PHONE: 1-800-BOLLARDS WEB: WWW.1800BOLLARDS.COM EMAIL: INFO@1800BOLLARDS.COM			

1. INSTALLATION TO BE COMPLETED IN ACCORDANCE WITH MANUFACTURER'S SPECIFICATIONS.
 2. DO NOT SCALE DRAWING.
 3. THIS DRAWING IS INTENDED FOR USE BY ARCHITECTS, ENGINEERS, CONTRACTORS, CONSULTANTS AND DESIGN PROFESSIONALS FOR PLANNING PURPOSES ONLY. THIS DRAWING
 4. ALL INFORMATION CONTAINED HEREIN WAS CURRENT AT THE TIME OF DEVELOPMENT BUT MUST BE REVIEWED AND APPROVED BY THE PRODUCT MANUFACTURER TO BE
 CONSIDERED ACCURATE.