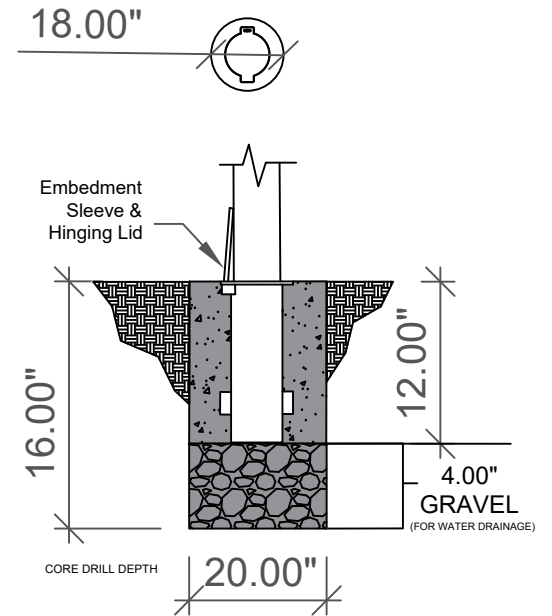
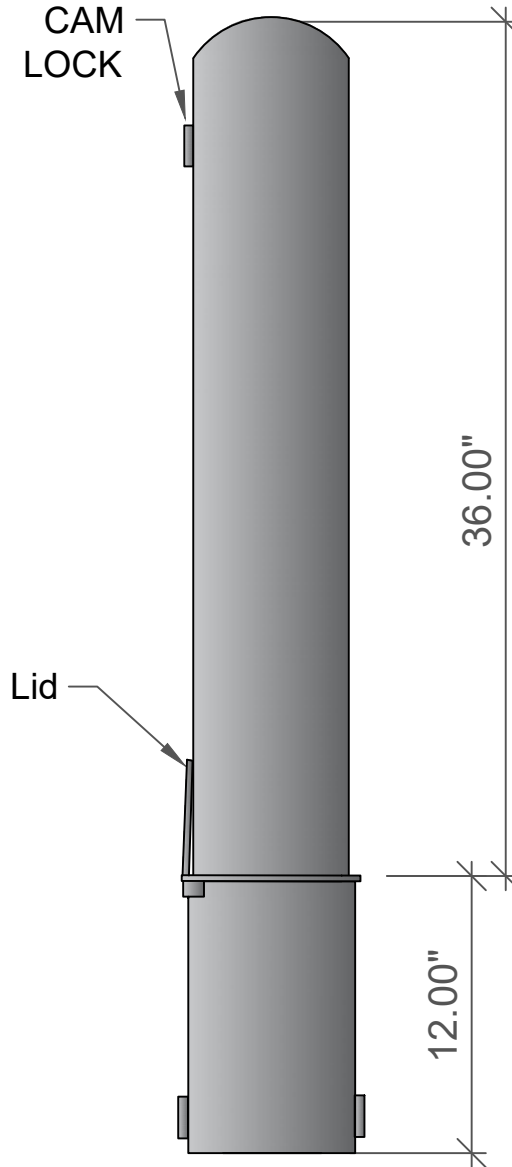
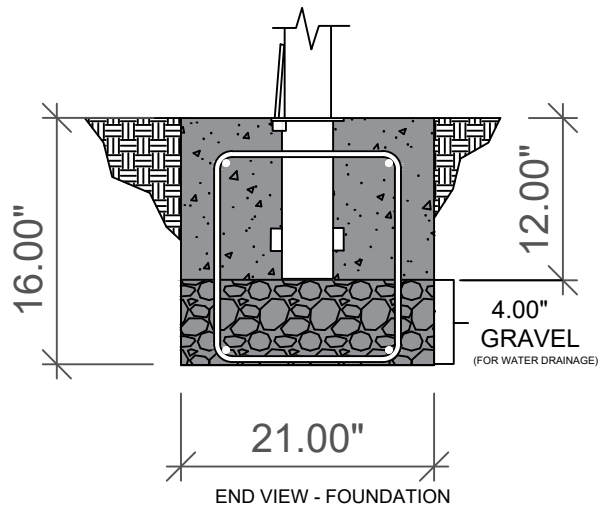


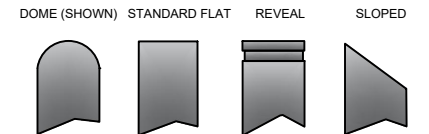
1-800-BOLLARDS

The Bollard Experts

- SELECT DESIRED MATERIAL:
(12" NOMINAL SIZE)
- RSS12000 SCH 10 STAINLESS STEEL
 - RSS12040 SCH 40 STAINLESS STEEL
 - RSS12080 SCH 80 STAINLESS STEEL
 - RCS12040 SCH 40 ASTM A-53 CARBON STEEL
 - RCS12080 SCH 80 ASTM A-53 CARBON STEEL
- SELECT DESIRED STAINLESS STEEL BOLLARD FINISH:
- POLISHED #4 FINISH
 - AS SPECIFIED _____
- SELECT DESIRED CARBON STEEL BOLLARD FINISH:
- POWDER COAT RAL # _____
 - AS SPECIFIED _____
- SELECT DESIRED STAINLESS STEEL BOLLARD MATERIAL:
- TYPE 304
 - TYPE 316
- SELECT DESIRED BOLLARD CAP STYLE:
- DOME (SHOWN)
 - STANDARD FLAT
 - REVEAL
 - SLOPED



CORE DRILL MINIMUM DIAMETER



REVISIONS			
LTR	DESCRIPTION	DATE	APPV'D
COMMENTS			
SPECIFICATIONS			
HEIGHT: 36"			
DIAMETER: 12.75"			
WALL THICKNESS: 0.280" SCHED 40			

NOTES:
1. INSTALLATION TO BE COMPLETED IN ACCORDANCE WITH MANUFACTURER'S SPECIFICATIONS.
2. DO NOT SCALE DRAWING.
3. THIS DRAWING IS INTENDED FOR USE BY ARCHITECTS, ENGINEERS, CONTRACTORS, CONSULTANTS AND DESIGN PROFESSIONALS FOR PLANNING PURPOSES ONLY. THIS DRAWING AND ALL INFORMATION CONTAINED HEREIN WAS CURRENT AT THE TIME OF DEVELOPMENT BUT MUST BE REVIEWED AND APPROVED BY THE PRODUCT MANUFACTURER TO BE CONSIDERED ACCURATE.

APPLICATION		SERIES NUMBER	CAGE CODE	REV	DRAWING NUMBER
NEXT ASSY	USED ON	XX-S060-XX	6NGJ8		REMOVABLE
		PRODUCT FAMILY			
		REMOVABLE			
		PRODUCT CLASS		BRAWN BY: AJA	DRAWING REV:
		STANDARD OR CUSTOMER DEFINED		CHECKED BY:	SHEET: 1 OF 1
		BOLLARD		APPROVED BY:	RELEASE DATE:
		PRODUCT SUB LINE: INTERNAL REMOVABLE		TITL	
		1-800-BOLLARDS, Inc.		BOLLARD, INTERNAL REMOVABLE	
		10 Hughes Suite A105			
		Irvine, CA 92618			
		PHONE: 1-800-BOLLARDS			
		WEB: WWW.1800BOLLARDS.COM			
		EMAIL: INFO@1800BOLLARDS.COM			