



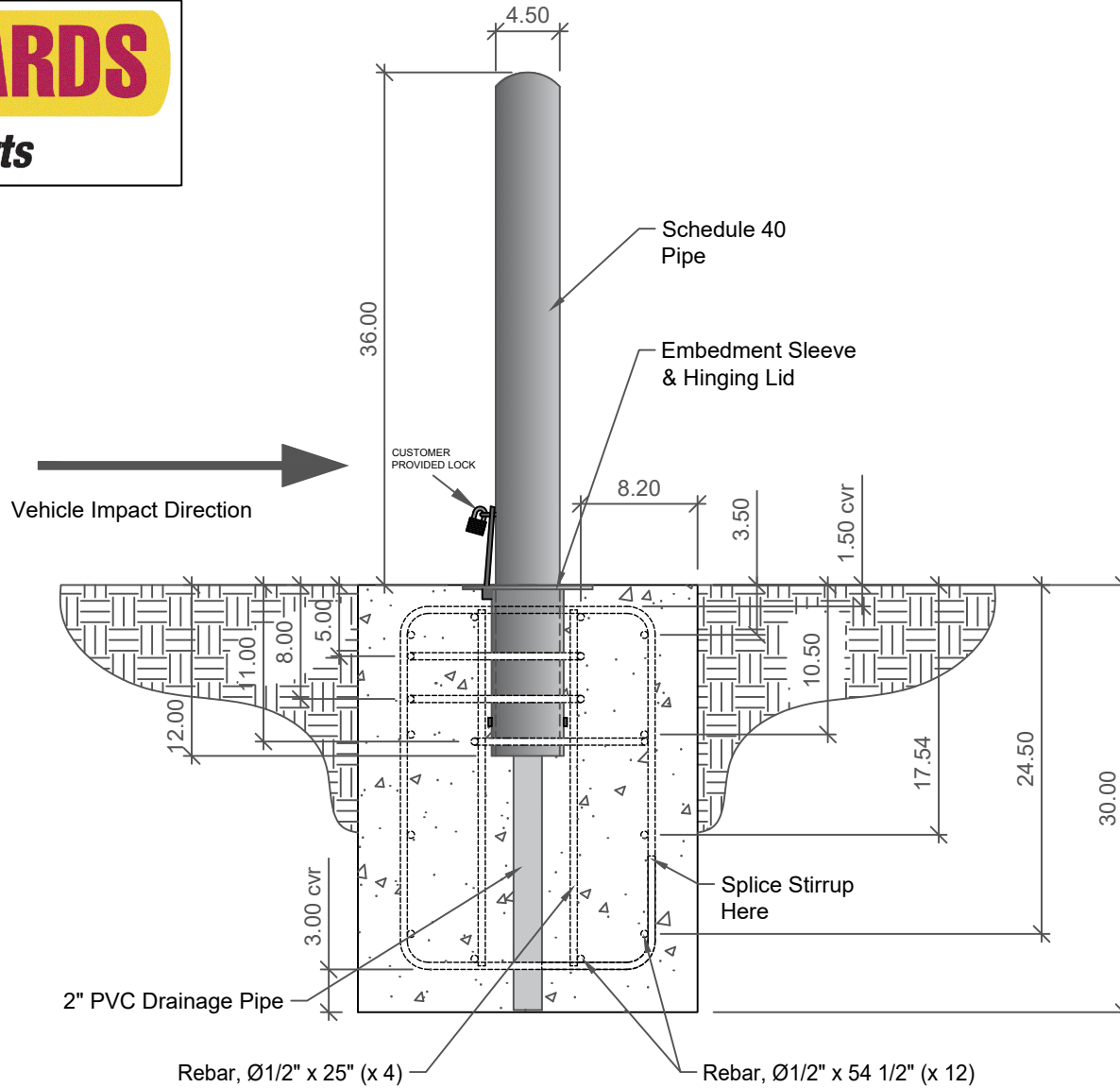


1-800-BOLLARDS

The Bollard Experts

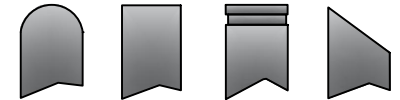
- SELECT DESIRED MATERIAL:
(4" NOMINAL SIZE)
 - RPCSCT4040 SCH 40 STAINLESS STEEL
 - RPCSCT04040 SCH 40 ASTM A-53 CARBON STEEL
- SELECT DESIRED STAINLESS STEEL BOLLARD FINISH:
 - POLISHED #4 FINISH
 - AS SPECIFIED _____
- SELECT DESIRED CARBON STEEL BOLLARD FINISH:
 - POWDER COAT RAL # _____
 - AS SPECIFIED _____
- SELECT DESIRED STAINLESS STEEL BOLLARD MATERIAL:
 - TYPE 304
 - TYPE 316
- SELECT DESIRED BOLLARD CAP STYLE:
 -  DOME (SHOWN)
 -  STANDARD FLAT
 -  REVEAL
 -  SLOPED



Vehicle Impact Direction

END VIEW-FOUNDATION

DOME (SHOWN) STANDARD FLAT REVEAL SLOPED







REVISIONS			
LTR	DESCRIPTION	DATE	APPVD
COMMENTS			
SPECIFICATIONS			
HEIGHT: 36"			
DIAMETER: 4.50"			
WALL THICKNESS: 0.280"			

NOTES:
 1. INSTALLATION TO BE COMPLETED IN ACCORDANCE WITH MANUFACTURER'S SPECIFICATIONS.
 2. DO NOT SCALE DRAWING.
 3. THIS DRAWING IS INTENDED FOR USE BY ARCHITECTS, ENGINEERS, CONTRACTORS, CONSULTANTS AND DESIGN PROFESSIONALS FOR PLANNING PURPOSES ONLY. THIS DRAWING
 4. ALL INFORMATION CONTAINED HEREIN WAS CURRENT AT THE TIME OF DEVELOPMENT BUT MUST BE REVIEWED AND APPROVED BY THE PRODUCT MANUFACTURER TO BE CONSIDERED ACCURATE.

APPLICATION		SERIES NUMBER: XX-S060-XX		CAGE CODE: 6NGJ8		REV: 4"		DRAWING NUMBER: 4" CT REMOVABLE	
NEXT ASSY	USED ON	PRODUCT FAMILY: 10 MPH CRASH TESTED	PRODUCT CLASS: STANDARD OR CUSTOMER DEFINED	DRAWN BY: AJA	CHECKED BY:	APPROVED BY:	RELEASE DATE:	TITLE: BOLLARD, CT REMOVABLE	
		PRODUCT LINE: BOLLARD	PRODUCT SUB LINE: REMOVABLE						
		1-800-BOLLARDS, Inc. 10 Hughes Suite A105 Irvine, CA 92618		PHONE: 1-800-BOLLARDS		WEB: www.1800BOLLARDS.COM		EMAIL: info@1800BOLLARDS.COM	

1-800-BOLLARDS

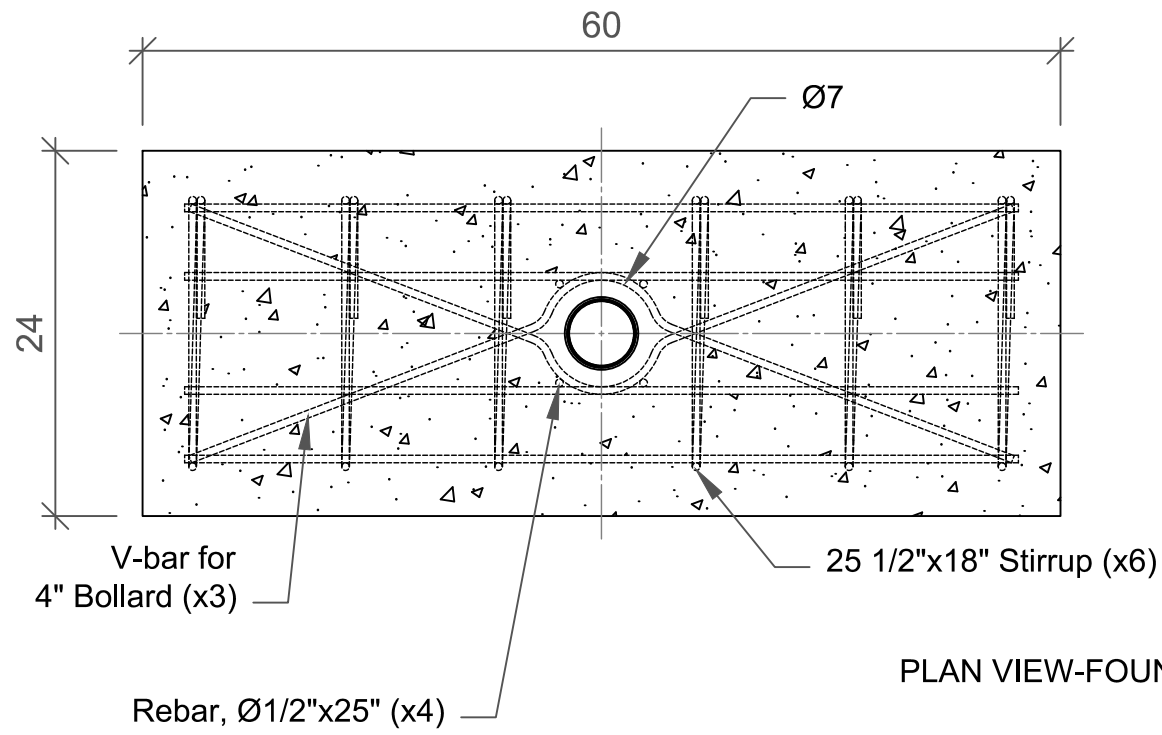
The Bollard Experts

- SELECT DESIRED MATERIAL:
(4" NOMINAL SIZE)
 - RPCSCT4040 SCH 40 STAINLESS STEEL
 - RPCSCT04040 SCH 40 ASTM A-53 CARBON STEEL
- SELECT DESIRED STAINLESS STEEL BOLLARD FINISH:
 - POLISHED #4 FINISH
 - AS SPECIFIED _____
- SELECT DESIRED CARBON BOLLARD FINISH:
 - POWDER COAT RAL # _____
 - AS SPECIFIED _____
- SELECT DESIRED STAINLESS STEEL BOLLARD MATERIAL:
 - TYPE 304
 - TYPE 316
- SELECT DESIRED BOLLARD CAP STYLE:
 -  DOME (SHOWN)
 -  STANDARD FLAT
 -  REVEAL
 -  SLOPED

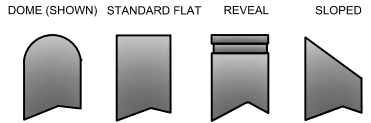
REVISIONS			
LTR	DESCRIPTION	DATE	APP

SPECIFICATIONS

HEIGHT: 36"
DIAMETER: 4.50"
WALL THICKNESS: 0.280"



PLAN VIEW-FOUNDATION







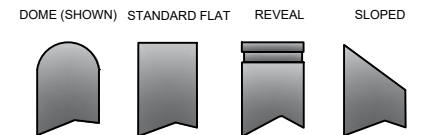
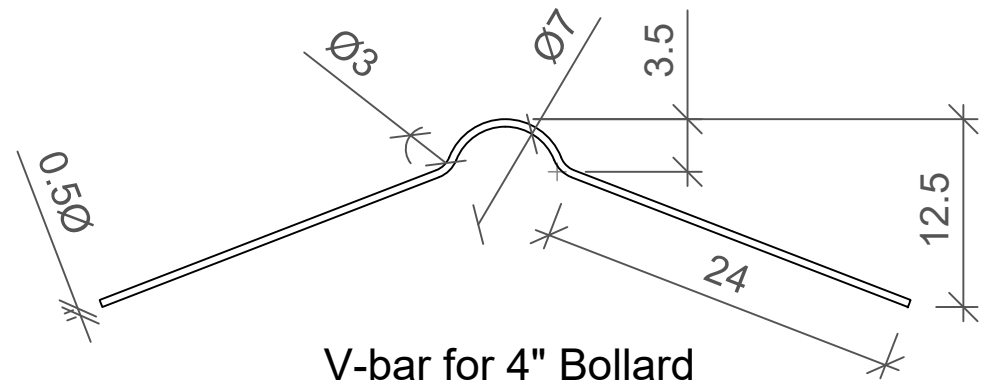
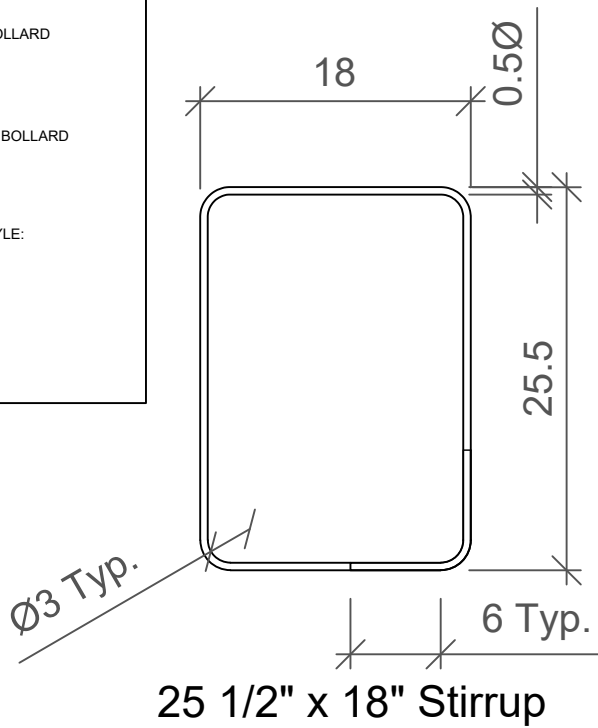
NOTES:
 1. INSTALLATION TO BE COMPLETED IN ACCORDANCE WITH MANUFACTURER'S SPECIFICATIONS.
 2. DO NOT SCALE DRAWING.
 3. THIS DRAWING IS INTENDED FOR USE BY ARCHITECTS, ENGINEERS, CONTRACTORS, CONSULTANTS AND DESIGN PROFESSIONALS FOR PLANNING PURPOSES ONLY. THIS DRAWING
 4. ALL INFORMATION CONTAINED HEREIN WAS CURRENT AT THE TIME OF DEVELOPMENT BUT MUST BE REVIEWED AND APPROVED BY THE PRODUCT MANUFACTURER TO BE CONSIDERED ACCURATE.

APPLICATION		1-800-BOLLARDS, Inc. 10 Hughes Suite 1100 Irvine, CA 92618 PHONE: 1-800-BOLLARDS WEB: WWW.1800BOLLARDS.COM EMAIL: INFO@1800BOLLARDS.COM		SIZE CODE 6NQLJ8		USE 4" CT REMOVABLE		DRAWING NUMBER 4" CT REMOVABLE	
NEXT ASBY	USED IN	PRODUCT FAMILY: 10 MPH CRASH TESTED		DRAWN BY: AJA		CHECKED BY:		SHEET 1 OF 1	
		PRODUCT CLASS: STANDARD OR CUSTOMER DEFINED		DESIGNED BY:		APPROVED BY:		RELEASE DATE:	
		PRODUCT LINE: BOLLARD		PRODUCT SUB LINE: REMOVABLE		TITLE:		BOLLARD, CT REMOVABLE	

1-800-BOLLARDS

The Bollard Experts

- SELECT DESIRED MATERIAL:
(4" NOMINAL SIZE)
 - RPCSCT4040 SCH 40 STAINLESS STEEL
 - RPCSCT04040 SCH 40 ASTM A-53 CARBON STEEL
- SELECT DESIRED STAINLESS STEEL BOLLARD FINISH:
 - POLISHED #4 FINISH
 - AS SPECIFIED _____
- SELECT DESIRED CARBON STEEL BOLLARD FINISH:
 - POWDER COAT RAL # _____
 - AS SPECIFIED _____
- SELECT DESIRED STAINLESS STEEL BOLLARD MATERIAL:
 - TYPE 304
 - TYPE 316
- SELECT DESIRED BOLLARD CAP STYLE:
 -  DOME (SHOWN)
 -  STANDARD FLAT
 -  REVEAL
 -  SLOPED



REVISIONS			
LTR	DESCRIPTION	DATE	APP'VD
COMMENTS			

SPECIFICATIONS
 HEIGHT: 36"
 DIAMETER: 4.50"
 WALL THICKNESS: 0.280"

NOTES:
 1. INSTALLATION TO BE COMPLETED IN ACCORDANCE WITH MANUFACTURER'S SPECIFICATIONS.
 2. DO NOT SCALE DRAWING.
 3. THIS DRAWING IS INTENDED FOR USE BY ARCHITECTS, ENGINEERS, CONTRACTORS, CONSULTANTS AND DESIGN PROFESSIONALS FOR PLANNING PURPOSES ONLY. THIS DRAWING AND ALL INFORMATION CONTAINED HEREIN WAS CURRENT AT THE TIME OF DEVELOPMENT BUT MUST BE REVIEWED AND APPROVED BY THE PRODUCT MANUFACTURER TO BE CONSIDERED ACCURATE.

APPLICATION		SERIES NUMBER: XX-S060-XX	CAGE CODE: 6NGJ8	SIZE: 4" CT REMOVABLE
NEXT ASSY	USED IN	PRODUCT FAMILY: 10 MPH CRASH TESTED	DRAWING NUMBER: 6NGJ8	DRAWN BY: AJA
		PRODUCT CLASS: STANDARD OR CUSTOMER DEFINED	CHECKED BY: AJA	DRAWING REV: 1
		PRODUCT LINE: BOLLARD	APPROVED BY:	SHEET 1 OF 1
		PRODUCT SUB LINE: REMOVABLE	RELEASE DATE:	
		1-800-BOLLARDS, Inc. 10 Hughes Sutte ALOS Irvine, CA 92618 PHONE: 1-800-BOLLARDS WEB: WWW.1800BOLLARDS.COM EMAIL: INFO@1800BOLLARDS.COM		TITLE: BOLLARD, CT REMOVABLE