



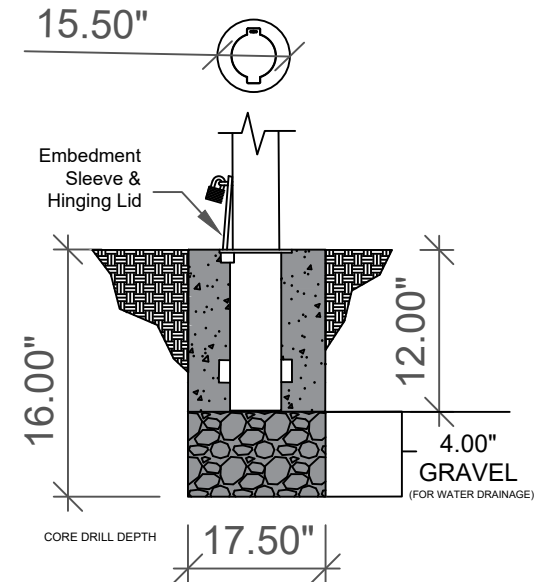
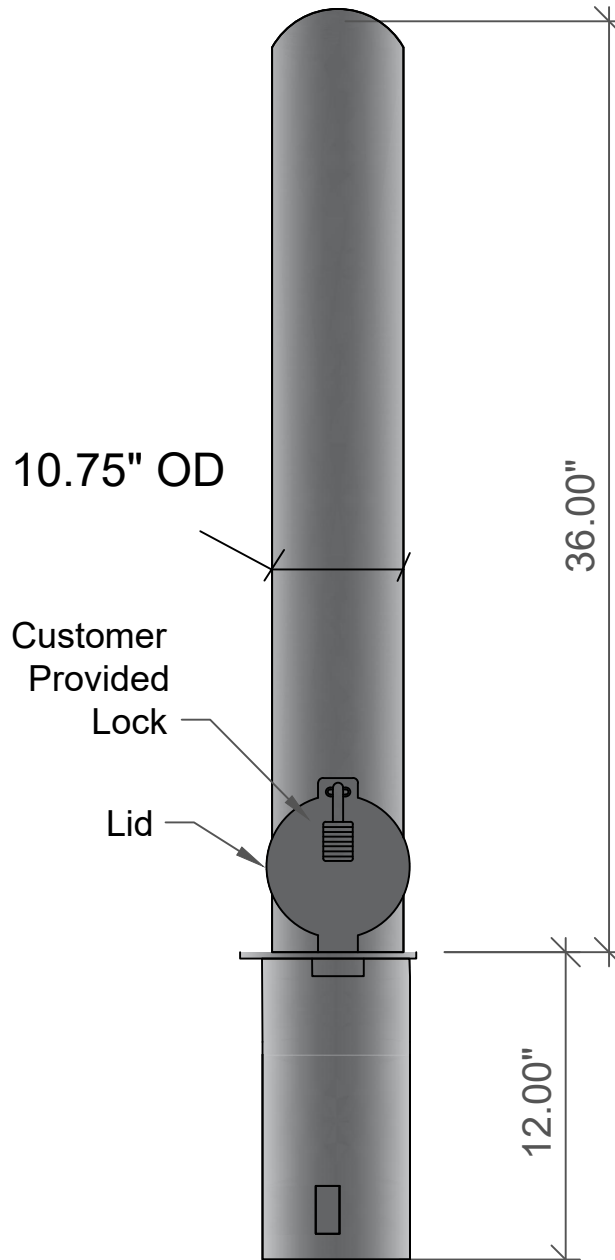
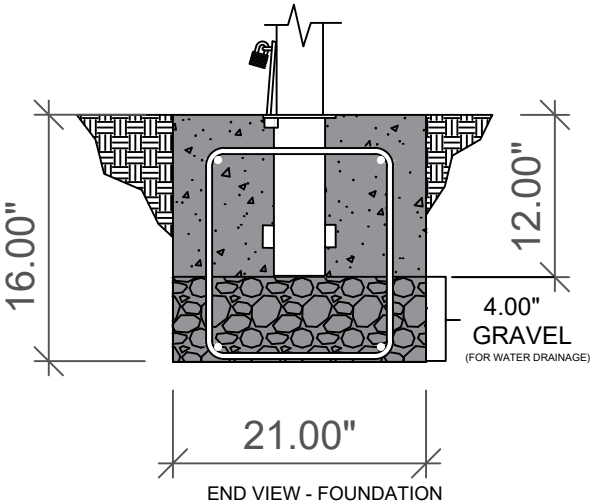


1-800-BOLLARDS

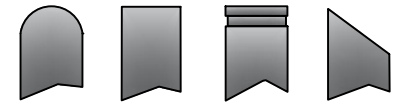
The Bollard Experts

- SELECT DESIRED MATERIAL:
(10" NOMINAL SIZE)
 - RPSS10000 SCH 10 STAINLESS STEEL
 - RPSS10040 SCH 40 STAINLESS STEEL
 - RPSS10080 SCH 80 STAINLESS STEEL
 - RPCS10040 SCH 40 ASTM A-53 CARBON STEEL
 - RPCS10080 SCH 80 ASTM A-53 CARBON STEEL
- SELECT DESIRED STAINLESS STEEL BOLLARD FINISH:
 - POLISHED #4 FINISH
 - AS SPECIFIED _____
- SELECT DESIRED CARBON STEEL BOLLARD FINISH:
 - POWDER COAT RAL # _____
 - AS SPECIFIED _____
- SELECT DESIRED STAINLESS STEEL BOLLARD MATERIAL:
 - TYPE 304
 - TYPE 316
- SELECT DESIRED BOLLARD CAP STYLE:
 -  DOME (SHOWN)
 -  STANDARD FLAT
 -  REVEAL
 -  SLOPED



CORE DRILL MINIMUM DIAMETER

DOME (SHOWN) STANDARD FLAT REVEAL SLOPED



SERIES NUMBER:	YX-S060-XX	CAGE CODE:	6NGJB	REV:		DRAWING NUMBER:	6th Cutsheet Size A - R1
PRODUCT FAMILY:	FIXED BOLLARD	DRAWN BY:	AJA	DRAWING REV:			
PRODUCT CLASS:	STANDARD OR CUSTOMER DEFINED	CHECKED BY:		SHEET:	1 OF 1		
PRODUCT LINE:	BOLLARD	APPROVED BY:		RELEASE DATE:			
PRODUCT SUB LINE:	PADLOCK REMOVABLE						
APPLICATION		1-800-BOLLARDS, Inc. 10 Hughes Suite A105 Irvine, CA 92618 PHONE: 1-800-BOLLARDS WEB: WWW.1800BOLLARDS.COM EMAIL: INFO@1800BOLLARDS.COM				TITLE BOLLARD, PADLOCK REMOVABLE	
NEXT ASSY:	USED ON:						

REVISIONS			
LTR	DESCRIPTION	DATE	APPVD
COMMENTS			
SPECIFICATIONS			
HEIGHT: 36"			
DIAMETER: 10.75"			
WALL THICKNESS: 0.280" SCHED 40			

NOTES:
 1. INSTALLATION TO BE COMPLETED IN ACCORDANCE WITH MANUFACTURER'S SPECIFICATIONS.
 2. NOT TO SCALE.
 3. THIS DRAWING IS INTENDED FOR USE BY ARCHITECTS, ENGINEERS, CONTRACTORS, CONSULTANTS AND DESIGN PROFESSIONALS FOR PLANNING PURPOSES ONLY. THIS DRAWING AND ALL INFORMATION CONTAINED HEREIN WAS CURRENT AT THE TIME OF DEVELOPMENT BUT MUST BE REVIEWED AND APPROVED BY THE PRODUCT MANUFACTURER TO BE CONSIDERED ACCURATE.