

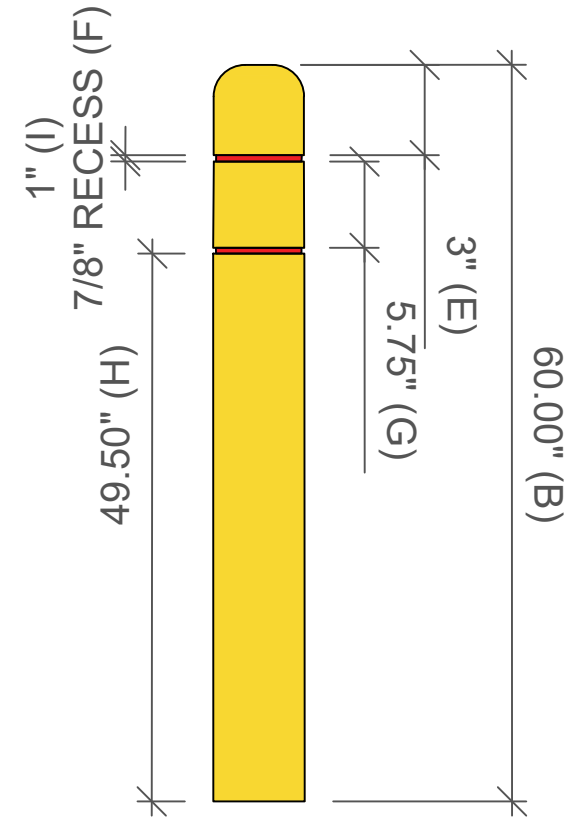
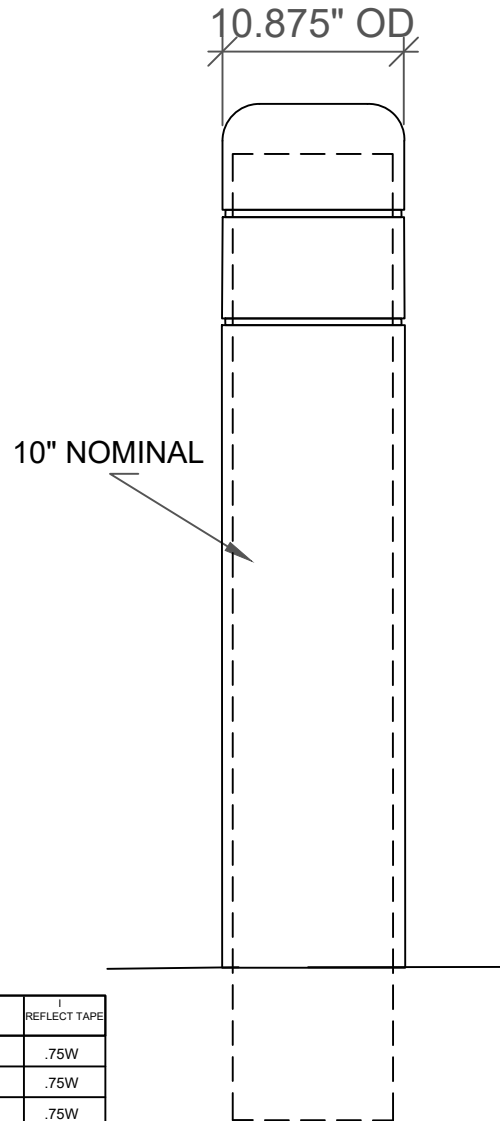
1-800-BOLLARDS

The Bollard Experts

- 10" BOLLARD COVER
(10" NOMINAL BOLLARD SIZE)
- PC1060 PLASTIC COVER
- COVER HEIGHT SELECTION
FROM:
 - 10.875" X 60"
- COVER COLOR _____
- REFLECTIVE STRIPE COLOR _____

MATERIAL:
MARLEX HHM 5502 BN HIGH DENSITY POLETHYLENE
MICROTHENE MP635662 LINEAR LOW DENSITY POLYETHYLENE
REFLECTIVE STRIPES: 3M SCOTCHLITE REFLECTIVE SHEETING
INSTALLATION STRIPS: 2 FOAM STRIPS

- INSTALLATION:
1. CRISSCROSS THE TWO FOAM STRIPS OVER THE TOP OF BOLLARD
2. SLIDE THE COVER OVER THE FOAM STRIPS AND BOLLARD



REVISIONS			
LTR	DESCRIPTION	DATE	APPVD
COMMENTS			
SPECIFICATIONS			
HEIGHT: 60"			
DIAMETER: 10.875"			
WALL THICKNESS: 0.22"			

	A	B	C	D	E	F	G	H	I
	ID WIDTH/DIA	HEIGHT	THICKNESS	OD WIDTH/DIA		RECESS			REFLECT TAPE
4.5" X 52"	4.72"	52"	.1406"	5"	2.875"	.875"	5.875"	41.50"	.75W
4.5" X 64"	4.72"	64"	.1406"	5"	2.875"	.875"	5.875"	53.50"	.75W
7" X 52"	7"	52"	.1719"	7.34"	2.875"	.875"	5.875"	41.50"	.75W
7" X 60"	7"	60"	.1719"	7.34"	2.875"	.875"	5.875"	49.50"	.75W
7" X 72"	7"	72"	.1719"	7.34"	2.875"	.875"	5.875"	61.50"	.75W
8.875" X 72"	8.8125"	72"	.19"	9.1857"	3.875"	.875"	5.75"	60.62"	.75W
10.875" X 60"	10.875	60"	.22"	11.3125	3"	.875"	5.75"	49.50"	1.0W
12.75" X 60"	13"	60"	.2"	13.4"	3"	.875"	5.75"	49.50"	1.0W

NOTES:
1. INSTALLATION TO BE COMPLETED IN ACCORDANCE WITH MANUFACTURER'S SPECIFICATIONS.
2. DO NOT SCALE DRAWING.
3. THIS DRAWING IS INTENDED FOR USE BY ARCHITECTS, ENGINEERS, CONTRACTORS, CONSULTANTS AND DESIGN PROFESSIONALS FOR PLANNING PURPOSES ONLY. THIS DRAWING
4. ALL INFORMATION CONTAINED HEREIN WAS CURRENT AT THE TIME OF DEVELOPMENT BUT MUST BE REVIEWED AND APPROVED BY THE PRODUCT MANUFACTURER TO BE
CONSIDERED ACCURATE.

APPLICATION	
NEXT ASSY	USED ON

SERIES NUMBER: XX-S060-XX	CAGE CODE: 6NGJB	REV: 	DRAWING NUMBER: 6th Cutsheet Size A - R1
PRODUCT FAMILY: FIXED BOLLARD	DRAWN BY: AJA	DRAWING REV: 	
PRODUCT CLASS: STANDARD OR CUSTOMER DEFINED	CHECKED BY: 	SHEET: 1 OF 1	
PRODUCT LINE: BOLLARD	APPROVED BY: 	RELEASE DATE: 	
PRODUCT SUB LINE: COVER	TITLE: BOLLARD, COVER		
1-800-BOLLARDS, Inc. 10 Hughes Suite A105 Irvine, CA 92618 PHONE: 1-800-BOLLARDS WEB: WWW.1800BOLLARDS.COM EMAIL: INFO@1800BOLLARDS.COM			

