
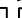




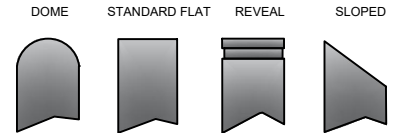
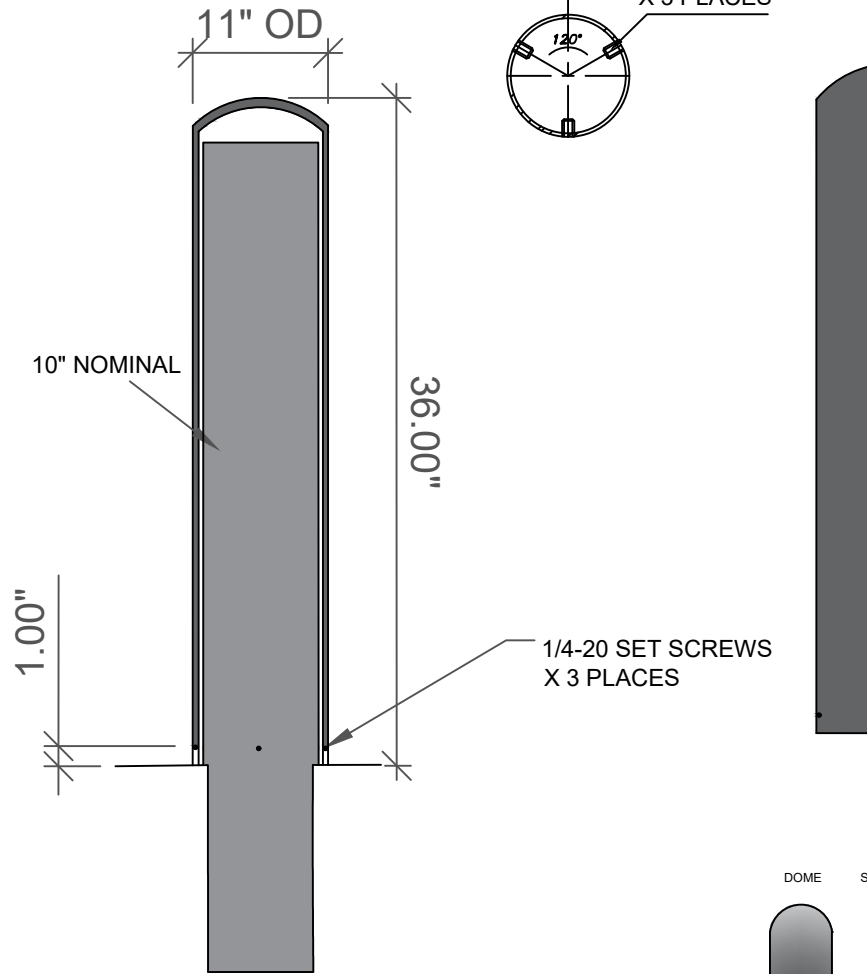
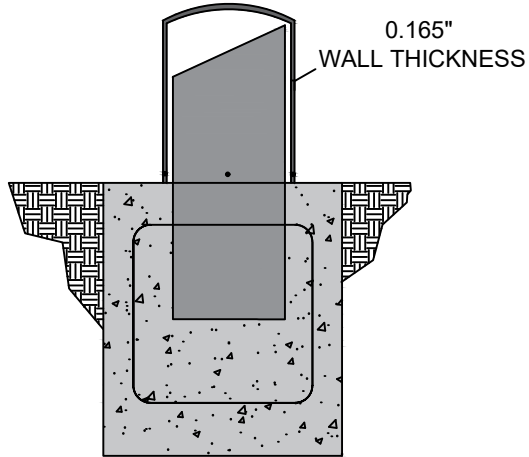
1-800-BOLLARDS

The Bollard Experts

- 11" BOLLARD COVER (10" NOMINAL BOLLARD SIZE)
- CSS10010 SCHED 10 STAINLESS STEEL COVER
- STAINLESS STEEL BOLLARD COVER FINISH
 - POLISHED #4
- SELECT DESIRED STAINLESS STEEL BOLLARD MATERIAL:
 - TYPE 304
 - TYPE 316
- SELECT DESIRED BOLLARD CAP STYLE:
 -  DOME
 -  STANDARD FLAT
 -  REVEAL
 -  SLOPED
- COVER HEIGHT SELECTION FROM:
 - BASE OF BOLLARD
 - TOP OF BOLLARD _____ INCHES

| REVISIONS | | | |
|-----------|-------------|------|-------|
| LTR | DESCRIPTION | DATE | APPVD |
| | | | |
| | | | |
| COMMENTS | | | |
| | | | |
| | | | |
| | | | |
| | | | |
| | | | |
| | | | |

SPECIFICATIONS
HEIGHT: 36"
DIAMETER: 11.00"
WALL THICKNESS: 0.165"



NOTES:
1. INSTALLATION TO BE COMPLETED IN ACCORDANCE WITH MANUFACTURER'S SPECIFICATIONS.
2. DO NOT SCALE DRAWING.
3. THIS DRAWING IS INTENDED FOR USE BY ARCHITECTS, ENGINEERS, CONTRACTORS, CONSULTANTS AND DESIGN PROFESSIONALS FOR PLANNING PURPOSES ONLY. THIS DRAWING AND ANY INFORMATION CONTAINED HEREIN WAS CURRENT AT THE TIME OF DEVELOPMENT BUT MUST BE REVIEWED AND APPROVED BY THE PRODUCT MANUFACTURER TO BE CONSIDERED ACCURATE.

| APPLICATION | |
|-------------|---------|
| NEXT ASSY | USED ON |
| | |
| | |
| | |

| | | | |
|--|------------------------------|--------------------------------|---|
| SERIES NUMBER: XX-S060-XX | CAGE CODE: 6NGJB | REV: 6 | DRAWING NUMBER: 6in Cutsheet Size A - R1 |
| PRODUCT FAMILY: FIXED BOLLARD | DRAWN BY: AJA | CHECKED BY: AJA | DRAWING REV: 1 |
| PRODUCT CLASS: STANDARD OR CUSTOMER DEFINED | PRODUCT LINE: BOLLARD | PRODUCT SUB LINE: COVER | CHECKED BY: AJA |
| | | | SHEET: 1 OF 1 |
| | | | APPROVED BY: AJA |
| | | | RELEASE DATE: |

| | | |
|--|--|---------------------------------------|
| 1-800-BOLLARDS, Inc. 10 Hughes Suite A105 Irvine, CA 92618 PHONE: 1-800-BOLLARDS WEB: www.1800BOLLARDS.COM EMAIL: info@1800BOLLARDS.COM | | TITLE BOLLARD, COVER |
|--|--|---------------------------------------|