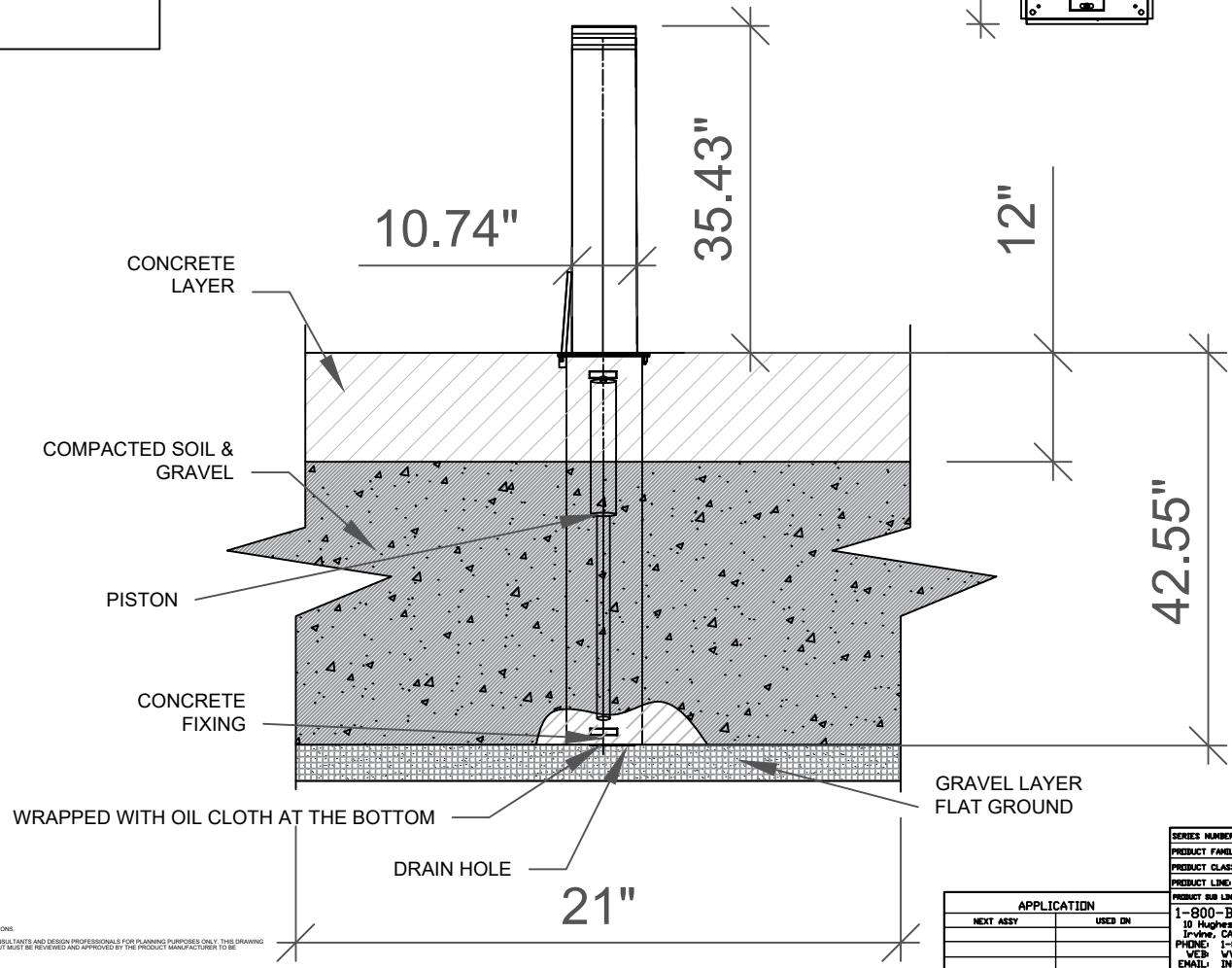
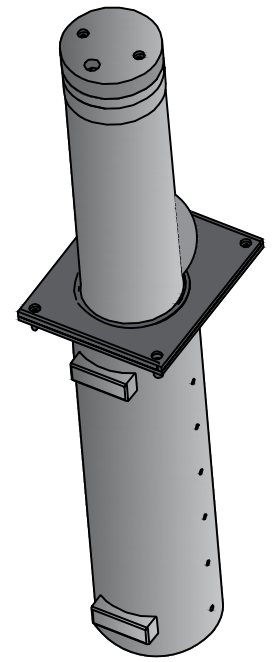
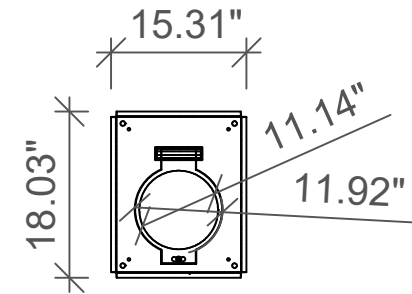


1-800-BOLLARDS

The Bollard Experts

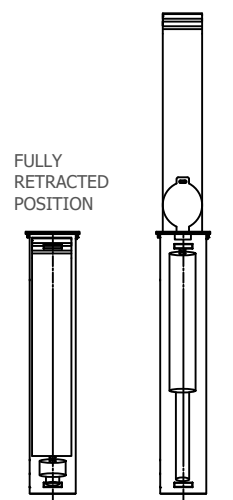
- 10" ASSISTED LIFT BOLLARD MATERIAL
- CARBON STEEL
 - MACS10000B (BLACK)
 - MACS10000Y (YELLOW)
- STAINLESS STEEL SELECTION
 - TYPE 304
 - TYPE 316
- STAINLESS STEEL BOLLARD FINISH
 - POLISHED #4



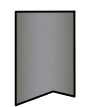
REVISIONS			
LTR	DESCRIPTION	DATE	APP'VD
COMMENTS			

SPECIFICATIONS
 HEIGHT: 35.43"
 DIAMETER: 10.74"
 WALL THICKNESS: 0.275"

FULLY EXTENDED POSITION



STANDARD FLAT



SERIES NUMBER:	XX-S060-XX	CAGE CODE:	6NGJB	REV:	6"	DRAWING NUMBER:	6" SEMI AUTO
PRODUCT FAMILY:	MANUAL RETRACTABLE	DRAWN BY:	AJA	CHECKED BY:		DRAWING REV:	
PRODUCT CLASS:	STANDARD OR CUSTOMER DEFINED	PRODUCT LINE:	BOLLARD	APPROVED BY:		SHEET:	1 OF 1
PRODUCT SUB LINE:	SEMI AUTO	TITLE:	BOLLARD, SEMI AUTO				
APPLICATION		1-800-BOLLARDS, Inc. 10 Hughes Suite A105 Irvine, CA 92618 PHONE: 1-800-BOLLARDS WEB: WWW.1800BOLLARDS.COM EMAIL: INFO@1800BOLLARDS.COM					
NEXT ASSY	USED ON						

NOTES:
 1. INSTALLATION TO BE COMPLETED IN ACCORDANCE WITH MANUFACTURER'S SPECIFICATIONS.
 2. DO NOT SCALE DRAWING.
 3. THIS DRAWING IS INTENDED FOR USE BY ARCHITECTS, ENGINEERS, CONTRACTORS, CONSULTANTS AND DESIGN PROFESSIONALS FOR PLANNING PURPOSES ONLY. THIS DRAWING
 4. ALL DIMENSIONS UNLESS OTHERWISE NOTED WERE CURRENT AT THE TIME OF DEVELOPMENT BUT MUST BE REVIEWED AND APPROVED BY THE PRODUCT MANUFACTURER TO BE
 CONSIDERED ACCURATE.