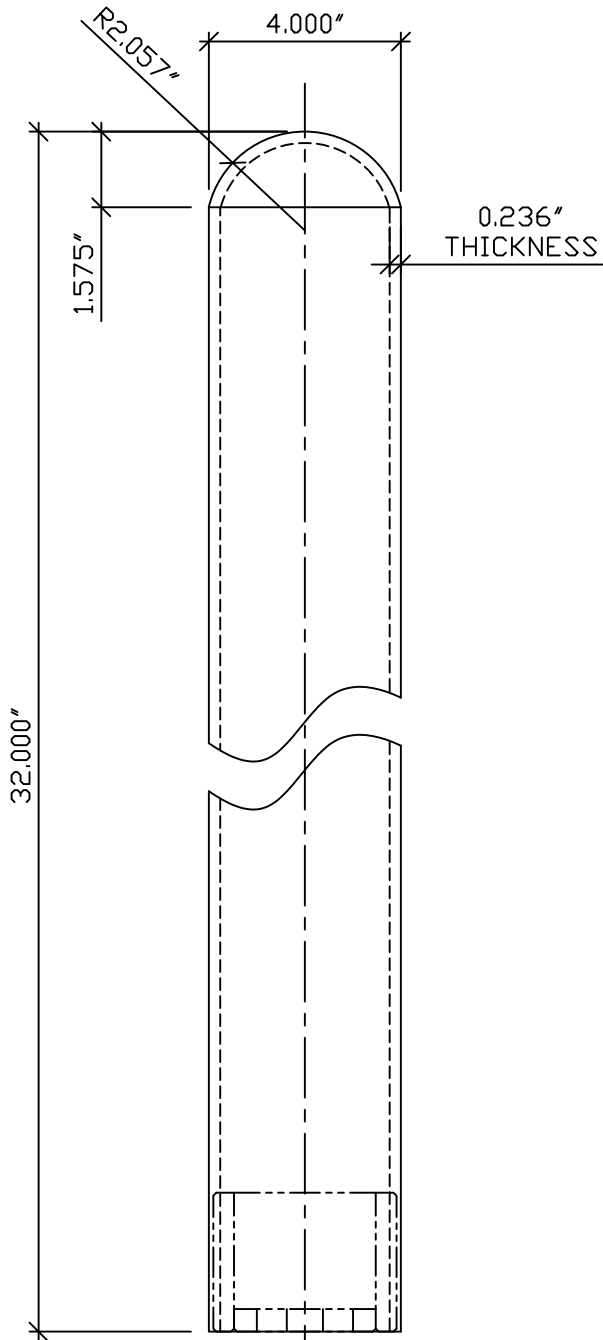
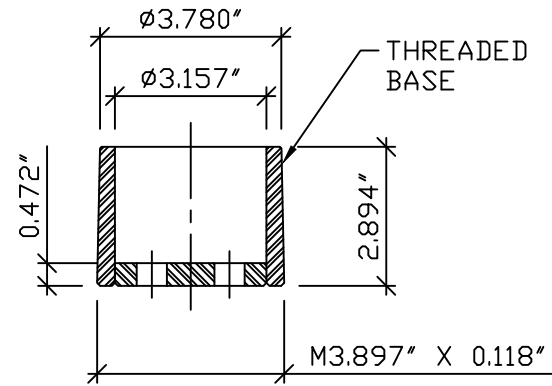


32" SS BOLLARD, 4" OD

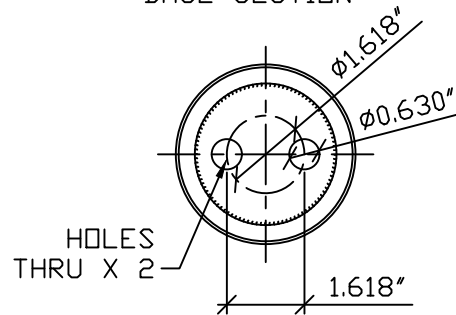
REVISIONS			
LTR	DESCRIPTION	DATE	APPVD



BOLLARD ELEVATION



BASE SECTION



BASE PLAN

SERIES NUMBER:	4" X 32"	CAGE CODE:	SIZE:	DRAWING NUMBER:
PRODUCT FAMILY:	TWIST DOWN BOLLARD	N/A		4 X 32
PRODUCT CLASS:	STANDARD OR CUSTOMER DEFINED	DRAWN BY:	MJW	DRAWING REV:
PRODUCT LINE:	BOLLARD	CHECKED BY:		SHEET: 1 OF 1
PRODUCT SUB LINE:	FIXED	APPROVED BY:		RELEASE DATE:
APPLICATION		TITLE:		
NEXT ASSY	USED ON	TWIST DOWN BOLLARD		
1-800-BOLLARDS, Inc. 24370 Northwestern Hwy, Suite 250 Southfield, MI 48075				
PHONE: 1-800-BOLLARDS				
WEB: WWW.1800BOLLARDS.COM				
EMAIL: INFO@1800BOLLARDS.COM				