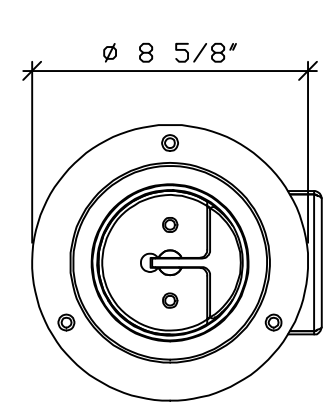
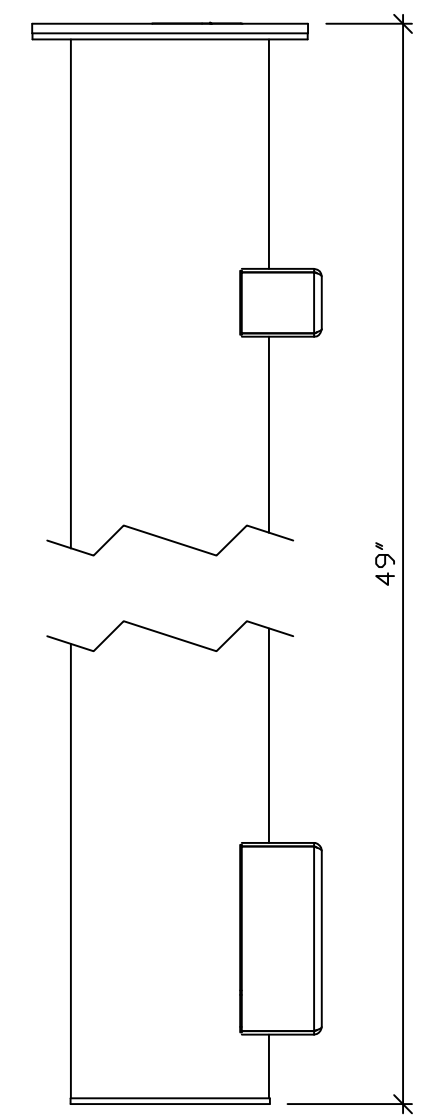


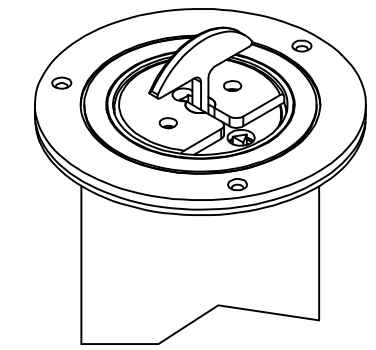
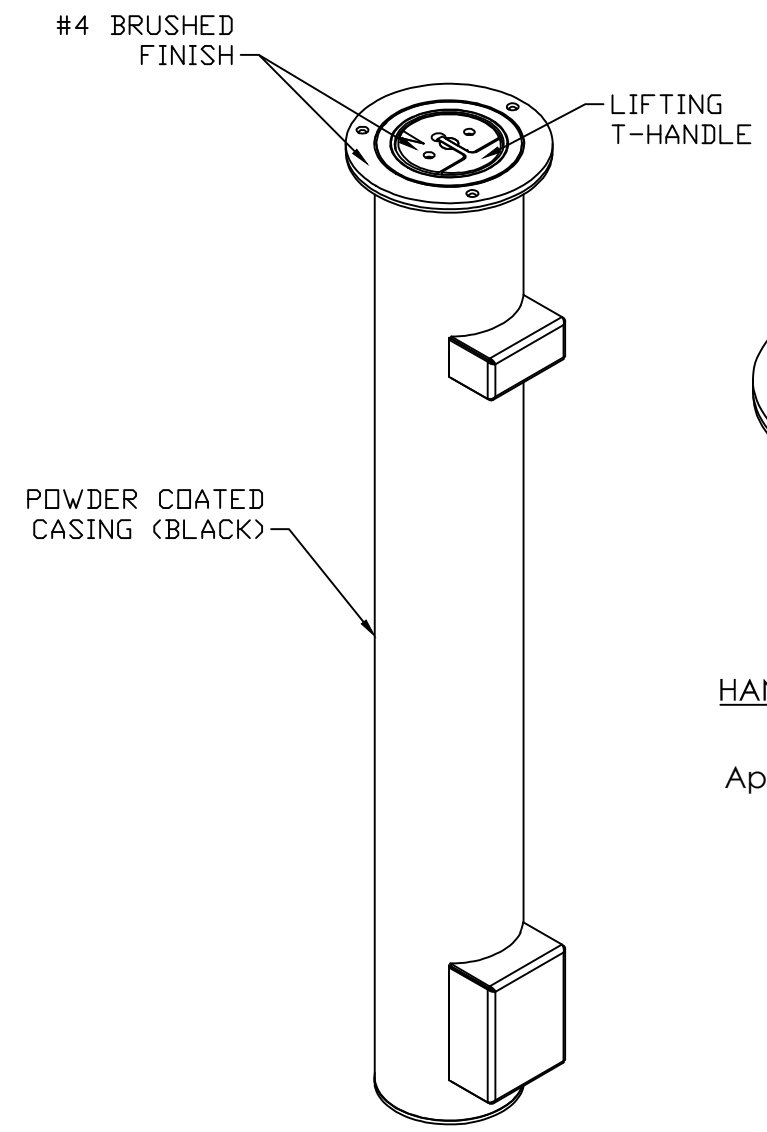
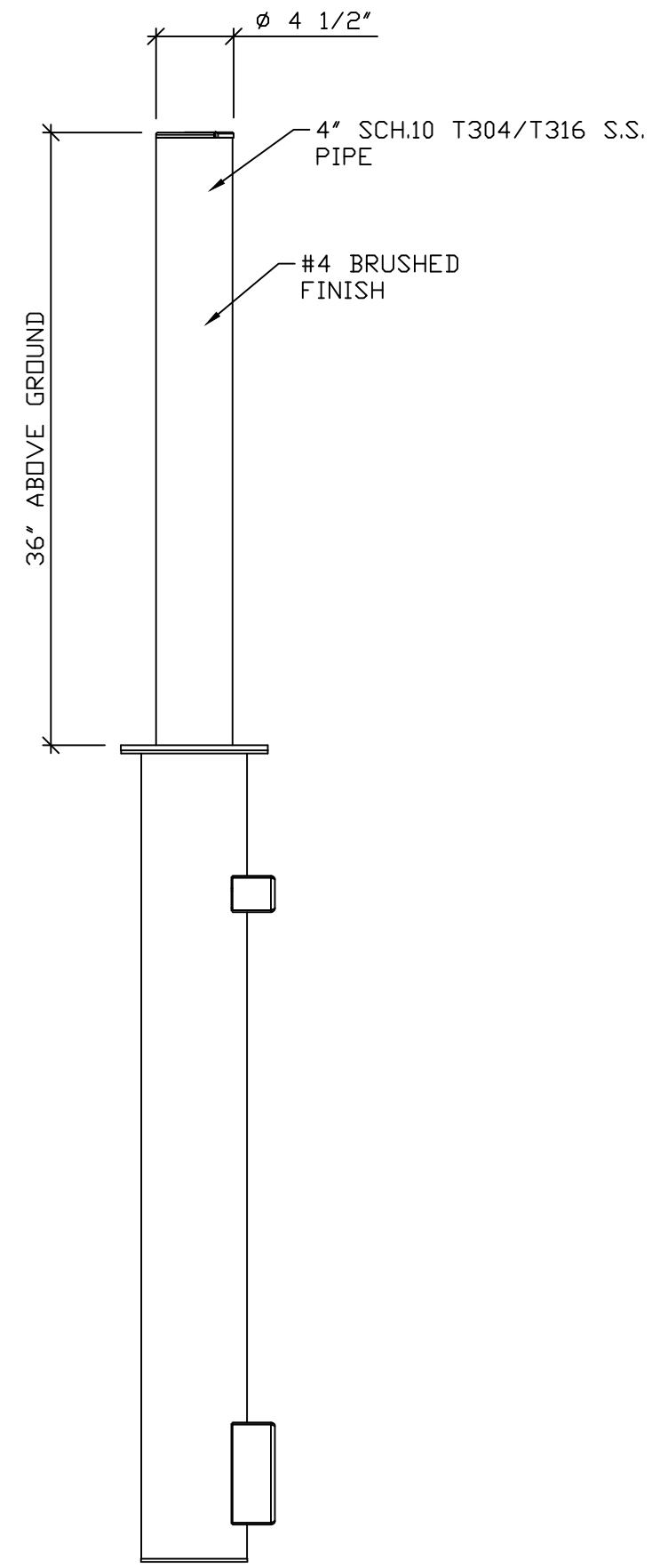
REVISIONS			
LTR	DESCRIPTION	DATE	APPVD



PLAN VIEW



ELEVATION VIEW



HANDLE IN LIFTING POSITION

Approx. Lifting Weight: 45 lbs.

APPLICATION	
NEXT ASSY	USED ON

SERIES NUMBER:		CAGE CODE:	SIZE:	DRAWING NUMBER:
PRODUCT FAMILY:	MANUAL RETRACTABLE			STP4000-TH
PRODUCT CLASS:	STANDARD OR CUSTOMER DEFINED	DRAWN BY:	MJW	DRAWING REV: -
PRODUCT LINE:	BOLLARD	CHECKED BY:		SHEET: 1 of 1
PRODUCT SUB LINE:	RETRACTABLE	APPROVED BY:		RELEASE DATE:
1-800-BOLLARDS, Inc. 24370 Northwestern Hwy, Suite 250 Southfield, MI 48075 PHONE: 1-800-BOLLARDS WEB: WWW.1800BOLLARDS.COM EMAIL: INFO@1800BOLLARDS.COM				TITLE:
				MANUAL RETRACTABLE BOLLARD