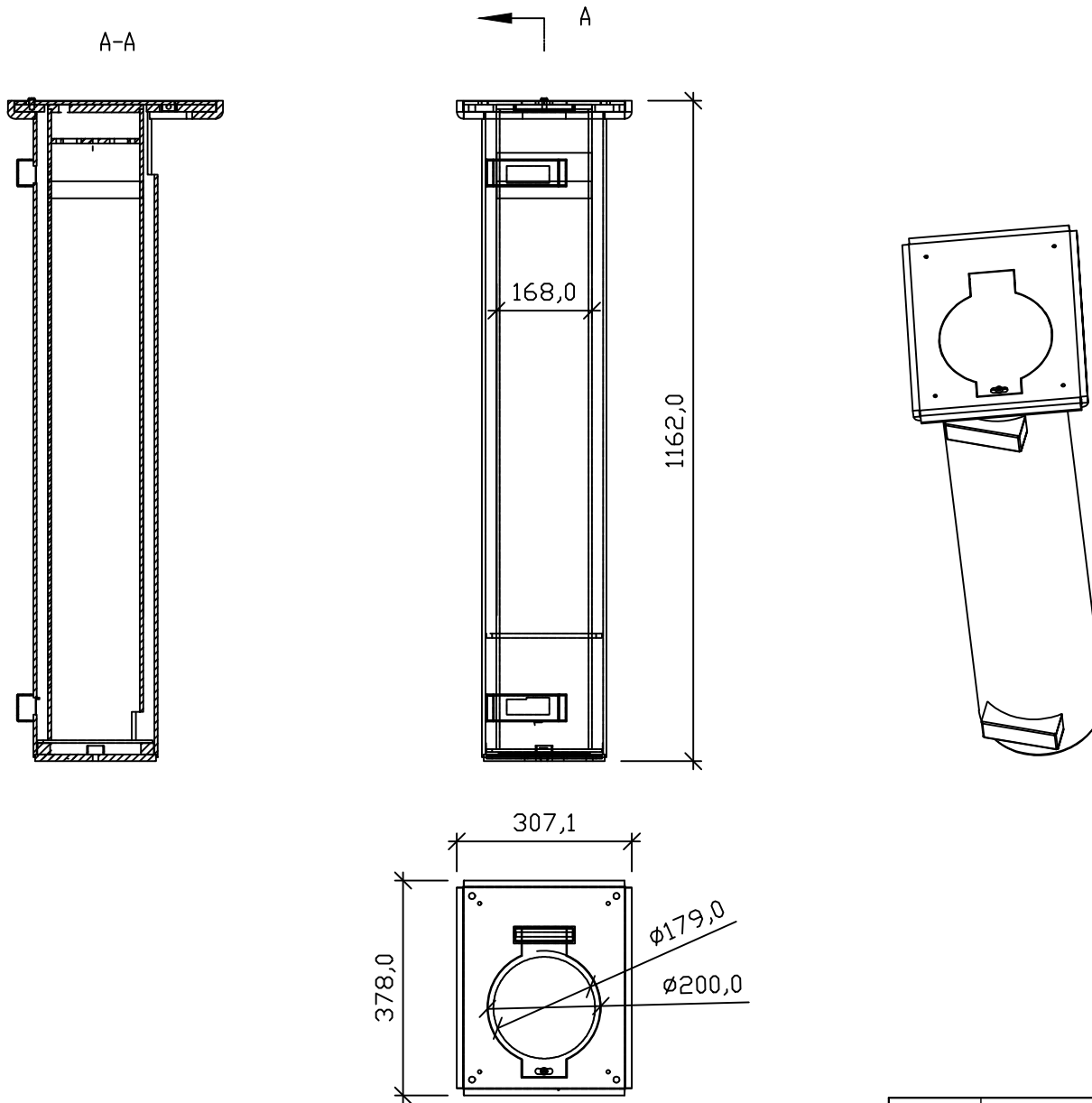


| REVISIONS | | | |
|-----------|-------------|------|-------|
| LTR | DESCRIPTION | DATE | APPVD |
| | | | |
| | | | |



| | | | | | |
|--|------------------------------|--------------|-------|--------------------|------------------|
| SERIES NUMBER: | | CAGE CODE: | 6NQJB | SIZE: | 6" LID SEMI AUTO |
| PRODUCT FAMILY: | FIXED BOLLARD | DRAWN BY: | MJW | DRAWING REV: | |
| PRODUCT CLASS: | STANDARD OR CUSTOMER DEFINED | CHECKED BY: | | SHEET: | 1 OF 1 |
| PRODUCT LINE: | BOLLARD | APPROVED BY: | | RELEASE DATE: | |
| PRODUCT SUB LINE: | SEMI AUTO | TITLE: | | BOLLARD, SEMI AUTO | |
| 1-800-BOLLARDS, Inc. 24370 Northwestern Hwy, Suite 250 Southfield, MI. 48075 PHONE: 1-800-BOLLARDS WEB: WWW.1800BOLLARDS.COM EMAIL: INFO@1800BOLLARDS.COM | | | | | |

| APPLICATION | |
|-------------|---------|
| NEXT ASSY | USED ON |
| | |
| | |