

REVISIONS			
LTR	DESCRIPTION	DATE	APPVD

**OPTIONS**

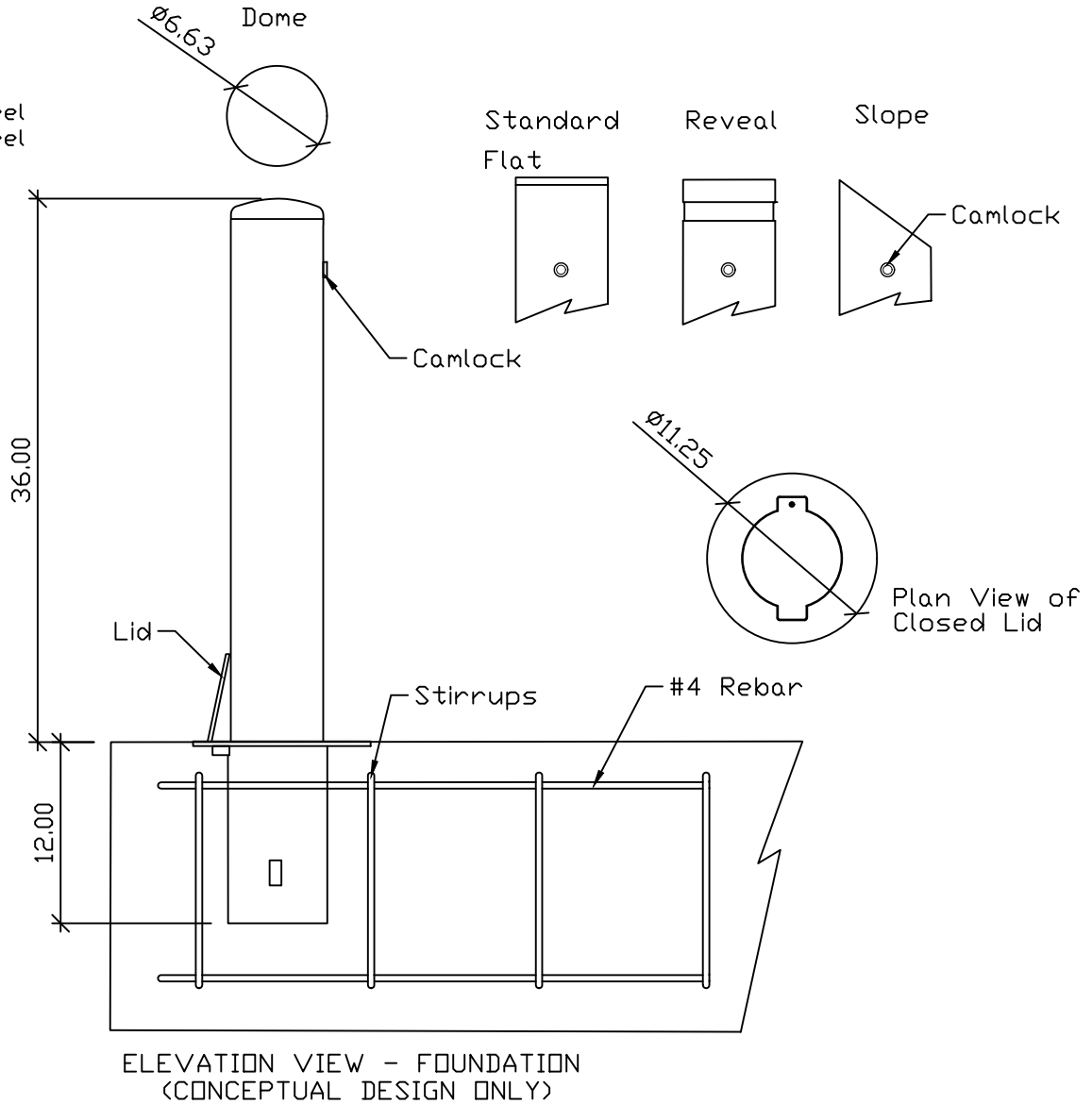
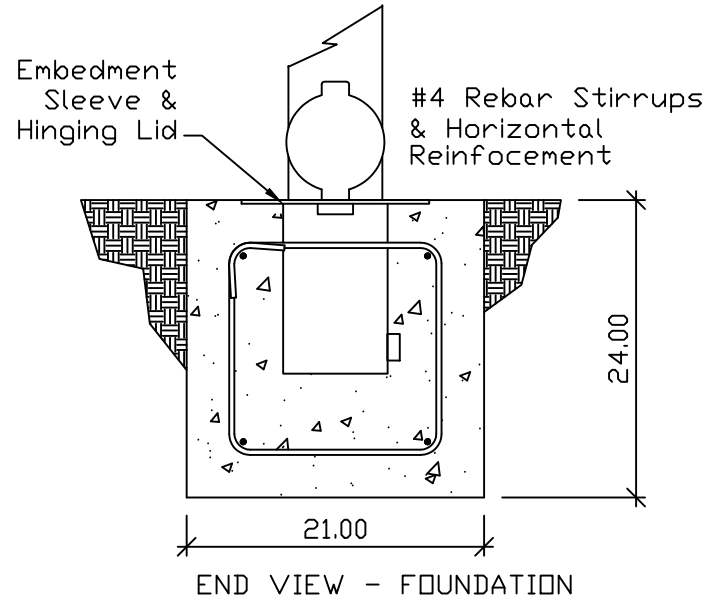
- Bollard Material (6" Nominal Size)
- RSS06000 Sch 10 Stainless Steel
  - RSS06040 Sch 40 Stainless Steel
  - RSS06080 Sch 80 Stainless Steel
  - RCS06040 Sch 40 ASTM A-53 Carbon Steel
  - RCS06080 Sch 80 ASTM A-53 Carbon Steel

- Stainless Steel Bollard Finish
- Polished #4 Finish
  - As Specified \_\_\_\_\_

- Carbon Steel Bollard Finish
- Powdercoat RAL # \_\_\_\_\_
  - As Specified \_\_\_\_\_

- Stainless Steel Bollard Material
- Type 304
  - Type 316

- Bollard Cap Style
- Dome
  - Standard Flat
  - Reveal
  - Sloped



APPLICATION	
NEXT ASSY	USED ON

SERIES NUMBER: XX-S060-XX	CAGE CODE: 6NQJ8	SIZE: 6in CL CUTSHEET SIZE A FORM	DRAWING NUMBER:
PRODUCT FAMILY: FIXED BOLLARD	DRAWN BY: MJW	CHECKED BY:	SHEET: 1 OF 1
PRODUCT CLASS: STANDARD OR CUSTOMER DEFINED	PRODUCT LINE: BOLLARD	APPROVED BY:	RELEASE DATE:
PRODUCT SUB LINE: LOCKING	TITLE: BOLLARD, LOCKING		
1-800-BOLLARDS, Inc. 24370 Northwestern Hwy, Suite 250 Southfield, MI, 48075 PHONE: 1-800-BOLLARDS WEB: WWW.1800BOLLARDS.COM EMAIL: INFO@1800BOLLARDS.COM			