

REVISIONS			
LTR	DESCRIPTION	DATE	APPVD

OPTIONS

Bollard Material (3" Nominal Size)

- FSS06000 Sch 10 Stainless Steel
- FSS06040 Sch 40 Stainless Steel
- FSS06080 Sch 80 Stainless Steel
- FCS06040 Sch 40 ASTM A-53 Carbon Steel
- FCS06080 Sch 80 ASTM A-53 Carbon Steel

Stainless Steel Bollard Finish

- Polished #4 Finish
- As Specified _____

Carbon Steel Bollard Finish

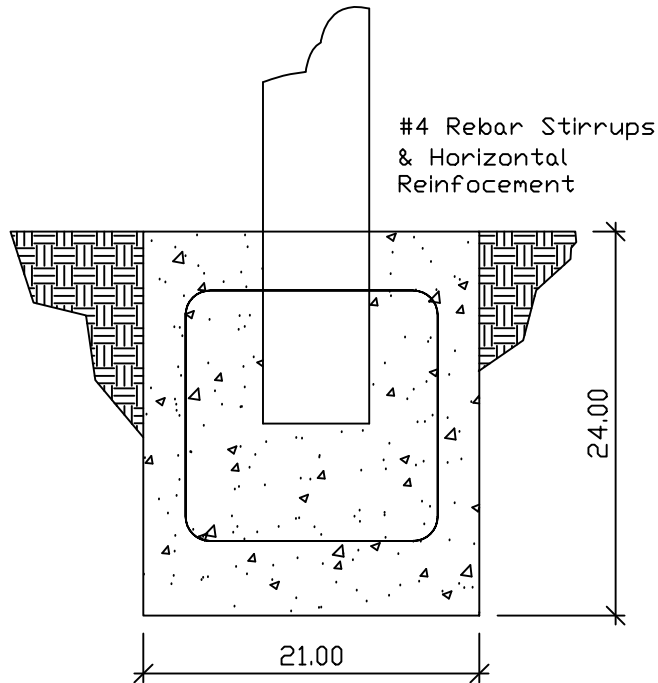
- Powdercoat RAL # _____
- As Specified _____

Stainless Steel Bollard Material

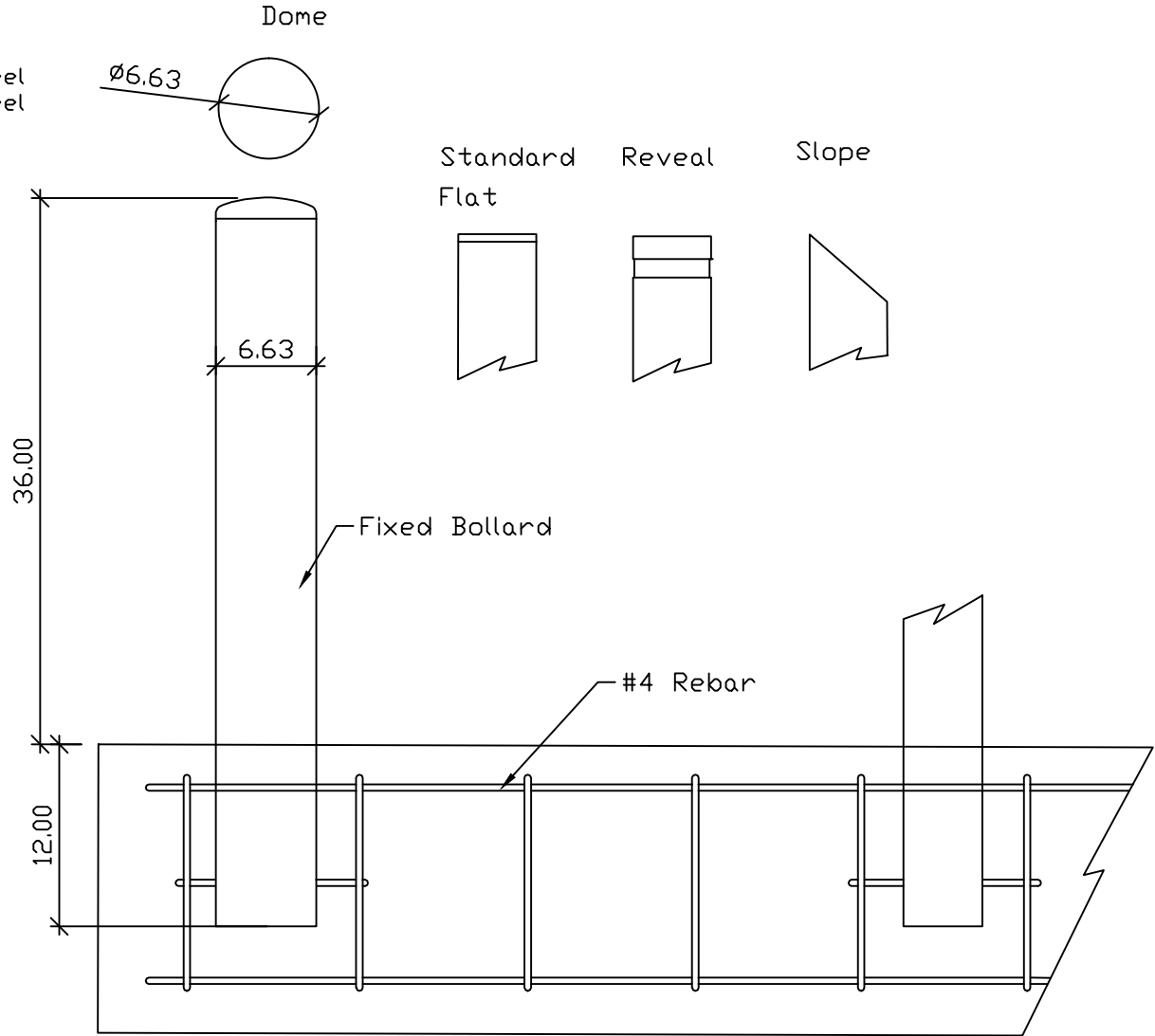
- Type 304
- Type 316

Bollard Cap Style

- Dome
- Standard Flat
- Reveal
- Sloped



END VIEW - FOUNDATION



ELEVATION VIEW - FOUNDATION
(CONCEPTUAL DESIGN ONLY)

APPLICATION	
NEXT ASSY	USED ON

SERIES NUMBER: XX-S060-XX	CAGE CODE: 6NQJ8	SIZE: 6in	DRAWING NUMBER: 6in Cutsheet Size A - R1
PRODUCT FAMILY: FIXED BOLLARD	DRAWN BY: MJW	DRAWING REV:	
PRODUCT CLASS: STANDARD OR CUSTOMER DEFINED	CHECKED BY:	SHEET: 1 OF 1	
PRODUCT LINE: BOLLARD	APPROVED BY:	RELEASE DATE:	
PRODUCT SUB LINE: FIXED	TITLE: BOLLARD, FIXED		
1-800-BOLLARDS, Inc. 24370 Northwestern Hwy, Suite 250 Southfield, MI 48075 PHONE: 1-800-BOLLARDS WEB: WWW.1800BOLLARDS.COM EMAIL: INFO@1800BOLLARDS.COM			