

REVISIONS			
LTR	DESCRIPTION	DATE	APPVD

**OPTIONS**

Bollard Material (10" Nominal Size)

- BSS010000 Sch 10 Stainless Steel
- BSS010040 Sch 40 Stainless Steel
- BSS010080 Sch 80 Stainless Steel
- BCS010040 Sch 40 ASTM A-53 Carbon Steel
- BCS010080 Sch 80 ASTM A-53 Carbon Steel

Stainless Steel Bollard Finish

- Polished #4 Finish
- As Specified \_\_\_\_\_

Carbon Steel Bollard Finish

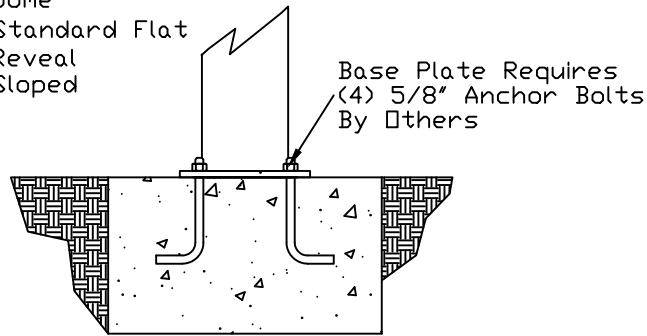
- Powdercoat RAL # \_\_\_\_\_
- As Specified \_\_\_\_\_

Stainless Steel Bollard Material

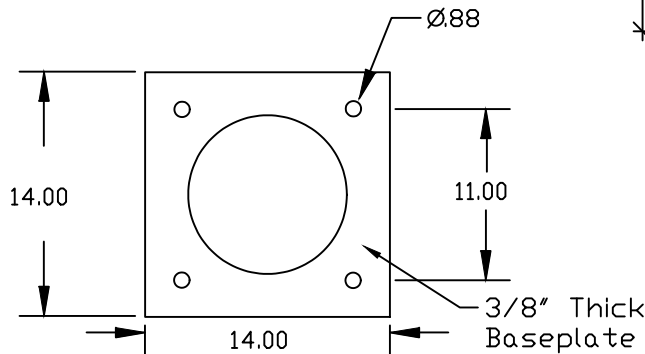
- Type 304
- Type 316

Bollard Cap Style

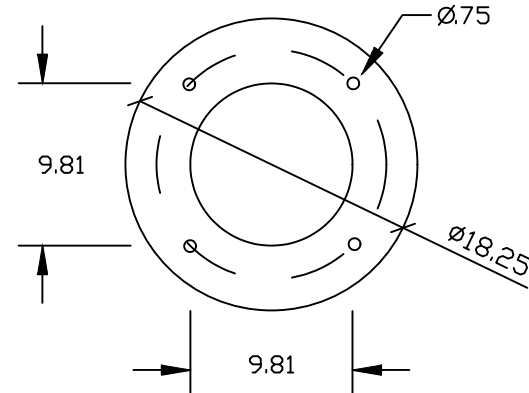
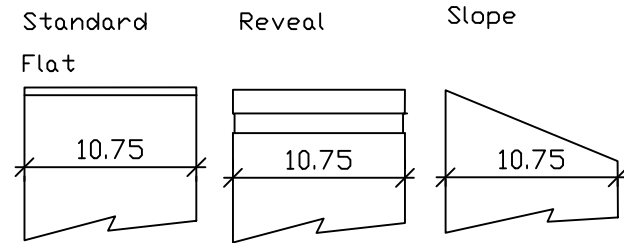
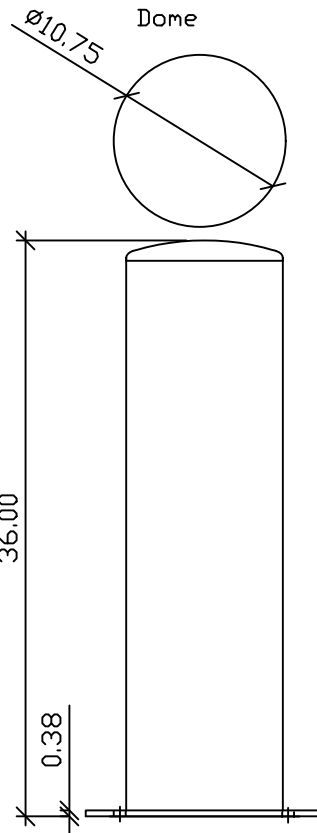
- Dome
- Standard Flat
- Reveal
- Sloped



END VIEW - FOUNDATION



PLAN VIEW - BASE PLATE  
(Used On Carbon Steel Bollard)



PLAN VIEW - BASE PLATE  
(Used On Stainless Steel Bollard)

APPLICATION	
NEXT ASSY	USED ON

SERIES NUMBER: XX-B0100-XX	CAGE CODE: 6NQJ8	SIZE: 10in Base Plate Bollard Size A - R02	DRAWING NUMBER:
PRODUCT FAMILY: FIXED BOLLARD	DRAWN BY: MJW	DRAWING REV:	
PRODUCT CLASS: STANDARD OR CUSTOMER DEFINED	CHECKED BY:	SHEET: 1 OF 1	
PRODUCT LINE: BOLLARD	APPROVED BY:	RELEASE DATE:	
PRODUCT SUB LINE: BASEPLATE	TITLE: BOLLARD, BASEPLATE		
1-800-BOLLARDS, Inc. 24370 Northwestern Hwy, Suite 250 Southfield, MI 48075 PHONE: 1-800-BOLLARDS WEB: WWW.1800BOLLARDS.COM EMAIL: INFO@1800BOLLARDS.COM			