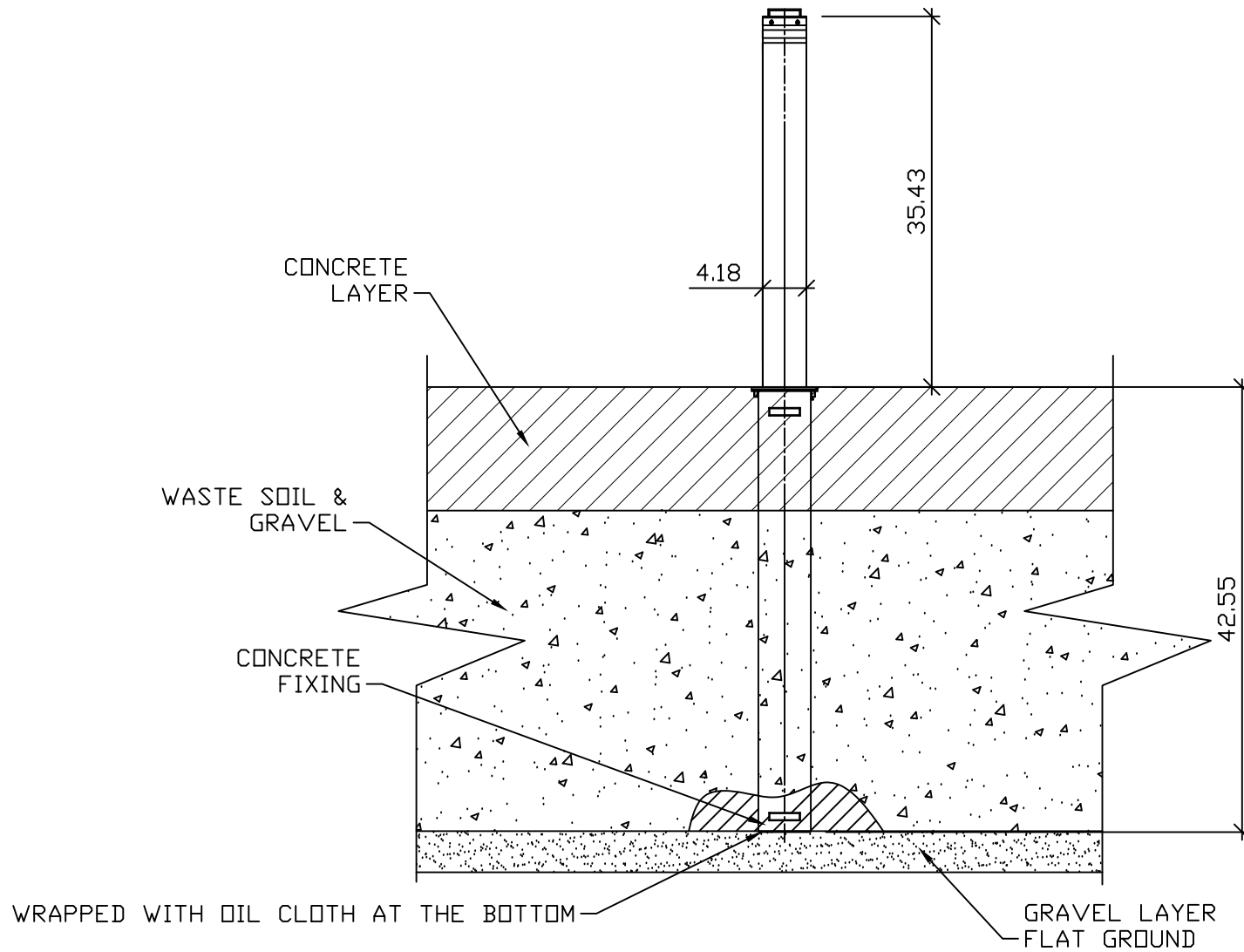


REVISIONS			
LTR	DESCRIPTION	DATE	APPVD



SERIES NUMBER:		CAGE CODE	SIZE	DRAWING NUMBER:
PRODUCT FAMILY:	MANUAL RETRACTABLE	6NQJB		CUSTOM1
PRODUCT CLASS:	STANDARD OR CUSTOMER DEFINED	DRAWN BY:	MJW	DRAWING REV:
PRODUCT LINE:	BOLLARD	CHECKED BY:		SHEET: 1 OF 1
PRODUCT SUB LINE:	FIXED	APPROVED BY:		RELEASE DATE:
APPLICATION		TITLE:		
NEXT ASSY	USED ON	MANUAL RETRACTABLE		
1-800-BOLLARDS, Inc. 24370 Northwestern Hwy, Suite 250 Southfield, MI 48075				
PHONE: 1-800-BOLLARDS WEB: WWW.1800BOLLARDS.COM EMAIL: INFO@1800BOLLARDS.COM				