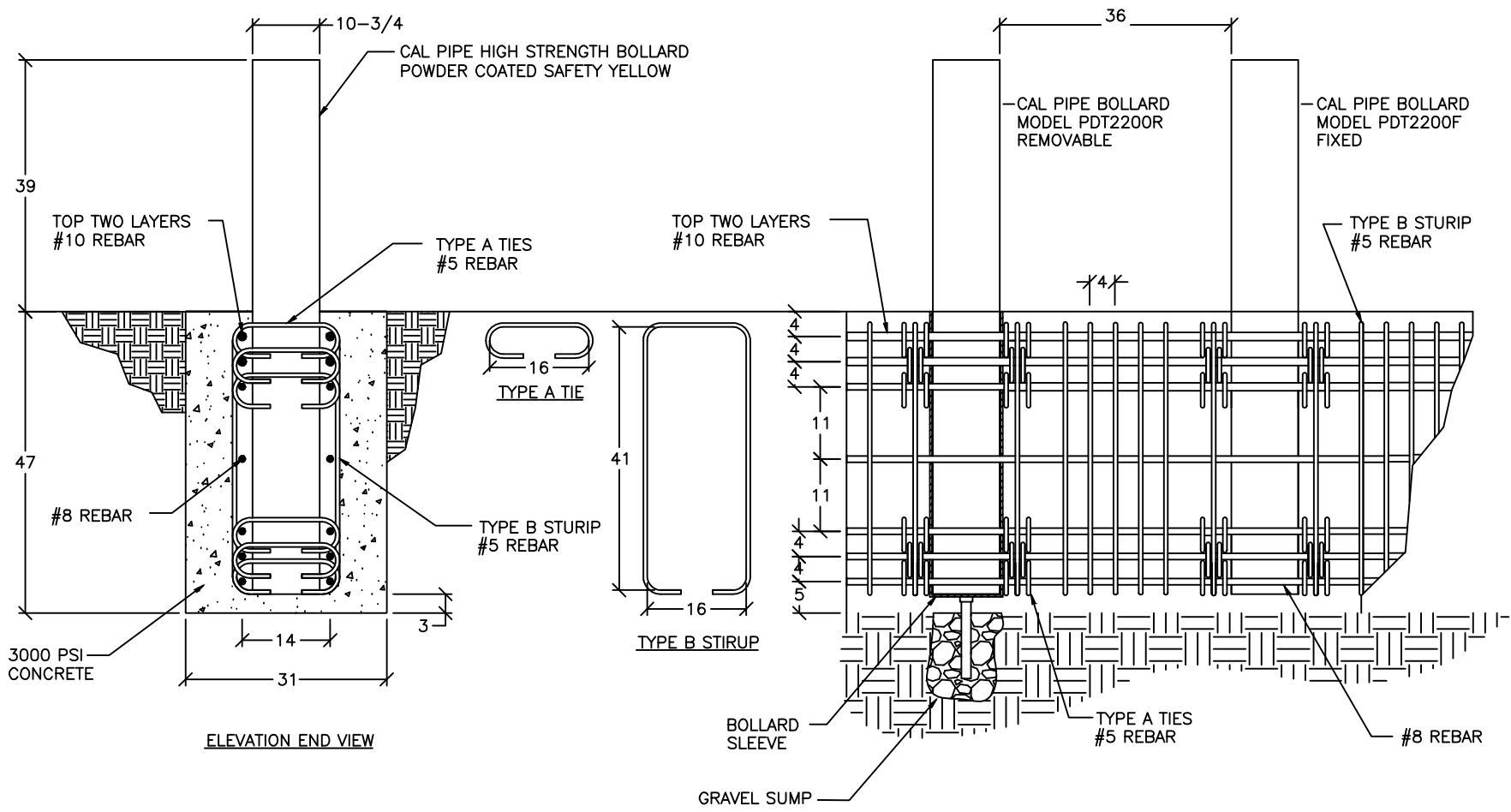


REVISIONS			
LTR	DESCRIPTION	DATE	APPVD



ELEVATION END VIEW

1. CONCRETE PER ASTM C-94, 3000 PSI (20 MPa) MINIMUM @ 28 DAYS.
2. REINFORCING STEEL TO BE ASTM A-615, DEFORMED BILLET
3. COMPACTED BACKFILL SHALL ATTAIN A DRY DENSITY EQUIVALENT TO 95 PERCENT OF THE MAXIMUM OBTAINED IN ASTM D-698. SELECT SOIL OR BACKFILL SHALL BE PLACED IN LAYERS NOT EXCEEDING 6" IN THICKNESS.
4. BOLLARD SHALL BE MANUFACTURED IN A FACILITY CERTIFIED BY UNDERWRITERS LABORATORY.

APPLICATION	
NEXT ASSY	USED ON

SERIES NUMBER:	PDT 2200R 2200F	CAGE CODE:	6NQJ8	SIZE:		DRAWING NUMBER:	PDT 2200R 2200F
PRODUCT FAMILY:	FIXED BOLLARD	DRAWN BY:	MJW	DRAWING REV:		CHECKED BY:	
PRODUCT CLASS:	STANDARD OR CUSTOMER DEFINED	APPROVED BY:		RELEASE DATE:		SHEET:	1 OF 1
PRODUCT LINE:	BOLLARD	TITLE:	BOLLARD, FIXED				
PRODUCT SUB LINE:	FIXED	1-800-BOLLARDS, Inc. 24370 Northwestern Hwy, Suite 250 Southfield, MI 48075 PHONE: 1-800-BOLLARDS WEB: WWW.1800BOLLARDS.COM EMAIL: INF@1800BOLLARDS.COM					