

REVISIONS			
LTR	DESCRIPTION	DATE	APPVD

OPTIONS

Bollard Material (5' Nominal Size)

- RSS08000 Sch 10 Stainless Steel
- RSS08040 Sch 40 Stainless Steel
- RSS08080 Sch 80 Stainless Steel
- RCS08040 Sch 40 ASTM A-53 Carbon Steel
- RCS08080 Sch 80 ASTM A-53 Carbon Steel

Stainless Steel Bollard Finish

- Polished #4 Finish
- As Specified _____

Carbon Steel Bollard Finish

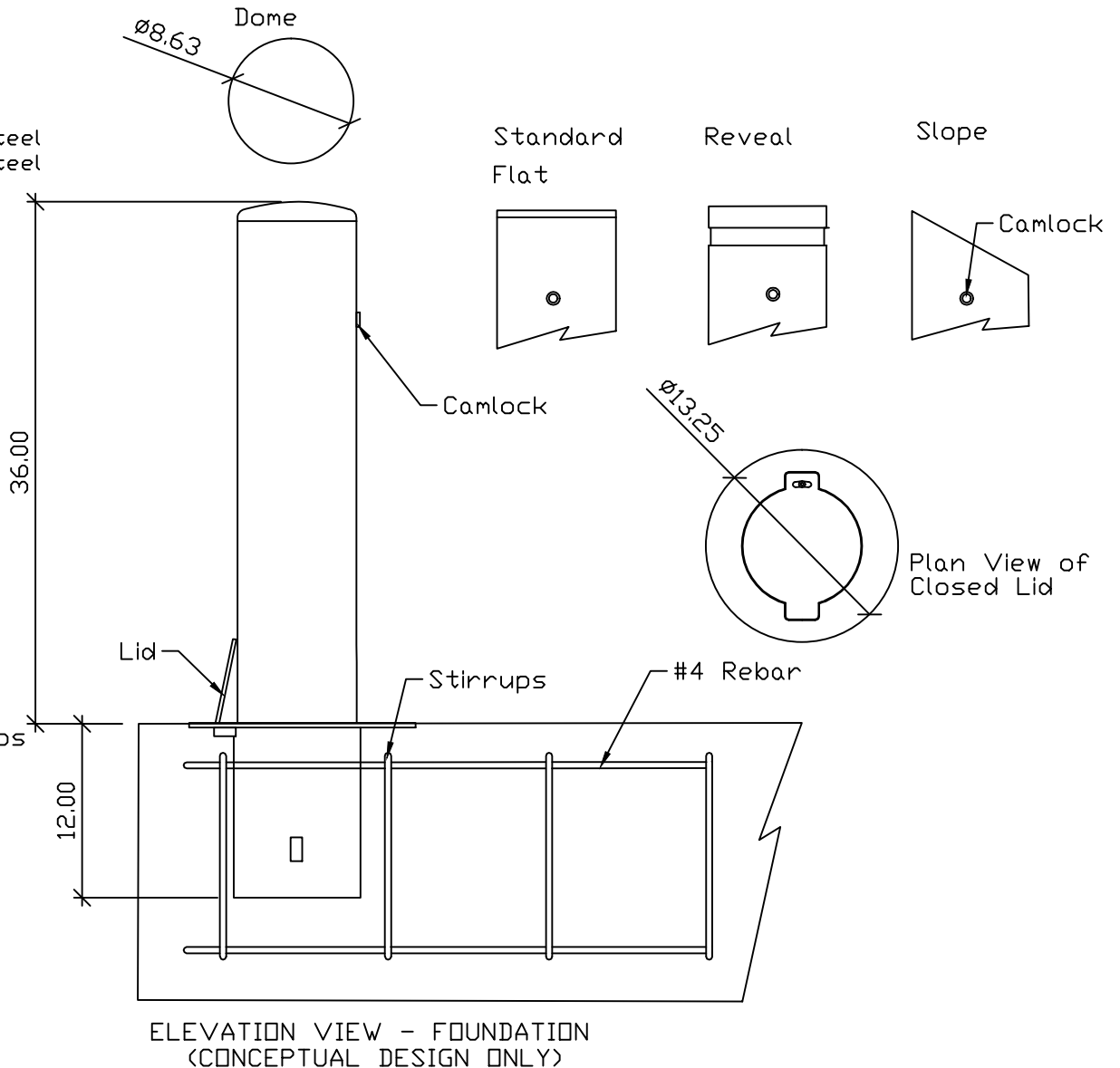
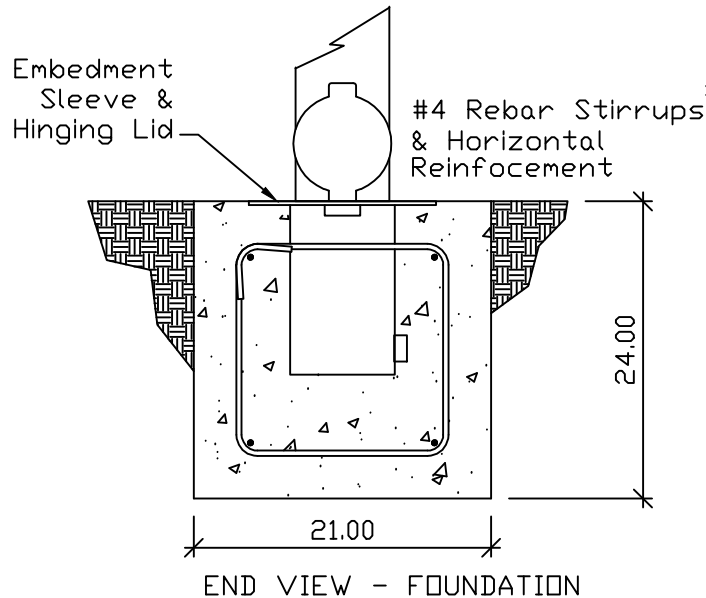
- Powdercoat RAL # _____
- As Specified _____

Stainless Steel Bollard Material

- Type 304
- Type 316

Bollard Cap Style

- Dome
- Standard Flat
- Reveal
- Sloped



APPLICATION	
NEXT ASSY	USED ON

SERIES NUMBER: XX-S080-XX	CAGE CODE: 6NQJ8	SIZE: 6in CL CUTSHEET SIZE A FORM	DRAWING NUMBER: 6in CL CUTSHEET SIZE A FORM
PRODUCT FAMILY: FIXED BOLLARD	DRAWN BY: MJW	CHECKED BY:	DRAWING REV:
PRODUCT CLASS: STANDARD OR CUSTOMER DEFINED	PRODUCT LINE: BOLLARD	PRODUCT SUB LINE: LOCKING	SHEET: 1 OF 1
1-800-BOLLARDS, Inc. 24370 Northwestern Hwy, Suite 250 Southfield, MI 48075		APPROVED BY: _____ RELEASE DATE: _____	
PHONE: 1-800-BOLLARDS WEB: WWW.1800BOLLARDS.COM EMAIL: INFO@1800BOLLARDS.COM		TITLE: BOLLARD, LOCKING	