

OPTIONS

Bollard Material (5" Nominal Size)

- RSS05000 Sch 10 Stainless Steel
- RSS05040 Sch 40 Stainless Steel
- RSS05080 Sch 80 Stainless Steel
- RCS05040 Sch 40 ASTM A-53 Carbon Steel
- RCS05080 Sch 80 ASTM A-53 Carbon Steel

Stainless Steel Bollard Finish

- Polished #4 Finish
- As Specified _____

Carbon Steel Bollard Finish

- Powdercoat RAL # _____
- As Specified _____

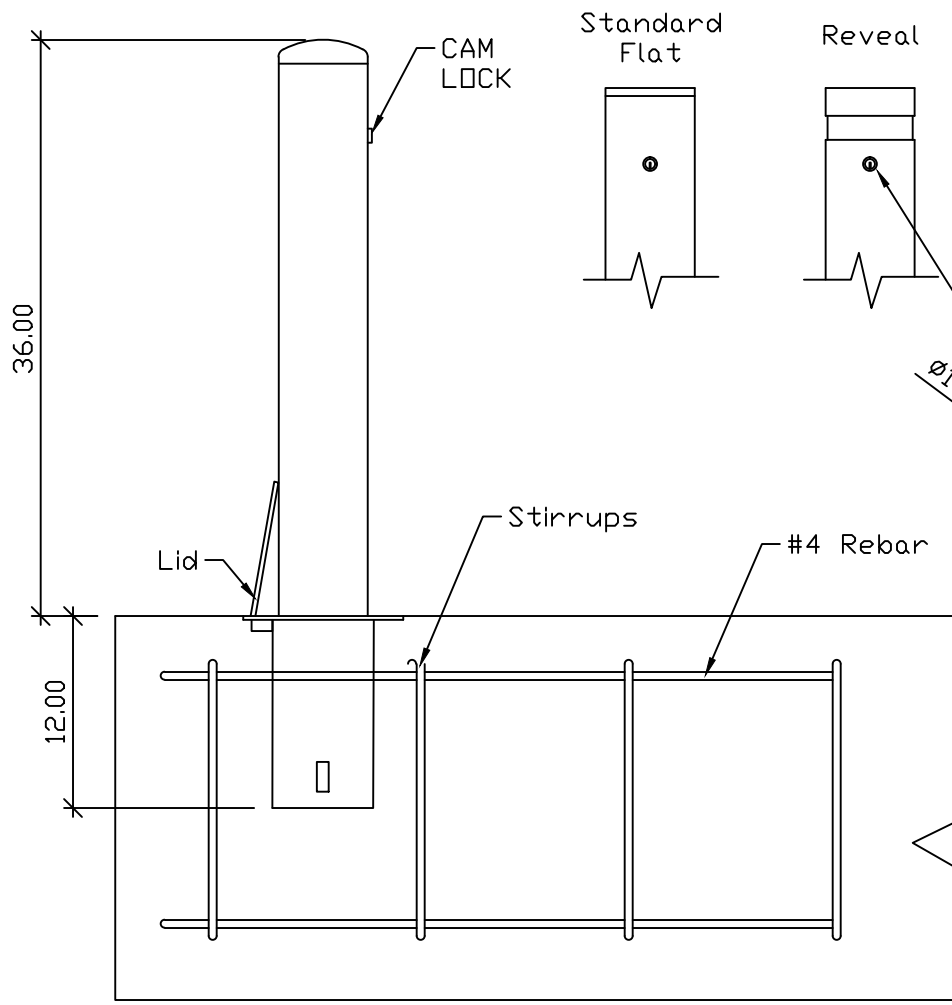
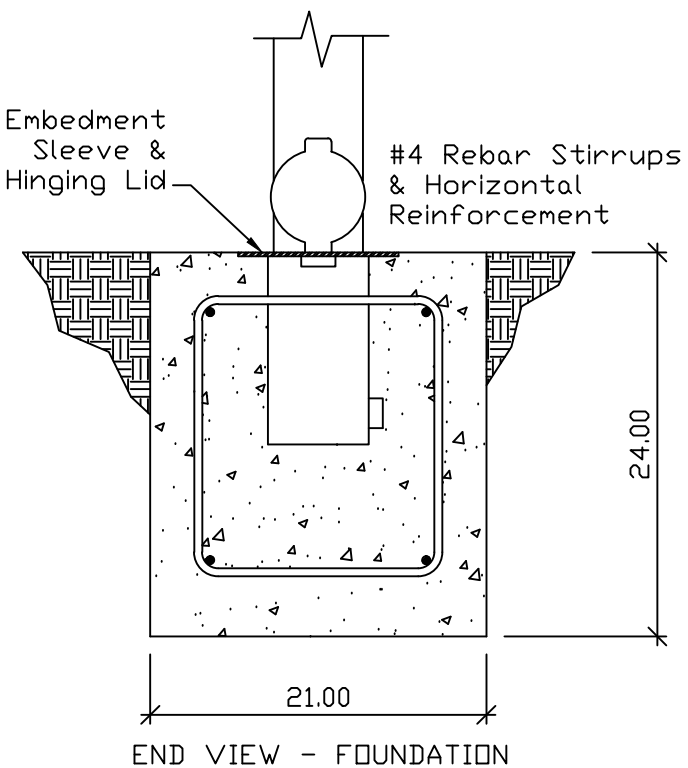
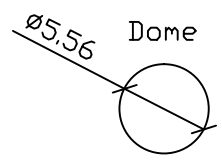
Stainless Steel Bollard Material

- Type 304
- Type 316

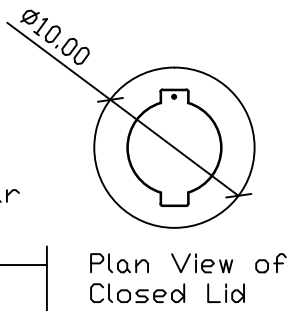
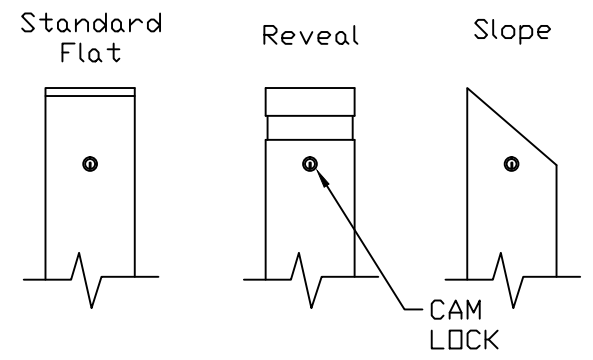
Bollard Cap Style

- Dome
- Standard Flat
- Reveal
- Sloped

REVISIONS			
LTR	DESCRIPTION	DATE	APPVD



ELEVATION VIEW - FOUNDATION
(CONCEPTUAL DESIGN ONLY)



SERIES NUMBER: XX-S050-XX	CAGE CODE: 6NQJB	SIZE	DRAWING NUMBER: 5th CL CUTSHEET SIZE A FORM
PRODUCT FAMILY: FIXED BOLLARD	DRAWN BY: MJW	CHECKED BY:	DRAWING REV:
PRODUCT CLASS: STANDARD OR CUSTOMER DEFINED	APPROVED BY:	RELEASE DATE:	SHEET: 1 OF 1
PRODUCT LINE: BOLLARD	TITLE: BOLLARD, LOCKING		
PRODUCT SUB LINE: LOCKING	1-800-BOLLARDS, Inc. 24370 Northwestern Hwy, Suite 250 Southfield, MI 48075 PHONE: 1-800-BOLLARDS WEB: WWW.1800BOLLARDS.COM EMAIL: INFO@1800BOLLARDS.COM		

APPLICATION	
NEXT ASSY	USED ON