

REVISIONS			
LTR	DESCRIPTION	DATE	APPVD

**OPTIONS**

Bollard Material (3" Nominal Size)

- PSS04000 Sch 10 Stainless Steel
- PSS04040 Sch 40 Stainless Steel
- PSS04080 Sch 80 Stainless Steel
- PCS04040 Sch 40 ASTM A-53 Carbon Steel
- PCS04080 Sch 80 ASTM A-53 Carbon Steel

Stainless Steel Bollard Finish

- Polished #4 Finish
- As Specified \_\_\_\_\_

Carbon Steel Bollard Finish

- Powdercoat RAL # \_\_\_\_\_
- As Specified \_\_\_\_\_

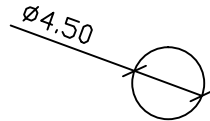
Stainless Steel Bollard Material

- Type 304
- Type 316

Bollard Cap Style

- Dome
- Standard Flat
- Reveal
- Sloped

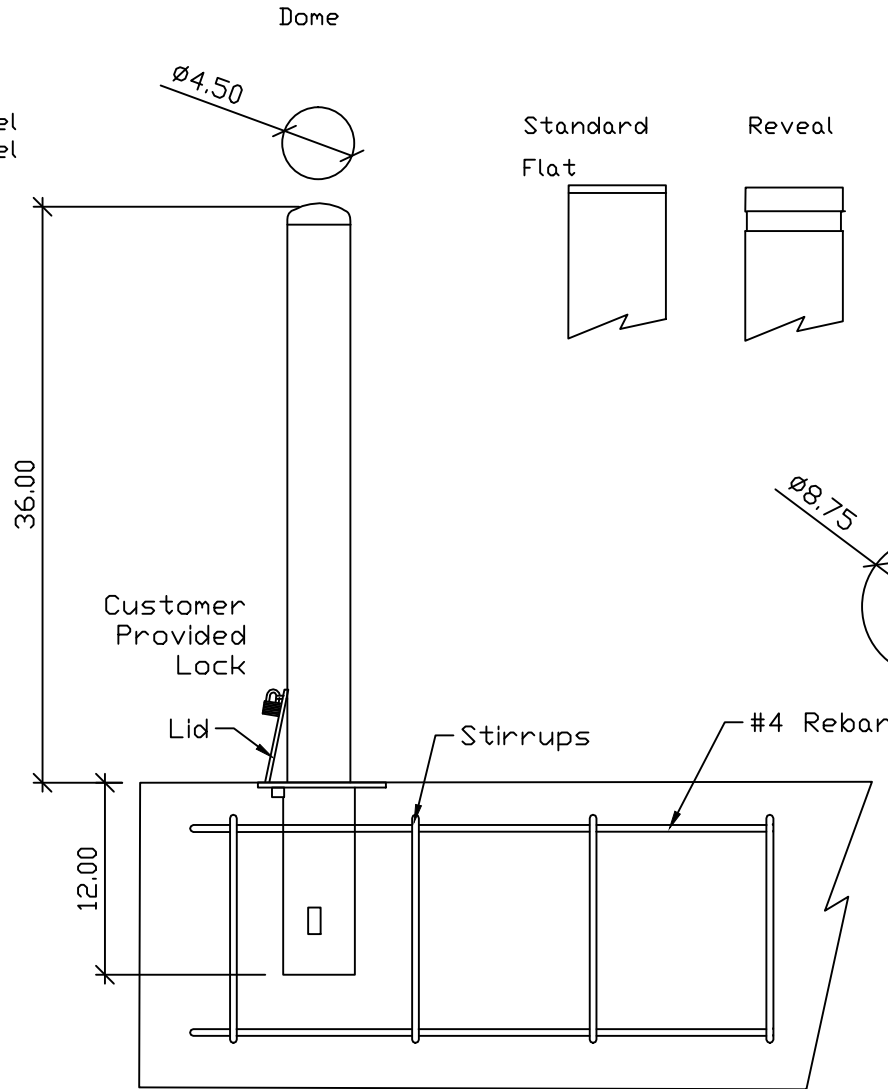
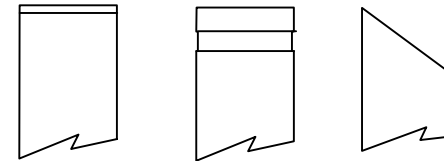
Dome



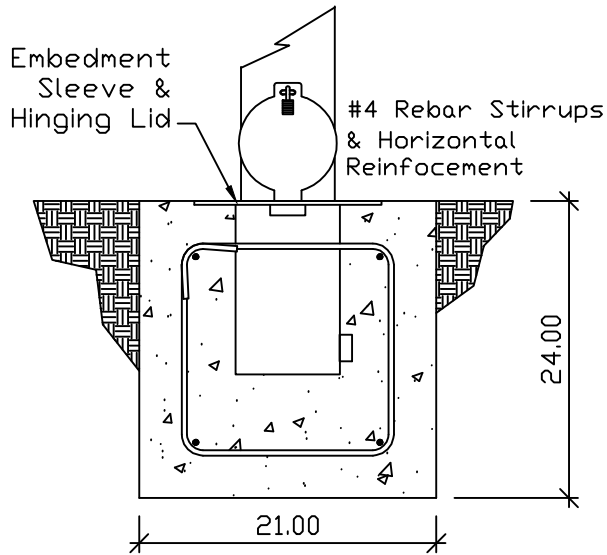
Standard Flat

Reveal

Slope



ELEVATION VIEW - FOUNDATION  
(CONCEPTUAL DESIGN ONLY)



END VIEW - FOUNDATION

SERIES NUMBER:	XX-S040-XX	CAGE CODE:	6NQJ8	SIZE:		DRAWING NUMBER:	4in PL Cutsheet Size A - R1
PRODUCT FAMILY:	FIXED BOLLARD	DRAWN BY:	MJW	DRAWING REV:		CHECKED BY:	
PRODUCT CLASS:	STANDARD OR CUSTOMER DEFINED	PRODUCT LINE:	BOLLARD	SHEET:	1 OF 1	APPROVED BY:	
PRODUCT SUB LINE:	LOCKING	RELEASE DATE:		TITLE:			
1-800-BOLLARDS, Inc. 24370 Northwestern Hwy, Suite 250 Southfield, MI. 48075				BOLLARD, LOCKING			
PHONE: 1-800-BOLLARDS WEB: www.1800BOLLARDS.COM EMAIL: INFO@1800BOLLARDS.COM							

APPLICATION	
NEXT ASSY	USED ON