

OPTIONS

Bollard Material (3" Nominal Size)

- PSS03000 Sch 10 Stainless Steel
- PSS03040 Sch 40 Stainless Steel
- PSS03080 Sch 80 Stainless Steel
- PCS03040 Sch 40 ASTM A-53 Carbon Steel
- PCS03080 Sch 80 ASTM A-53 Carbon Steel

Stainless Steel Bollard Finish

- Polished #4 Finish
- As Specified _____

Carbon Steel Bollard Finish

- Powdercoat RAL # _____
- As Specified _____

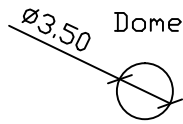
Stainless Steel Bollard Material

- Type 304
- Type 316

Bollard Cap Style

- Dome
- Standard Flat
- Reveal
- Sloped

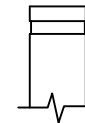
REVISIONS			
LTR	DESCRIPTION	DATE	APPVD



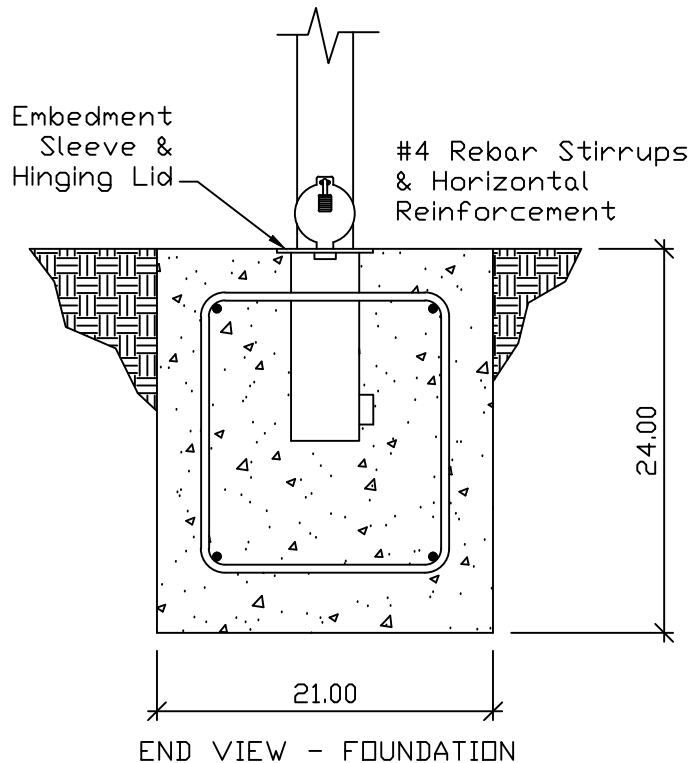
Standard Flat



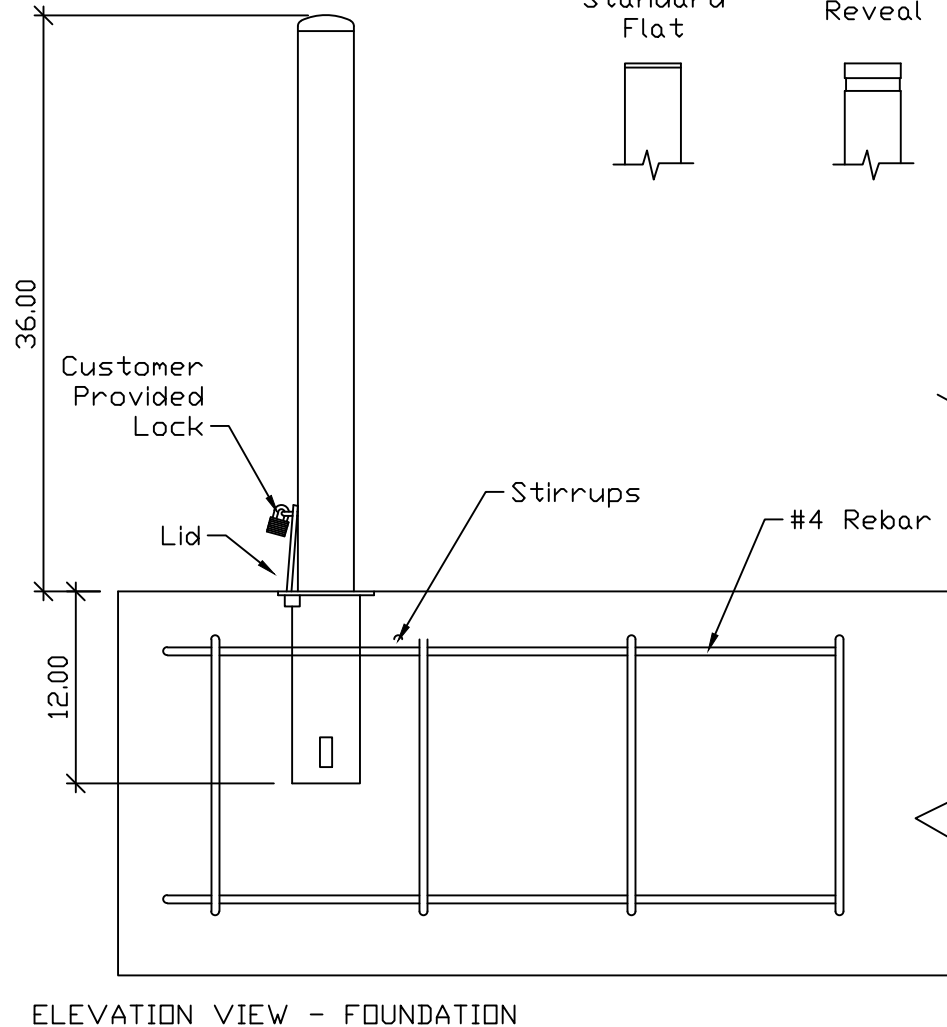
Reveal



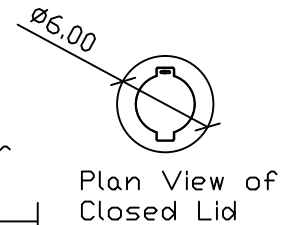
Slope



END VIEW - FOUNDATION



ELEVATION VIEW - FOUNDATION
(CONCEPTUAL DESIGN ONLY)



Plan View of Closed Lid

APPLICATION	
NEXT ASSY	USED ON

SERIES NUMBER: XX-S030-XX	CAGE CODE: 6NQJB	SIZE: 3in CL CUTSHEET SIZE A FORM	DRAWING NUMBER:
PRODUCT FAMILY: FIXED BOLLARD	DRAWN BY: MJW	CHECKED BY:	APPROVED BY:
PRODUCT CLASS: STANDARD OR CUSTOMER DEFINED	PRODUCT LINE: BOLLARD	PRODUCT SUB LINE: LOCKING	RELEASE DATE:
1-800-BOLLARDS, Inc. 24370 Northwestern Hwy, Suite 250 Southfield, MI 48075 PHONE: 1-800-BOLLARDS WEB: WWW.1800BOLLARDS.COM EMAIL: INFO@1800BOLLARDS.COM			TITLE: BOLLARD, LOCKING