

**OPTIONS**

Bollard Material (12" Nominal Size)

- PSS01200 Sch 10 Stainless Steel
- PSS01240 Sch 40 Stainless Steel
- PSS01280 Sch 80 Stainless Steel
- PCS01240 Sch 40 ASTM A-53 Carbon Steel
- PCS01280 Sch 80 ASTM A-53 Carbon Steel

Stainless Steel Bollard Finish

- Polished #4 Finish
- As Specified \_\_\_\_\_

Carbon Steel Bollard Finish

- Powdercoat RAL # \_\_\_\_\_
- As Specified \_\_\_\_\_

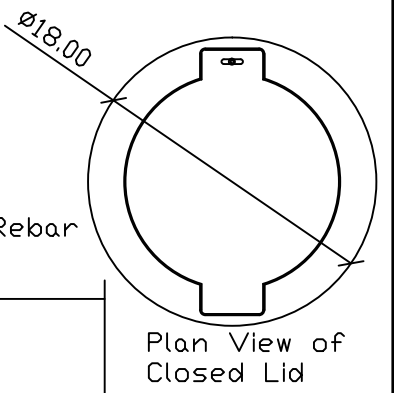
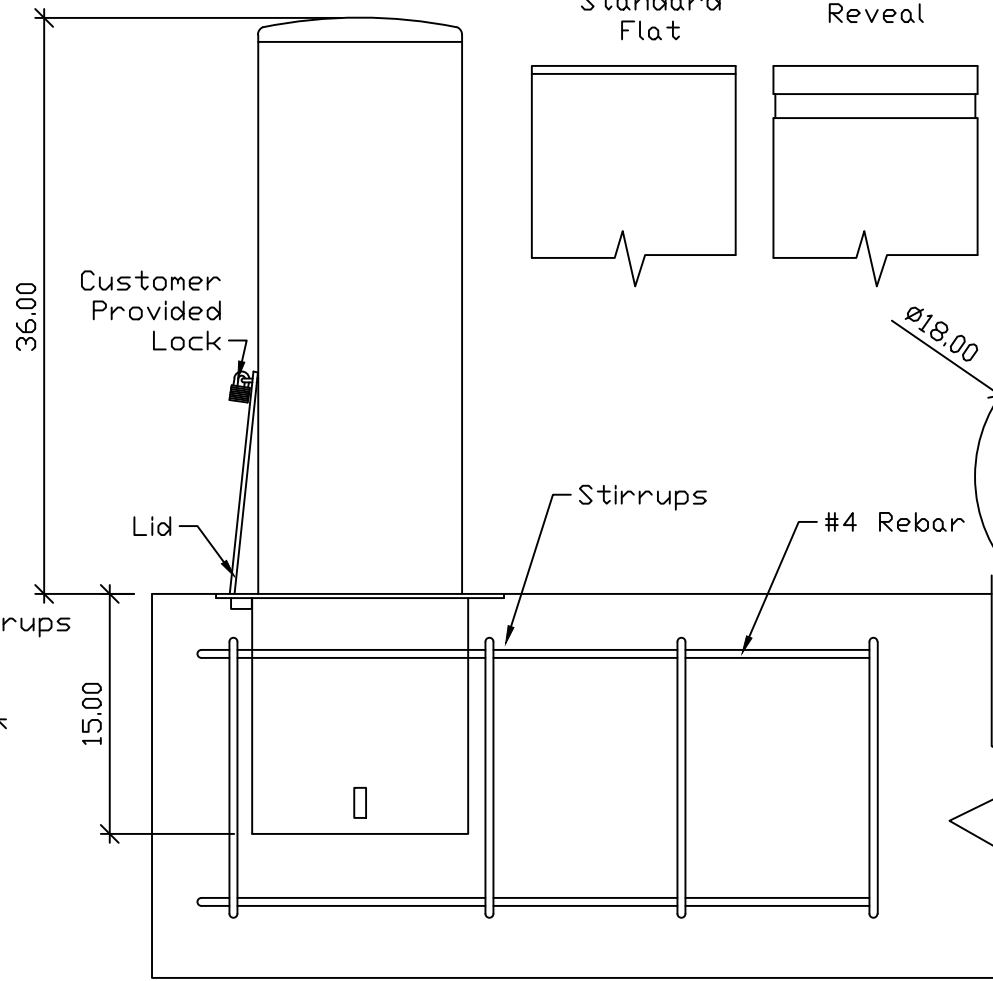
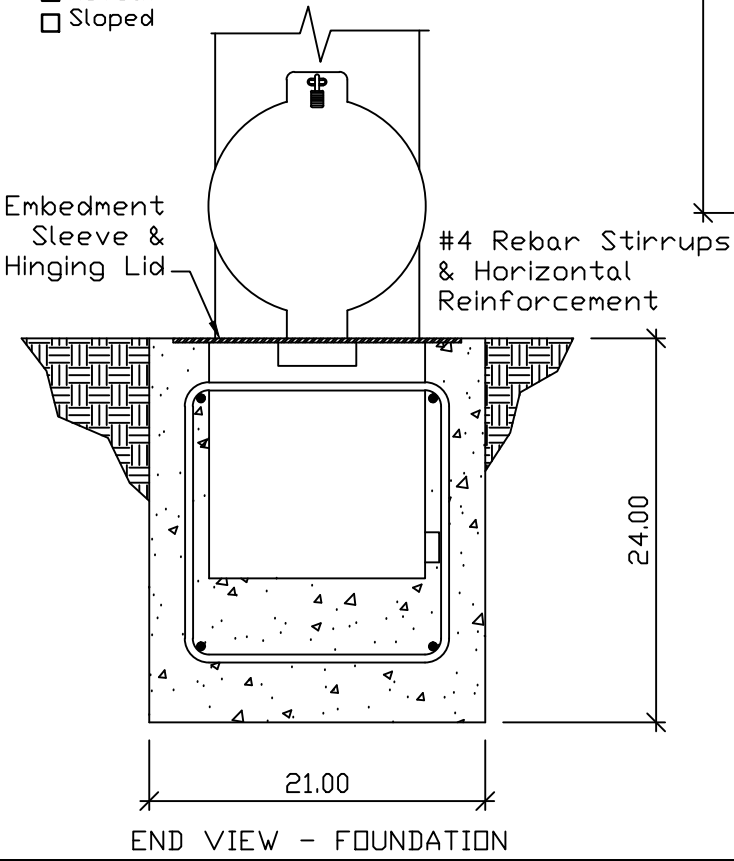
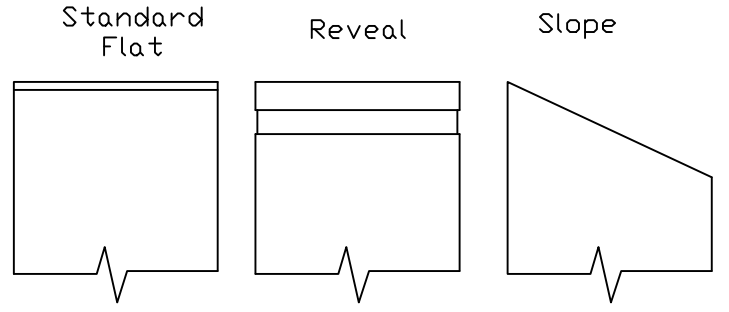
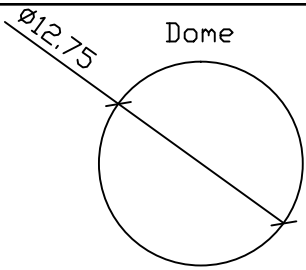
Stainless Steel Bollard Material

- Type 304
- Type 316

Bollard Cap Style

- Dome
- Standard Flat
- Reveal
- Sloped

REVISIONS			
LTR	DESCRIPTION	DATE	APPVD



ELEVATION VIEW - FOUNDATION  
(CONCEPTUAL DESIGN ONLY)

APPLICATION	
NEXT ASSY	USED ON

SERIES NUMBER: XX-S012-XX	CAGE CODE	SIZE	DRAWING NUMBER:
PRODUCT FAMILY: FIXED BOLLARD			12in PL CUTSHEET SIZE A FORM
PRODUCT CLASS: STANDARD OR CUSTOMER DEFINED	DRAWN BY: MJW	DRAWING REV:	
PRODUCT LINE: BOLLARD	CHECKED BY:	SHEET: 1 OF 1	
PRODUCT SUB LINE: LOCKING	APPROVED BY:	RELEASE DATE:	
1-800-BOLLARDS, Inc. 24370 Northwestern Hwy, Suite 250 Southfield, MI. 48075 PHONE: 1-800-BOLLARDS WEB: WWW.1800BOLLARDS.COM EMAIL: INFO@1800BOLLARDS.COM			TITLE: <b>BOLLARD, LOCKING</b>