

**OPTIONS**

Bollard Material (10" Nominal Size)

- RSS01000 Sch 10 Stainless Steel
- RSS01040 Sch 40 Stainless Steel
- RSS01080 Sch 80 Stainless Steel
- RCS01040 Sch 40 ASTM A-53 Carbon Steel
- RCS01080 Sch 80 ASTM A-53 Carbon Steel

Stainless Steel Bollard Finish

- Polished #4 Finish
- As Specified \_\_\_\_\_

Carbon Steel Bollard Finish

- Powdercoat RAL # \_\_\_\_\_
- As Specified \_\_\_\_\_

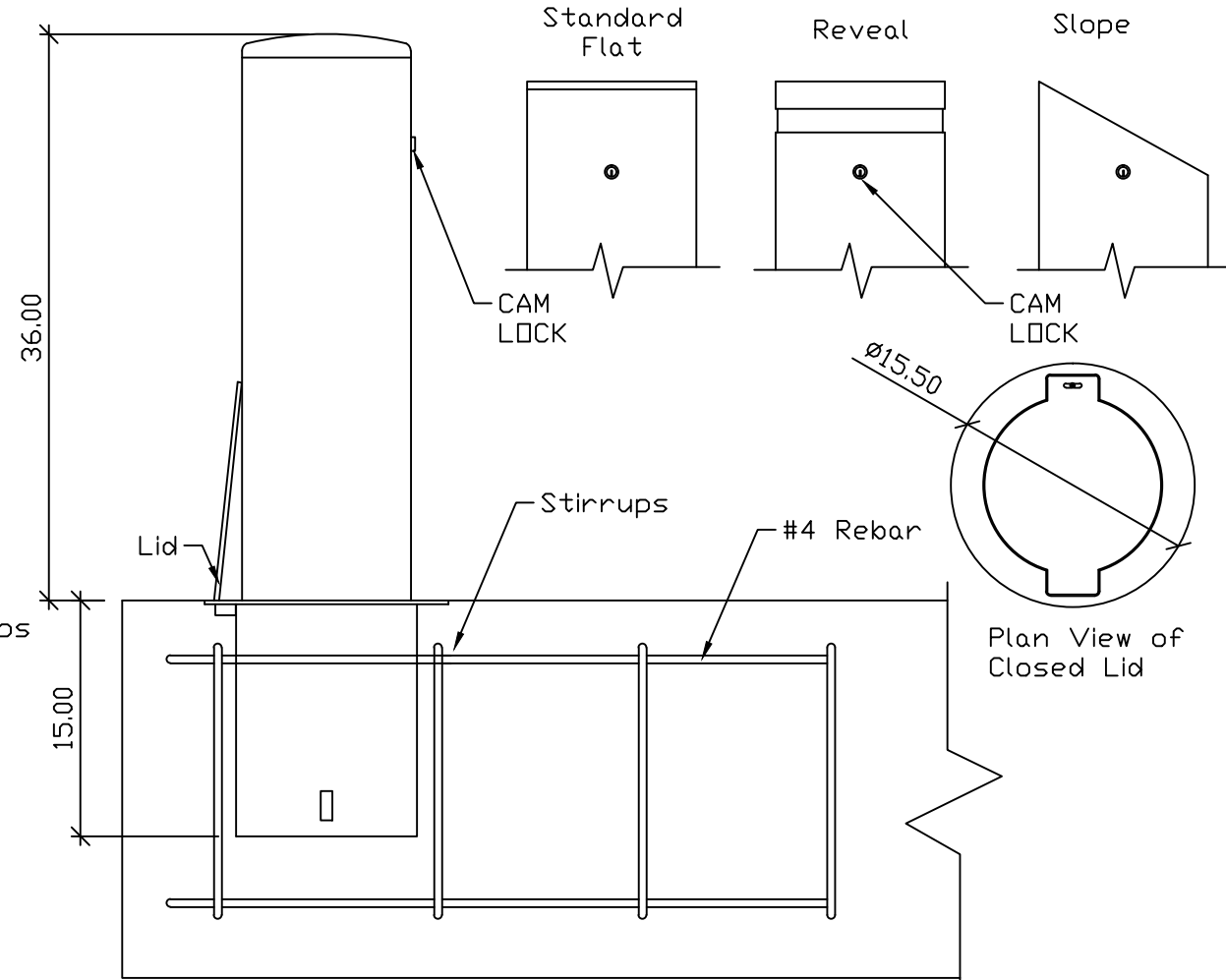
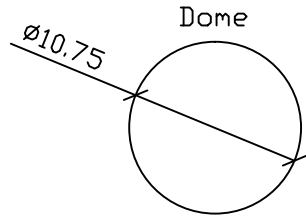
Stainless Steel Bollard Material

- Type 304
- Type 316

Bollard Cap Style

- Dome
- Standard Flat
- Reveal
- Sloped

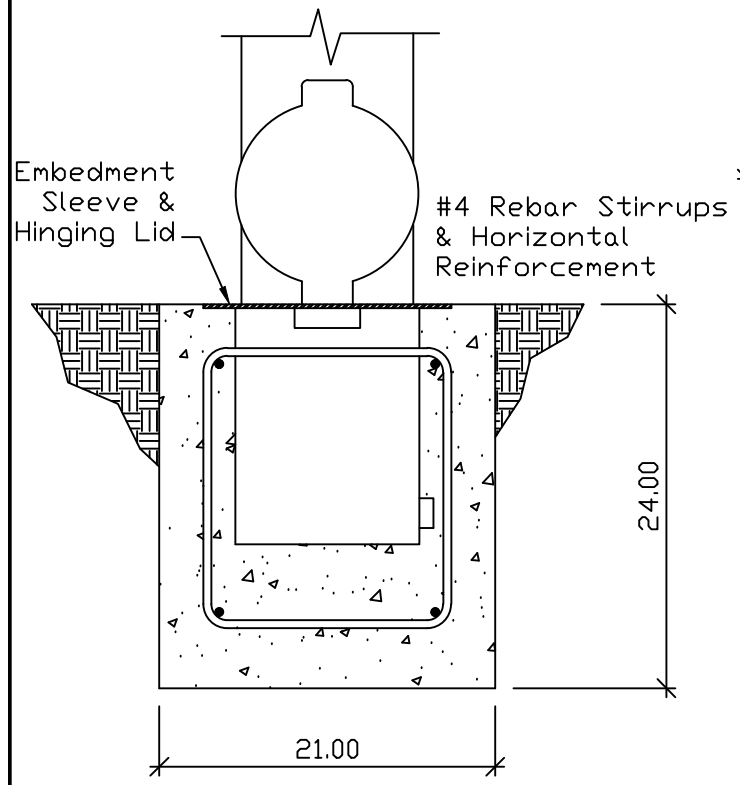
REVISIONS			
LTR	DESCRIPTION	DATE	APPVD



36.00

15.00

24.00



END VIEW - FOUNDATION

ELEVATION VIEW - FOUNDATION  
(CONCEPTUAL DESIGN ONLY)

SERIES NUMBER: XX-S010-XX	CAGE CODE: 6NQJB	SIZE: 10in CL CUTSHEET SIZE A FORM	DRAWING NUMBER:
PRODUCT FAMILY: FIXED BOLLARD	DRAWN BY: MJW	CHECKED BY:	SHEET: 1 OF 1
PRODUCT CLASS: STANDARD OR CUSTOMER DEFINED	APPROVED BY:	RELEASE DATE:	TITLE:
PRODUCT LINE: BOLLARD			BOLLARD, LOCKING
PRODUCT SUB LINE: LOCKING			

APPLICATION	
NEXT ASSY	USED ON

1-800-BOLLARDS, Inc.  
24370 Northwestern Hwy, Suite 250  
Southfield, MI 48075  
PHONE: 1-800-BOLLARDS  
WEB: WWW.1800BOLLARDS.COM  
EMAIL: INFO@1800BOLLARDS.COM